



TM14 SLIM-LINE

Slim and modern design

Individual styling with TM14 Slim-Line

The perfect solution for limited space

The ERMAX TM14 Slim-Line lighting series is ideal for individual modern styling of a vehicle and can be used for both surface mounting and built-in. The TM14 Slim-Line series is in full LED and offers highlights as a narrow, slim-line and modern design suitable for almost all applications – on the trailer as well as on the truck.

Due to the size and the slim design, there are many applications possibilities – especially where there are limited and narrow mounting surfaces.

The TM14 Slim-Line light can be mounted vertically, horizontally, and as high-mounted light – and fits with the various connection possibilities optimally with ERMAX' present cable system.

The stop light can also with advantage be used as high-mounted 3. stop light.



Position light



Stop light



Direction indicator light as standard or
with dynamic direction indicator light

Highlights

- Slim and modern design for practically any application
- Applicable for trailer and truck
- Time saving mounting with 2 poled or 3 poled Super Seal connection
- 5 m open-end versions for long wiring
- Especially suitable for vehicles with limited mounting space
- Various applications – surface mounting, built-in, horizontal and vertical mounting and as high-mounted light
- Ideal as high-mounted 3. stop light.
- Certified according to all relevant standards and regulations in Europe

Flexible and individual styling possibilities

Design the "rear end" according to needs and requirements



Placement of more lights underneath each other means more effect of the nice, modern and progressive indicator light



Beautiful modern progressive direction indicator light

Technical specifications - TM14 Slim-Line Series



Description

Lens: Resistant polycarbonate
 Housing: Resistant polycarbonate
 Measure:
 The lamp itself: 240 x 28 x 16,6 mm
 Built-in: 208 x 23 x 8,4 mm
 Bolt distance: 220 mm / Ø4,6
 Working temperature: -40°C til +65°C
 IP Rating: IP69K

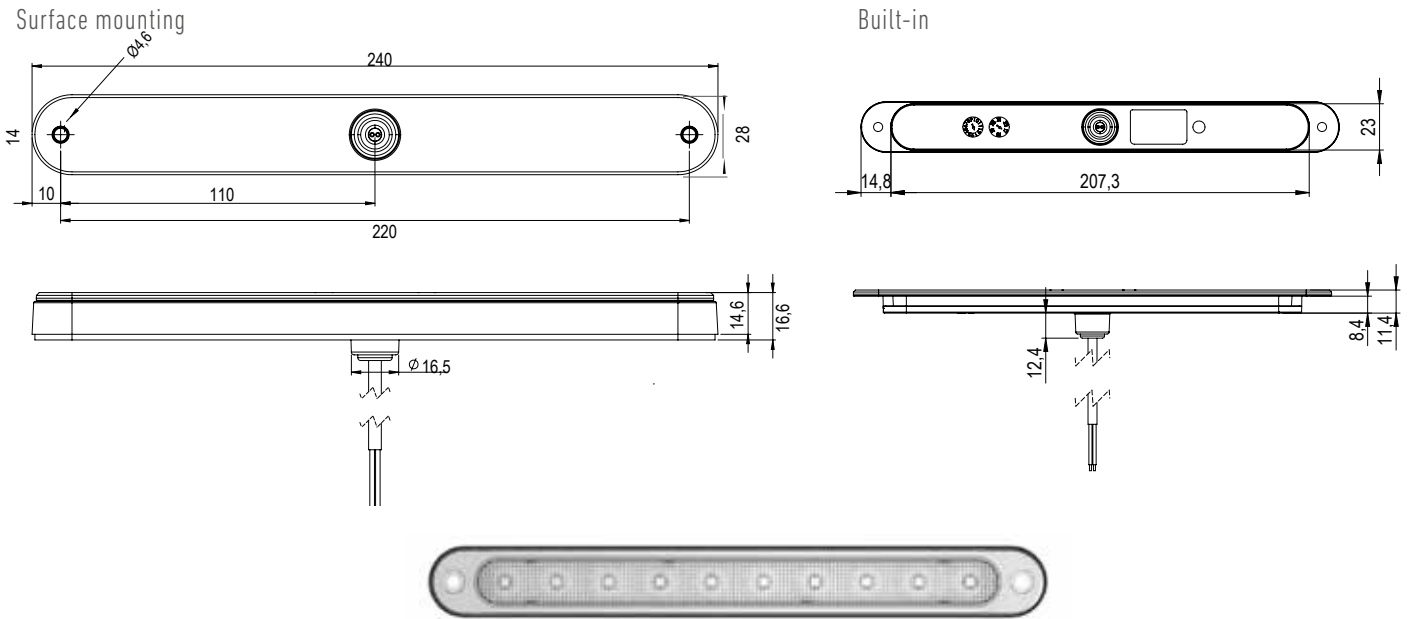
Consumption per light function

Position light: 0,6W
 Stop light: 2,0W
 Indicator light: 0,9W
 Progressive indicator light: 4,0W

* **Bipolar connection**

Operating voltage	Position	Stop	Direction indicator	Progressive direction indicator "NEW"	Connection	Cable length	Pin assignment / wire color per function	Article No.
12/24V	✓	✓			3 poled Super Seal socket	300 mm	1 = Ground 2 = Position light 3 = Stop light	098 212 250
12/24V	✓	✓			Open end	5.000 mm - 3 core	Brown= Ground Blue = Position light Yellow/green = Stop light	098 212 252
12/24V	✓				2 poled Super Seal socket	300 mm		098 200 250
12/24V	✓				Open-end	5.000 mm - 2 core	Brown = Ground Blue= Position light	098 200 252
12/24V		✓			2 poled Super Seal socket	300 mm		098 203 250
12/24V		✓			Open end	5.000 mm - 2 core	Brown = Ground Blue= Stop light	098 203 252
12/24V			✓		2 poled Super Seal socket	300 mm		098 222 250
12/24V			✓		Open end	5.000 mm - 2 core	Brown = Ground Blue= Dir. indicator light	* 098 222 252
12/24V				✓	2 poled Super Seal socket	300 mm		* 098 222 260
12/24V				✓	Open end	5.000 mm - 2 core	Brown = Ground Blue= Dir. indicator light	* 098 222 262

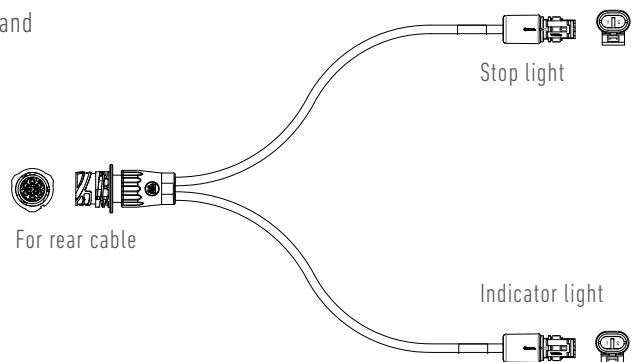
Technical specifications - TM14 Slim-Line Series



Accessories - adapter cable for connecting the TM14 Slim-Line to the rear cable

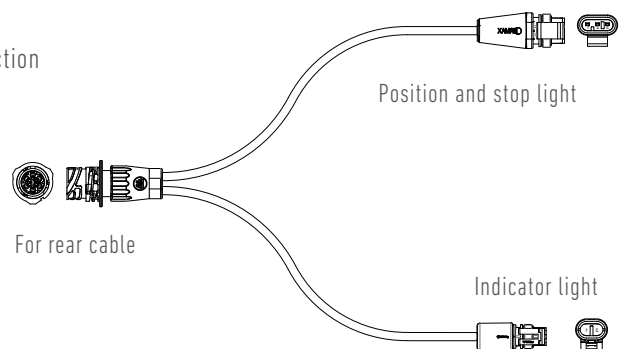
994 003 282 - Adapter cable 300 mm,

7 poled AMP socket > 2 x 2 poled Super Seal plug with outlet for stop- and direction indicator light



994 003 285 - Adapter cable 300 mm,

7-poled AMP socket > 1 x 3 poled Super Seal plug with outlet for position and stop light + 1 x 2 poled Super Seal plug with outlet for direction indicator light



Styling options as further inspiration



Styling TM14 - modern design
with progressive direction
indicator light



Styling TM14 as high-mounted
lights - also with 3rd stop
light function

Styling options on trucks



ERMAX TM14 Slim-Line light series

Slim and modern design for almost all applications - gives the opportunity for individual styling
- limited only by the imagination.



Brands of the BPW Group:



June 2022 • Version 2.0



ERMAX A/S
Vranderupvej 2 • DK-6000 Kolding
Tel. +45 3969 6800 • www.ermax.dk