



# LED Warning Lights - Beacons

Modern design and the highest product quality

# Small, compact and long durability

3 flash patterns all with R65 approval and CISPR 25 class 3 - PREMIUM

## The new warning light from ERMAX

The warning light with LED technology convinces with a modern design and robust construction. The compact design of the series is suitable for all kinds of heavy vehicles, guaranteeing visibility and safety.

Whether single flash, double flash or rotating light, all 3 flash patterns can be set in compliance with R65 – unique in Europe!

The mounting possibilities are either surface mounting or pole mounting/DIN. The warning lights are available with orange or transparent lens.

This series is E-approved according to ECE R65 and also approved with CISPR 25 class 3 and ADR - and due to the high degree of electromagnetic compatibility the warning light can be placed anywhere.



Surface mounting



Pole mounting/DIN



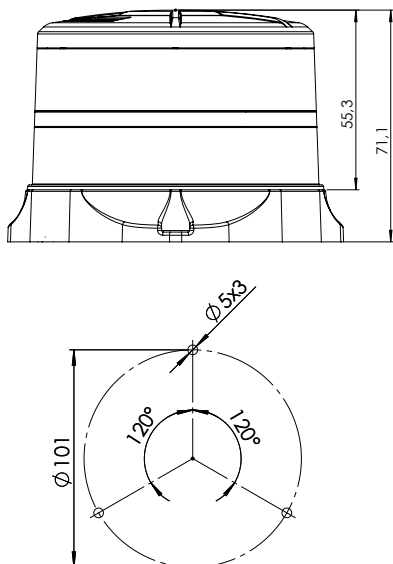
## ERMAX warning lights - Why ?

- 1 Newest light and LED technology**  
Small and powerful, long durability and an optimum signal picture with a small power consumption..
- 2 Unique design**  
Unique reflection design with clear lens and very strong light.
- 3 Long lifetime and durability**  
Impact-resistant lens of polycarbonate and housing top of aluminium.
- 4 3 Flash Patterns approved**  
All 3 flash patterns with high warning effect are ECE R65 compliant - unique in Europe
- 5 Unique availability**  
The compact design offers flexibility in mounting.
- 6 Absorb vibrations**  
The flexible pipe socket avoids damages to the lights by impact or collision.
- 4 2 warning signals**  
Choose between flashing warning signal or rotating warning signal.
- 6 First-class approved quality**  
All products go through our strict quality criteria and testing methods to ensure the high product quality.

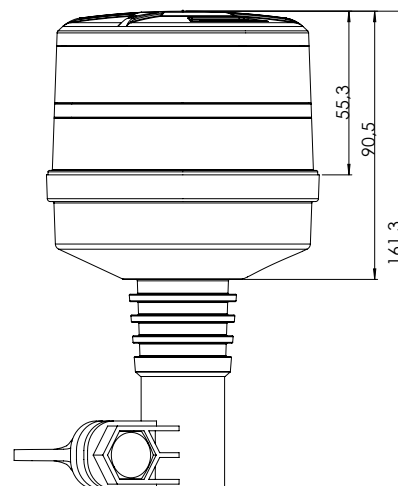
## LED Warning lights 12/24V

Technical details - Premium variants with 3 flash patterns, R65 approval and CISPR 25 class 3

Surface mounting



Pole mounting/DIN



### Description - Surface mounting

Lens:	Impact resistant polycarbonate
Housing:	Impact resistant polycarbonate
Housing top:	Aluminium
Sealing:	EVA
Light colour:	Amber
Measures Ø x H:	Ø115 x 71 mm
Hole pattern:	Ø101 mm / 3 x 87 mm / Ø4,5 mm
Working temperature:	-40°C to +65°C
IP-Rating:	IP6K9K

### Description - Pole mounting/DIN

Lens:	Impact resistant polycarbonate
Housing:	TPE
Housing top:	Aluminium
Light colour:	Amber
Measures Ø x H:	Ø91 x 161 mm
Working temperature:	- 40°C to +65°C
IP-Rating:	IP6K9K

Radio interference (CISPR 25): Klasse 3

ECE R65

EMC

TA1



Mounting	Colour light lens	Connections	Measures	Voltage	Consumption - Max	Flash pattern	Artikel no.
Surface	Transparent glass	500 mm cable open-end Ø6 mm, 3 x 0,75 mm <sup>2</sup>	Ø115 x 71 mm	10-30V	27W	3 (R65)	098 287 200
Surface	Amber glass	500 mm cable open-end Ø6 mm, 3 x 0,75 mm <sup>2</sup>	Ø115 x 71 mm	10-30V	27W		098 287 205
Pole (DIN)	Transparent glass	Integrated plug in the socket, DIN 4165	Ø91 x 161 mm	10-30V	27W	Single 480 ms Double 400 ms Rotating 400 ms	098 287 230
Pole (DIN)	Amber glass	Integrated plug in the socket, DIN 4165	Ø91 x 161 mm	10-30V	27W		098 287 235

## Wenn more flash patterns are needed

### 10 flash patterns - 1 flash pattern with R65 approval - **STANDARD**

These 4 variants have similar characteristics as the premium types – the only difference is that this series has a cover of polycarbonate instead of aluminium and has 10 different flash patterns – of these 1 flash pattern with R65 approval.

The warning lights are available with orange or transparent lens and the mounting possibilities are either surface mounting or pole mounting/DIN, and the series are ADR approved. The two types for surface mounting are delivered with an adapter for Ø130 mm hole configuration.



Surface mounting



Adapter ring



Pole mounting/DIN



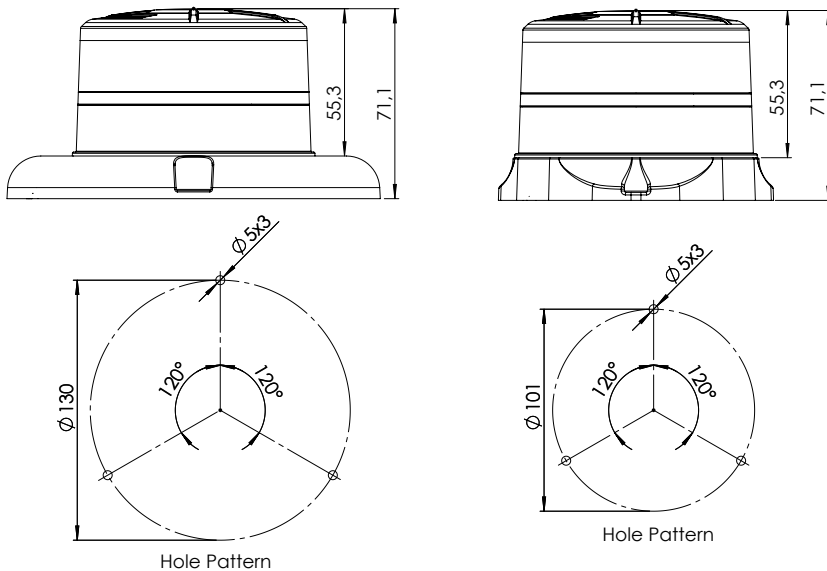
## 10 flash patterns

- \_\_\_ Single flash 480ms (Reg. 65 approved)
- \_\_\_ Single flash 800ms
- \_\_\_ Double flash 400ms
- \_\_\_ Double flash 800ms
- \_\_\_ Triple flash
- \_\_\_ Quad flash
- \_\_\_ ISO-fase flash 400ms
- \_\_\_ ISO-fase flash 800ms
- \_\_\_ Rotating 400ms
- \_\_\_ Rotating 800ms

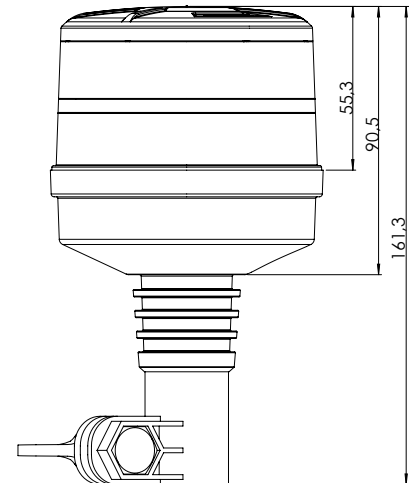
## LED Warning lights 12/24V

Technical details - **Standard** variants with 10 flash patterns

### Surface mounting



### Pole mounting/DIN



#### Description - Surface mounting with adapter ring

Lens: Impact resistant polycarbonate  
 Housing: Impact resistant polycarbonate  
 Housing top: Impact resistant polycarbonate  
 Sealing: EVA  
 Light colour: Amber  
 Measures Ø x H: Ø140 x 71 mm  
 Hole pattern: Ø130 mm / 3 x 112 mm / Ø4,5 mm  
 Working temperature: -40°C to +65°C  
 IP-Rating: IP6K9K

#### Description - Pole mounting/DIN

Lens: Impact resistant polycarbonate  
 Housing: TPE  
 Housing top: Impact resistant polycarbonate  
 Light colour: Amber  
 Measures Ø x H: Ø91 x 161 mm  
 Working temperature: -40°C to +65°C  
 IP-Rating: IP6K9K

ECE R65

EMC



Mounting	Colour light lens	Connections	Measures	Voltage	Consumption	Flash pattern	Artikel no.
Surface	Transperent glass	500 mm cable open-end Ø6 mm, 3 x 0,75 mm <sup>2</sup>	Ø140 x 71 mm	10-30V	23W	See page 4	098 287 250
Surface	Amber glass	500 mm cable open-end Ø6 mm, 3 x 0,75 mm <sup>2</sup>	Ø140 x 71 mm	10-30V	23W		098 287 255
Pole (DIN)	Transperent glass	Integrated plug in the socket, DIN 4165	Ø91 x 161 mm	10-30V	23W		098 287 280
Pole (DIN)	Amber glass	Integrated plug in the socket, DIN 4165	Ø91 x 161 mm	10-30V	23W		098 287 285

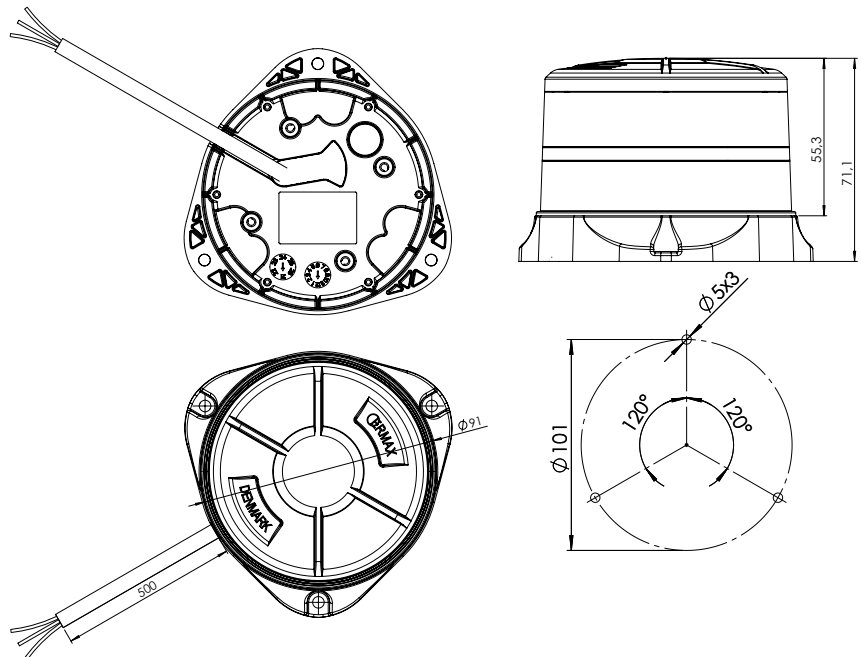
The adapter ring makes it possible to adapt the LED beacon to mounting holes Ø130 mm - Measurements, Ø x H: Ø140 x 16 mm  
 Bolt distance: Ø130 mm / 3 x 112 mm / Ø4,5 mm  
 Material: Polycarbonate

098 292 640

# LED Warning lights 12/24V

## Technical details and flash pattern selection

### Surface mounting



#### Connection:

- Red: Permanent power supply (+)
- Black: Ground (-)
- Yellow: Choose flash pattern / synchronizing

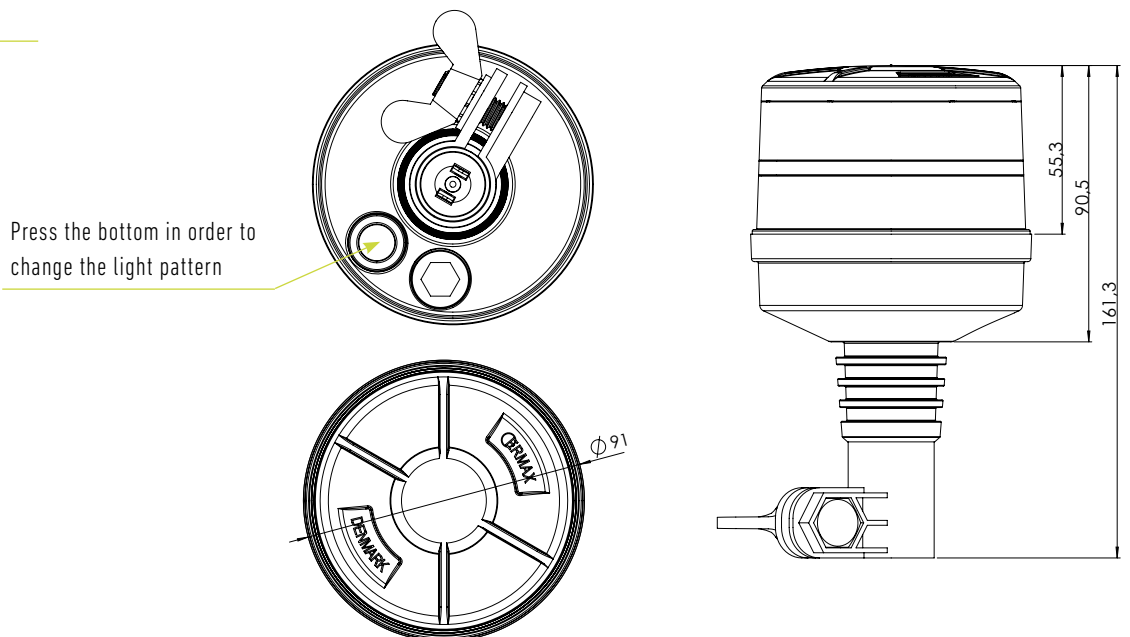
#### Choose flash pattern - Surface mounting

Apply yellow cable to +, hold briefly (0.5-2 sec) and select flash pattern.

To synchronize more lights, all lights must be adjusted to the same flash pattern. Then all yellow cables will be connected to each other.

If the yellow cable is placed at + for more than 2 seconds, the light return to flash pattern 1.

### Pole mounting/DIN



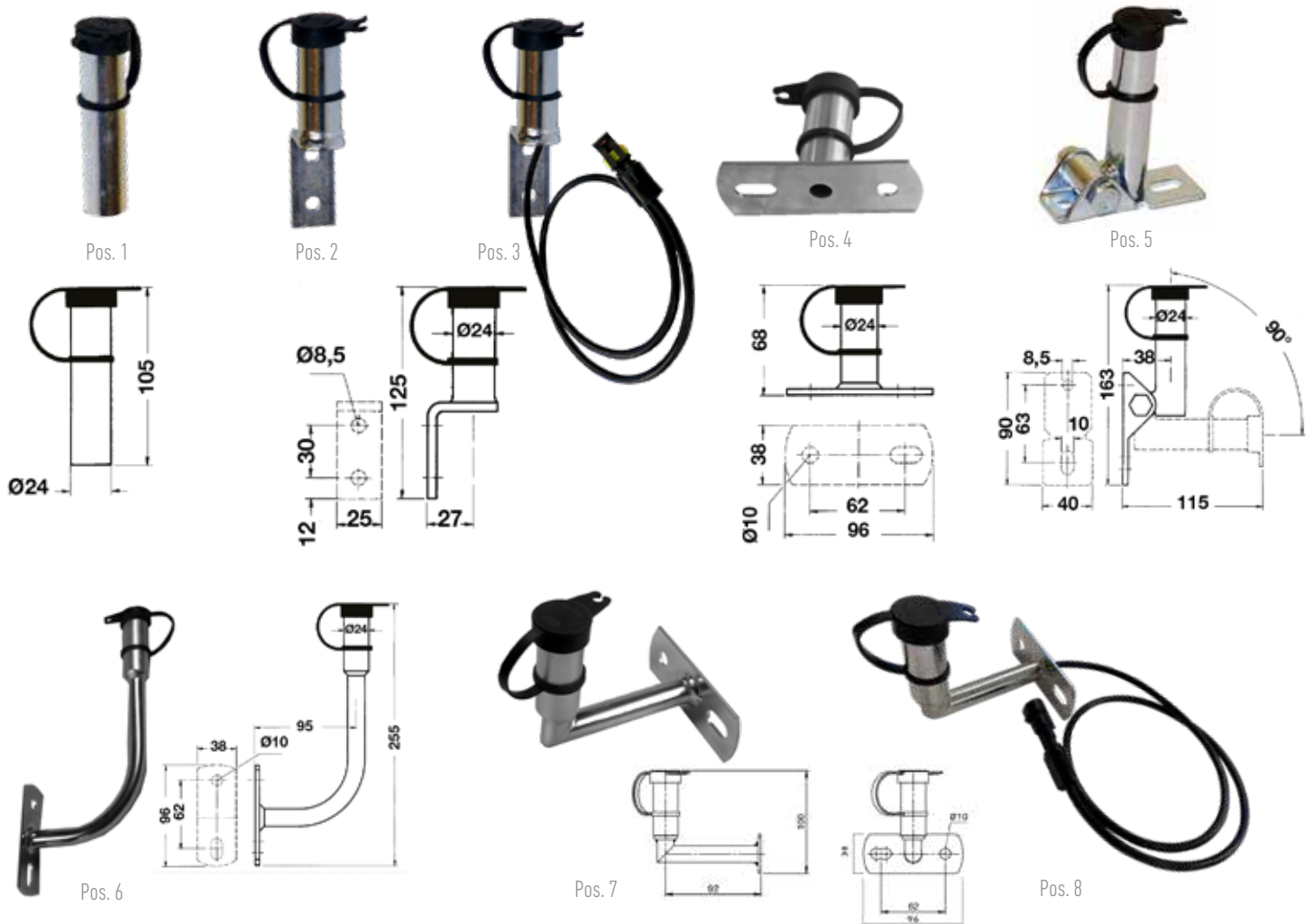
#### Choose flash pattern - Pole mounting/DIN

To choose flash pattern, press the red bottom shortly (0.5 - 2 sec).

If pressed at the red bottom for more than 2 seconds, the light return to flash pattern 1.



## Mounting equipment for Warning beacons



### Galvanized steel tube and with protection cap

DIN Norm	Form	Mounting	Dimension	Connection	Cable	Pos.	Article No.
DIN 72 591	Straight	-	Ø24 x 105 mm	2 poled socket	--	1	098 295 561
DIN 72 591	Straight	Angled bracket	Ø24 x 125 mm	2 poled socket	--	2	098 295 562
DIN 72 591	Straight	Angled bracket	Ø24 x 125 mm	2 poled socket	900 mm cable with Super Seal plug	3	098 295 595
DIN 72 591	Straight	Flush mounting	Ø24 x 128 mm	2 poled socket	--	4	098 295 564
DIN 72 591	Straight	adjustable bracket	Ø24 x 115 mm	2 poled socket	--	5	098 295 567
DIN 72 591	90° angled	Flush mounting	Ø24 x 255 mm	2 poled socket	--	6	098 295 565
DIN 72 591	90° angled	Flush mounting	Ø24 x 100 mm	2 poled socket	--	7	098 295 583
DIN 72 591	90° angled	Flush mounting	Ø24 x 100 mm	2 poled socket	800 mm cable with Super Seal socket	8	098 295 585

Brands of the BPW Group:



August 2022 • Version 2.0



ERMAX A/S  
Vranderupvej 2 • DK-6000 Kolding  
Tel. +45 3969 6800 • [www.ermax.dk](http://www.ermax.dk)