



# LIGHTING SYSTEMS

Flexible solutions for commercial vehicles



## CONTENTS

Introduction - Ermax Lighting Systems	4
Overview and introduction to plug connections	6
Overview plug type, designation & dimension	8
Contact allocation	11
Material- and symbols explanation	14
Tail lights	15
License plate lights	67
Outer end marker lights	73
Marker lights - position & side markers	81
Rear underrun protection bar	89
Reflex reflectors	105
Interior lighting	109
Reverse- and working lights	113
Rear reverse alarm	127
Warning lights	129
Warning beacons	133
SIMAC solutions	143
Cables	147
Wide load marker signs	191
Accessories, cable	199
Junction box	203
Electronic control box	219
Plugs and sockets	227
Cable configuration	235

## ERMAX® - YOUR PARTNER FOR COMPLETE LIGHTING SYSTEMS

### ERMAX A/S

- develops, manufactures and distributes a wide range of products within lighting, junction boxes and cable systems for commercial vehicles and industrial applications.

A unique set-up with a combination of our factory in Denmark and licensed production with our own tools at a number of selected and exclusively certified partners worldwide, offers an extensive, highly competitive and qualitative range of products.

### The Brand - ERMAX®

Founded in 1948 the Ermax® lighting technology has been manufactured for the automotive industry for almost 7 decades.

Ermax is the partner, when it comes to understanding and fulfilling the needs of lighting; with tail lights, warning lights, beacons, side markers or work lights – nowadays bulb, LED as well as in hybrid technologies. These lighting components are being offered within a complete solution concept of ADR approved

cables and, where required, junction boxes as well as mounting hardware. All cable sets are configured with multiple connector types to ensure the best lifetime service ability.

### Why Ermax® Lighting Systems ?

Partnership through quality, reliability and competence.

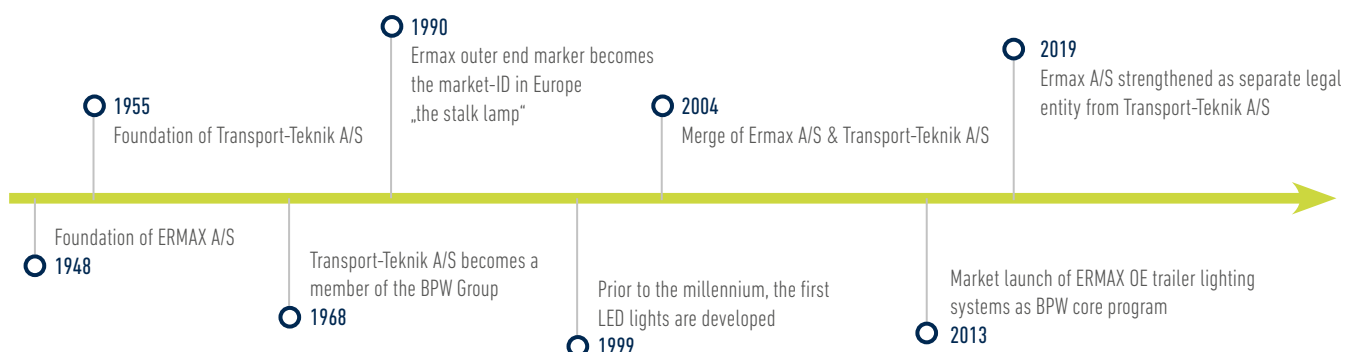
Our competence in partnering with you, is our extensive experience in being an OEM partner with quality and on time delivery as daily focus to ensure expectations and execution match entirely with your requirements.

All our products hold the necessary certifications for E-marking, IP-protection, ADR-approval and design predecions to ensure exclusive design and durability as well as non-violation of patents.

**With reliable and planned processes you will reach your goal safely with us as partner.**



ERMAX A/S, Kolding, Denmark



## DISTRIBUTION NETWORK WORLDWIDE

### Always close to you

As a member of the BPW Group, which operates worldwide, we have an unique sales and distribution network with local offices and support for the benefit of all of our business partners.



## SOLUTIONS - AS INDIVIDUAL AS YOUR TASKS AND REQUIREMENTS

### As ERMAX customer you will achieve the following

- High quality for every area
- Vehicle-customised solutions
- Focus at the newest technology and innovative products with recognisable design
- Production companies with development
- competence under one roof
- Europe-wide after-sales-servicenent

### ERMAX lighting systems

- Wide palette including cables, plugs and lights – all built according to customer requirements
- LED and SIMAC control unit built-in tail light
- ADR approved cable kits with 7 pole AMP 1.5 and Super Seal plugs
- Unbeatable, impact resistant and long life solutions

## ERMAX CABLE SYSTEMS FOR 24V

### Overview and introduction to plug connections

Ermac connections consist of 2 poled, 7 poled and 15 poled connections and plug connections – connections of high quality making it easy and simple to mount and maintain. These connections are used in Ermac cable- and lighting systems for trailer 24V and can be combined according to individual requirements from our customers.

All connections are re-moulded and tested according to IP Rating 69K and ADR approved.

#### 2 poled Super Seal



**2 poled Super Seal plug and socket**  
**Make mounting of position lights, side marking lights, marking lights and other 2 poled components easy and simple.**  
**100% waterproof**

- Easy and simple mounting
- Easy change when damage on the lamp

#### 2 poled Click-in



**2 poled click-in**  
**Makes mounting of position lights, side marking lights, marking lights and other 2 poled components easy and simple.**

- Easy and simple mounting
- Fast positioning
- Time-consuming parts replacement

#### 7 poled AMP 1.5



**7 poled 1.5**  
**Used for connecting Ermac rear lights to the cable system. The plug can be used when connecting other extra equipment as e.g. working lights**

- Rounded off pin-legs
- Extremely durable connection
- Standard plug connection - usual in the market

## 15 poled Ermax Bayonet



### 15 poled bayonet /ADR

Used for connecting front box, main cable and rear cable and e.g. mounting of connection box.

- Rounded off pin-legs
- Extremely durable connection
- Standard plug connection - usual in the market

	Output from the main cable	Side marker	Position light	License plate light	Outline marker	Work light	Reverse light	Interior lighting	Tail light	Reverse light	Junctionbox	Central connection	Rear cable	Interior lighting
2 poled Super Seal	✓	✓	✓	✓	✓	✓	✓	✓			✓			
2 poled Click-in		✓	✓	✓	✓	✓	✓							✓
7 poled AMP 1.5	✓								✓	✓	✓			
15 poled Ermax Bayonet											✓	✓	✓	

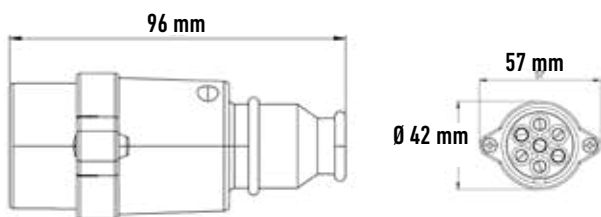
## OVERVIEW - PLUG CONNECTIONS FOR ERMAX OE LIGHTING SYSTEMS

### Plug type, designation and dimension

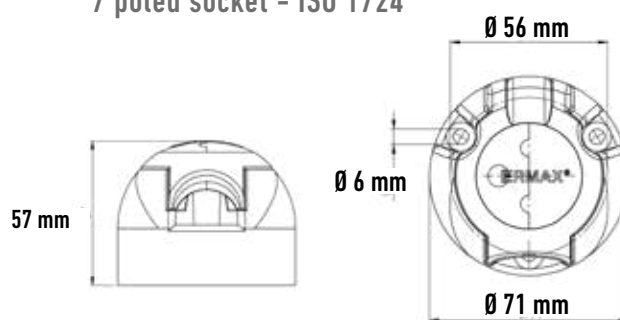
<p><b>2 poled Deutsch connector</b></p>	<p><b>2 poled Deutsch socket</b></p>
<p><b>2 poled Click-in connector</b></p>	<p><b>Click-in cap</b></p>
<p><b>2 poled Super Seal plug</b></p>	<p><b>2 poled Super Seal socket</b></p>
<p><b>7 poled AMP 1.5 plug</b></p>	<p><b>7 poled AMP 1.5 socket</b></p>
<p><b>15 poled Bayonet plug</b></p>	<p><b>15 poled Bayonet socket</b></p>



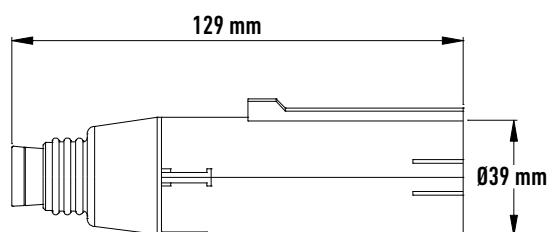
7 poled plug - ISO 1724



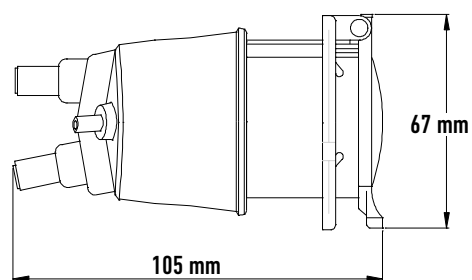
7 poled socket - ISO 1724



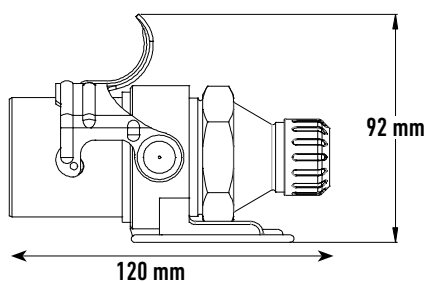
7 poled plug - ISO 3731 / ISO 1185



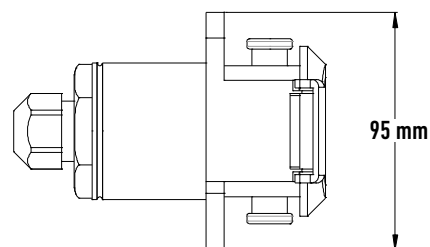
7 poled socket - ISO 3731 / ISO 1185



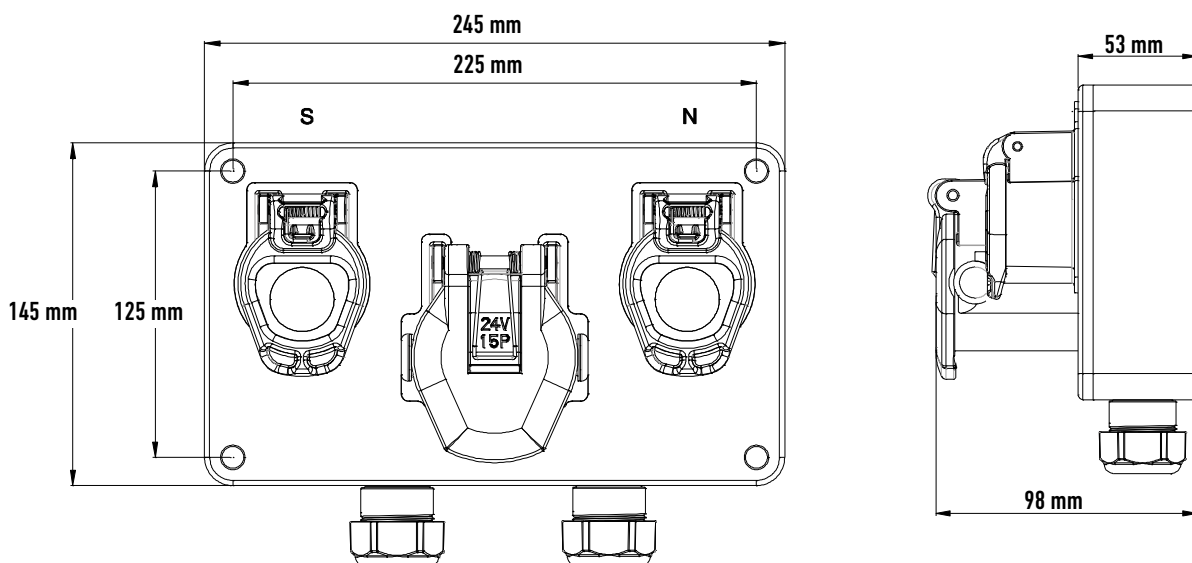
15 poled ADR plug - ISO 12098



15 poled ADR socket - ISO 12098



Frontbox



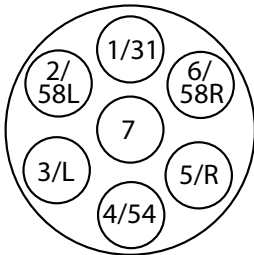


# CONTACT ALLOCATION

---

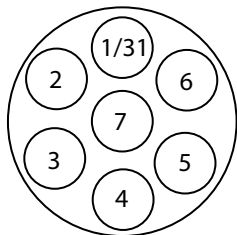


### Pin configuration Type N 24V, 7 poled ISO 1185

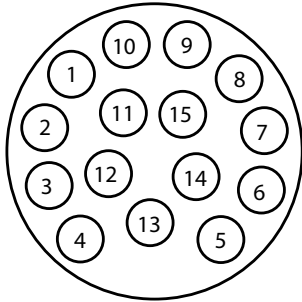
	Colour	Description	
	1 / 31	White	Ground
	2 / 58L	Black	Position light left <sup>1)</sup>
	3 / L	Yellow	Direction indicator left
	4 / 54	Red	Stop light
	5 / R	Green	Direction indicator right
	6 / 58R	Brown	Position light right <sup>1)</sup>
	7	Blue	Aux2 / Stop control for trailer

<sup>1)</sup> The license plate must be connected so that no lights of this illumination have common connection with contact 2 and 6

### Pin configuration Type S 24V, 7 poled ISO 3731


	Colour	Description	
	1 / 31	White	Ground for Pin 9-15 ( ISO 12098 )
	2	Black	No allocation ( CANH, Data communication )
	3	Yellow	Reverse light
	4	Red	Permanent power supply (+)
	5	Green	No allocation ( CANL, Data communication )
	6	Brown	Aux3 / lift axle
	7	Blue	Rear fog light

### Pin configuration 24V, 15 poled ISO 12098

	Colour	Description	
	1	Yellow	Direction indicator left
	2	Green	Direction indicator right
	3	Blue	Rear fog light
	4	White	Ground
	5	Black	Position light left <sup>1)</sup>
	6	Brown	Position light right <sup>1)</sup>
	7	Red	Stop light
	8	Pink	Reverse light
	9	Amber	Permanent power supply (+)
	10	Grey	Aux1 / Brake-wear sensor
	11	White/Black	Aux2 / Stop control for trailers
	12	White/Blue	Aux3 / lift axle
	13	White/Red	Ground for Pin 9-15 ( ISO 12098 )
	14	White/Green	CANH / Data communication
	15	White/Brown	CANL / Data communication

<sup>1)</sup> The license plate illumination must be connected so that no lights of this illumination have a common connection with contract nr. 5 and


### Pin configuration Ermax 15 poled bayonet plug

	Colour	Description
	1	Black Position light left
	2	Yellow Direction indicator left
	3	Red Stop light
	4	White/Green CANH / Data communication
	5	White Ground
	6	Pink Reverse light
	7	White/ Black Aux2 / Stop control for trailers
	8	White/Red Ground for Pin 9-15 ( ISO 12098 )
	9	amber Permanent power supply (+)
	10	Blue Rear fog light
	11	Grey Aux1 / Brake-wear sensor
	12	White/Brown CANL / Data communication
	13	Brown Position light right
	14	White/Blue Aux3 / lift axle
	15	Green Direction indicator right


### Pin configuration 7 poled AMP plug

	Colour	Description
	1	White Ground
	2	Green Position light
	3	Brown Reverse light
	4	Yellow Indicator
	5	Red Stop light
	6	Blue Rear fog light
	7	- -

### Pin configuration Deutsch (DT2) plug 2 poled

	Colour	Description
	1	Blue Permanent power supply (+)
	2	Brown Ground (-)

### Pin configuration Super Seal plug 2 poled

	Colour	Description
	1	Brown Ground (-)
	2	Blue Permanent power supply (+)

## Material- and symbol explanation Ermax lighting

Material explanation	
PP	Polypropylene. The maximum working temperature is 80-90°C. Melting point 165°
PC	Impact resistant polycarbonat. The maximum working temperature is 135°C Melting point 300°C
PMMA	Acrylic plastic (polymethylmethacrylate) The maximum working temperature is 70-110 °C. Melting point 160°
ABS	Termoplast - Black plastic The maximum working temperature is 80-105°C

Symbol explanation	
	ECE Approved
	ECE Approved R65
	Electromagnetic test according to R10
	CE Approved
	ADR/GGVS - Approved for use on vehicles carrying dangerous goods
	Meets guidelines for the use of retro reflective safety markings on heavy vehicles
XA1 / XA2	X - Direction flashing unit A - Amber 1 - Class 1 2 - Class 2

# TAIL LIGHTS

---



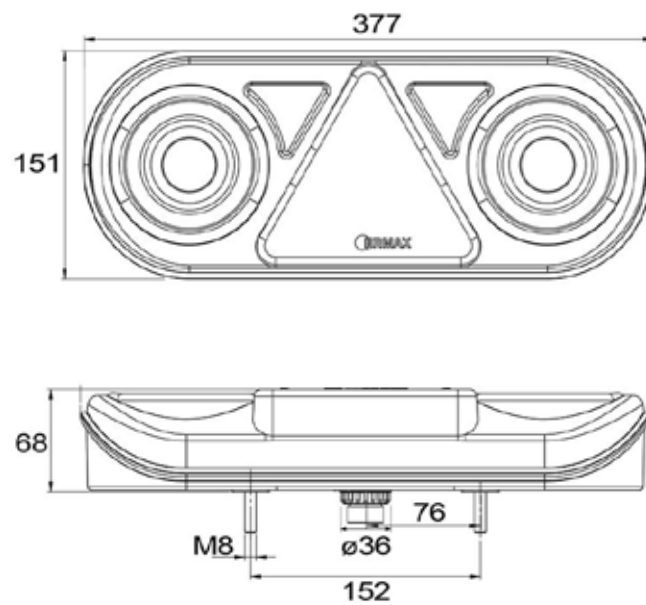
## TM1 LED Tail lights 24V



Pos.1



Pos. 2



## Description

Lens:	PMMA
Housing:	ABS
Dimension:	380 x 150 x 70 mm
Bolt hole distance:	152 mm / M8



## TM1 LED Tail lights 24V



Operation voltage	IP Rating	Left ← Right →	Position Stop Dir. indicator Reverse Rear fog Reflex reflector	License plate	Side marker	Outer end marker	Connection 7 poled AMP socket	Pos.	Article No.
24V	IP69K	←	✓				✓	1	<b>098 216 701</b> 92.0000.1515
24V	IP69K	→	✓				✓	1	<b>098 216 702</b> 92.0000.1516
24V	IP69K	←	✓	✓	✓		✓	1	<b>098 216 707</b> 95.0000.0001
24V	IP69K	→	✓	✓	✓		✓	1	<b>098 216 708</b> 95.0000.0084
24V	IP69K	←	✓			✓	✓	2	<b>098 216 713</b> 92.0000.1519
24V	IP69K	→	✓			✓	✓	2	<b>098 216 714</b> 92.0000.1520

## Spare parts



Pos. 1



Pos. 2

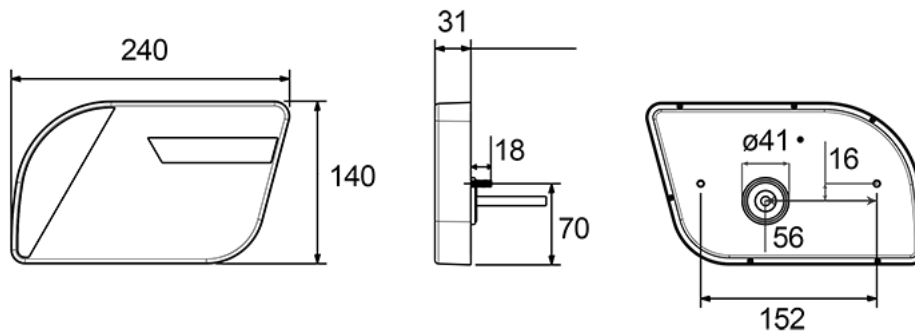


Pos. 3

Protection cover for tail lights		1	<b>098 296 710</b> 92.0000.6877
LED Outer end marker – left		2	<b>098 241 470</b> 92.0000.7347
LED Outer end marker - right		3	<b>098 241 471</b> 92.0000.7348

### TM3 LED Tail lights with Eternal Light™ 12/24V

Ⓔ EMC

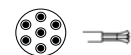


#### Description

Position light with Eternal Light™

Lens: Polycarbonate  
 Housing: ABS  
 Dimension: 240 x 140 x 31 mm  
 Bolt distance: 152 mm / M6

\*) NB - The covers 098296710 are not to be used in combination with angled 7-pin connectors.  
 By use of covers, please choose straight 7-pin connectors



Operating voltage	IP Rating	Left ← Right →	Position Stop Dir. indicator	Reverse Rear fog Reflex reflector	Connection	Cable length	Article No.
12/24V	IP69K	→	✓	✓	7 poled AMP socket		<b>098 215 235 *</b> 92.0000.5463
12/24V	IP69K	←	✓	✓	7 poled AMP socket		<b>098 215 237 *</b> 92.0000.5464

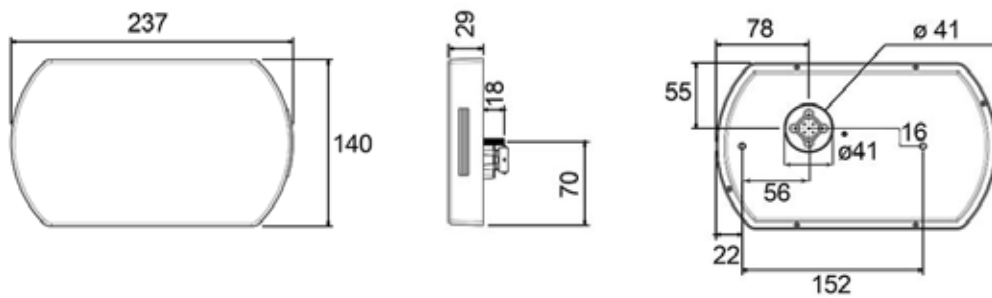
**TM9 LED Tail lights 12/24V**



Left



Right



**Description**

Lens: Polycarbonate  
 Housing: ABS  
 Dimension: 237 x 140 x 29 mm  
 Bolt distance: 152 mm / M6

\*) NB - The covers 098296710 are not to be used in combination with angled 7-pin connectors.  
 By use of covers, please choose straight 7-pin connectors



Operating voltage	IP Rating	Left ← Right →	Position Stop	Reverse	Rear fog	License plate	Reflex reflector	Connection 7 poled AMP socket	Article No.
12/24V	IP69K	←	✓		✓	✓	✓	✓	<b>098 215 171 *</b> 92.0000.6619
12/24V	IP69K	→	✓	✓		✓	✓	✓	<b>098 215 173 *</b> 92.0000.6620

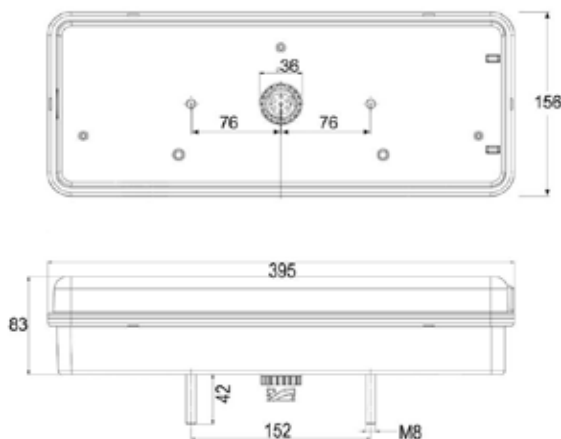
TM10 Hybrid or Full-LED Tail lights 24V - for trailer



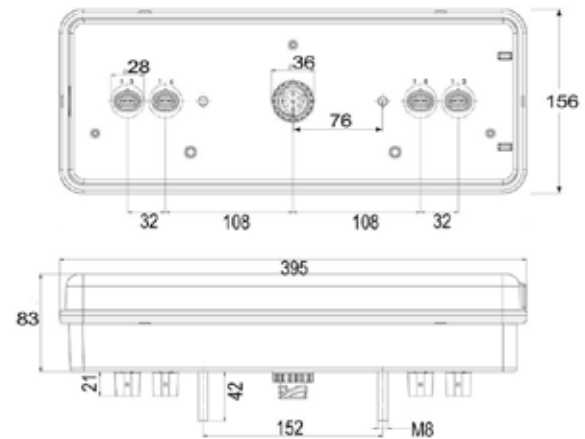
Hybrid



Full-LED

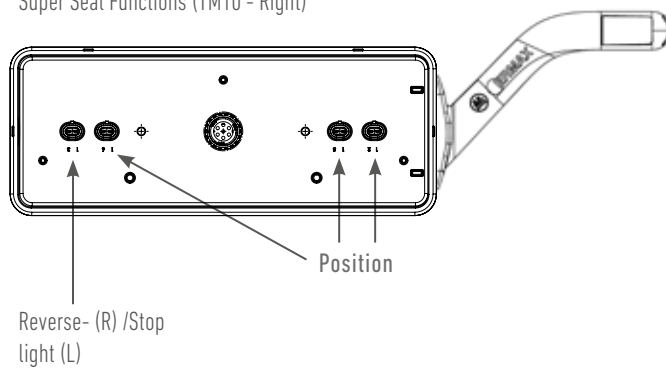


AMP socket placed at the back



AMP socket and 2x2 Super Seal placed at the back

Super Seal Functions (TM10 - Right)



Ex: TM10 with outer end marker light, screw mounted on the side  
098 216 430 / 431  
098 216 530 / 531

Description

Lens:	Impact resistant polycarbonate
Housing:	Polypropylen (PP)
Dimension:	390 x 155 x 80 mm
Bolt distance:	152 mm / M8

\*) Super Seal Functions for 3 x Position light, 1 x Stop (L) & Reverse (R)

**Outer end marker** (098 241 438 / 098 241 439 (R/L) ) with 300 mm connection cable and Super Seal plug are mounted at the side of the tail light. This allows the outer end marker to be connected to the tail lights or the rear cable with the Super Seal connection.



## TM10 Hybrid or Full-LED Tail lights 24V - for Trailer



Type	Operating voltage	IP Rating	Right → Left ←	Position Stop Dir. indicator Reverse Rear fog Side marker Reflex reflector	License plate	Outer end marker	Connection 7 poled AMP socket Direction:	2x2 Super Seal Placed at the back*	Article No.
Hybrid	24V	IP54	→	✓			Rear		<b>098 216 400</b> 92.0000.6367
Hybrid	24V	IP54	←	✓			Rear		<b>098 216 401</b> 92.0000.6368
Hybrid	24V	IP54	→	✓	✓		Rear		<b>098 216 402</b> 92.0000.6369
Hybrid	24V	IP54	←	✓	✓		Rear		<b>098 216 403</b> 92.0000.6370
Hybrid	24V	IP54	→	✓			Rear	✓	<b>098 216 404</b> 92.0000.6371
Hybrid	24V	IP54	←	✓			Rear	✓	<b>098 216 405</b> 92.0000.6372
Full-LED	24V	IP54	→	✓			Rear		<b>098 216 500</b> 92.0000.6383
Full-LED	24V	IP54	←	✓			Rear		<b>098 216 501</b> 92.0000.6384
Full-LED	24V	IP54	→	✓	✓		Rear		<b>098 216 502</b> 92.0000.6385
Full-LED	24V	IP54	←	✓	✓		Rear		<b>098 216 503</b> 92.0000.6386
Full-LED	24V	IP54	→	✓			Rear	✓	<b>098 216 504</b> 92.0000.6387
Full-LED	24V	IP54	←	✓			Rear	✓	<b>098 216 505</b> 92.0000.6388
Full-LED	24V	IP54	→	✓	✓		Rear	✓	<b>098 216 506</b> 92.0000.6389
Full-LED	24V	IP54	←	✓	✓		Rear	✓	<b>098 216 507</b> 92.0000.6390
Full-LED	24V	IP54	→	✓		45° (Long)	Rear	✓	<b>098 216 530</b> 92.0000.7790
Full-LED	24V	IP54	←	✓		45° (Long)	Rear	✓	<b>098 216 531</b> 92.0000.7791

## Spare parts TM10 Hybrid or Full-LED Tail lights 24V - trailer



Pos. 1



Pos. 2



Pos. 3

### Spare parts / Accessories

Lens, Right	1	<b>098 296 354</b> 92.0000.6640
Lens, Left	1	<b>098 296 355</b> 92.0000.6641
Protection cover for tail light	2	<b>098 296 710</b> 92.0000.6877
LED Outer end marker 12/24V, Right - 300 mm connection cable with Super Seal plug	3	<b>098 241 438</b> 92.0000.6355
LED Outer end marker 12/24V, Left - 300 mm connection cable with Super Seal plug	3	<b>098 241 439</b> 92.0000.6356

## TM11 LED Tail lights 12/24V

### Tail light for Standard vehicles

Modern light- and LED-Technology

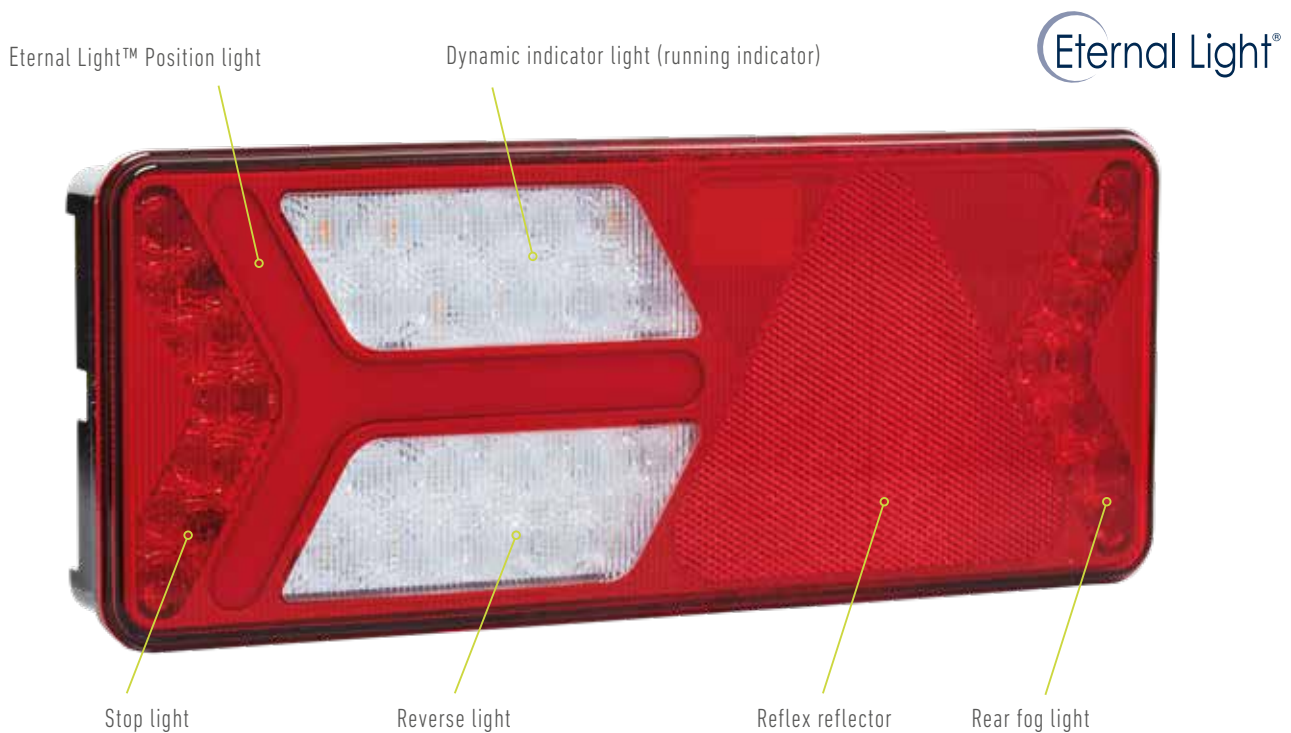
#### The compact and modern 7-function tail light from ERMAX

As highlights the full-LED tail light from Ermax offers a thin design, modern dynamic indicator light, impact-resistant lens and integration of all legal control units.

The intelligent and up to date control unit of the Ermax TM11 makes the universal connection of the tail light to any truck wanted possible – without failure warnings. This is also valid for the indicator failure control – and the brake light control.

The indicator light function in the side markers, lights simultaneously with the tail light according to ECE 48. This function is fully integrated in the TM11 tail light.

Superior durability, modern functionality and a modern design, come together in the Ermax TM11 tail light and making it a real highlight.

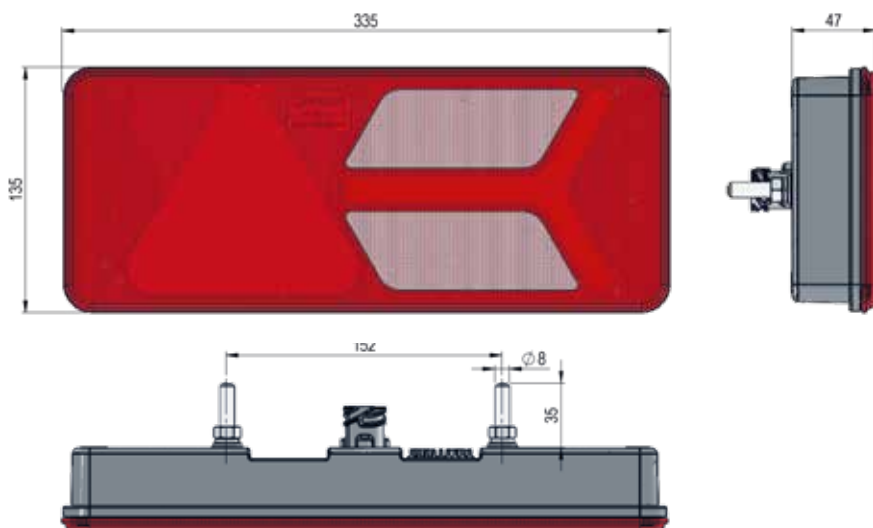


#### Highlights

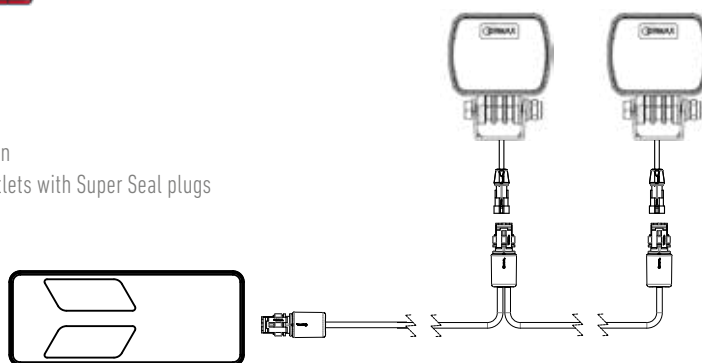
- Unbreakable - Impact resistant lens of polycarbonat
- Multi voltage 12/24V
- Modern dynamic indicator light (running indicator)
- Built-in indicator failure control according to ECE 48 - compatibel with all brands and year of EU Trucks\*
- Built-in stop light failure control according to ECE 48 - compatibel with all brands and year of EU Trucks\*
- Built-in control of flashing side marker lights (SIMAC®) according to ECE 48 supp. 06 (Since nov. 2017)
- Certified in accordance with all relevant standards and regulations in Europe

\* Stand 2018

TM11 Tail lights 12/24V - Full-LED for trailer



Reverse light connected as a chain  
 - side cable with 1 inlet and 2 outlets with Super Seal plugs



2 pieces of Ermax reverse lights or work lights are allowed to be connected to an Ermax tail light (Max 52W)

**Description**

Lens:	Impact resistant polycarbonate
Direction indicator:	Progressive direction indicator light (running indicator)
Housing:	Impact resistant polycarbonate
Dimension:	335 x 135 X 47 mm
Bolt distance:	152 mm / M8
IP Rating:	IP69K

\*) Super Seal Functions for 3 x position light incl. SIMAC, 1 x Stop (L) & Reverse (R)



### TM11 Tail lights 12/24V - Full-LED for trailer



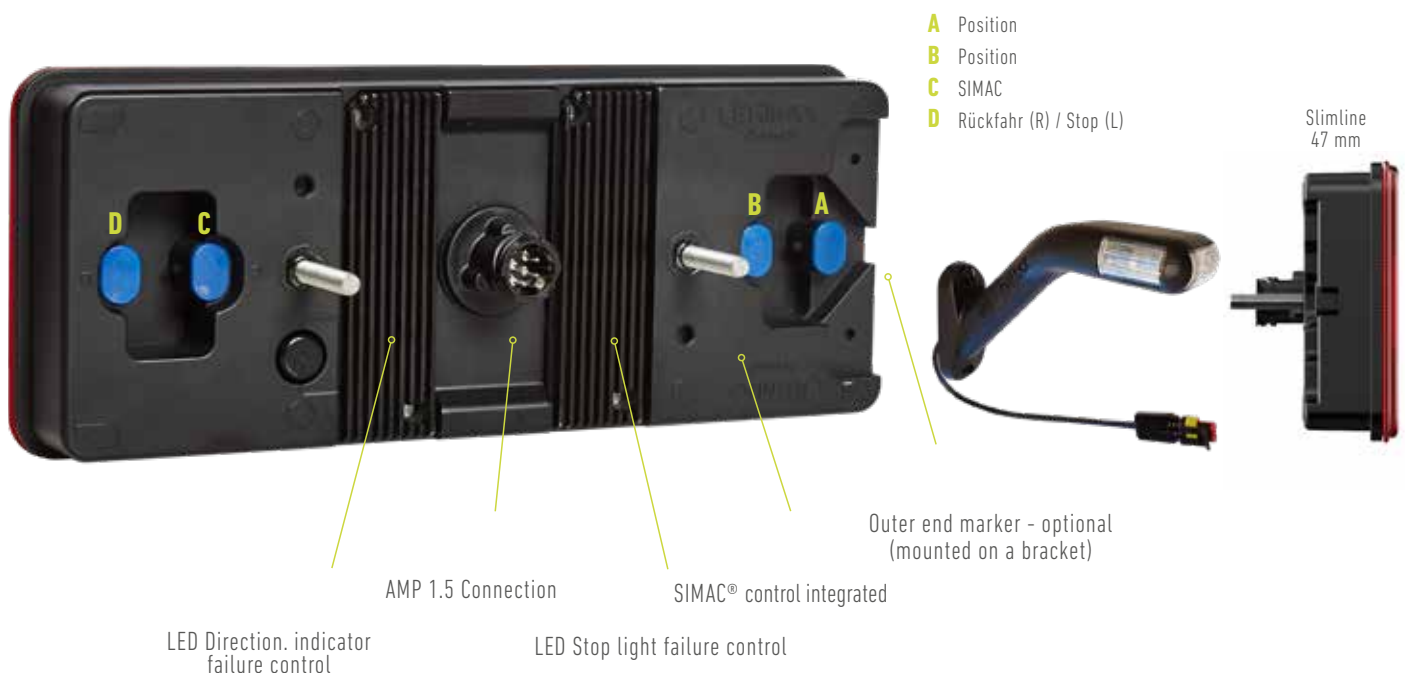
Type	Right → Left ←	Position Stop Dir. indicator Reverse Rear fog Reflex reflector	Outer end- marker	Connection 7 poled AMP socket Direction:	2x2 Super Seal Placed at the back*	SIMAC control integrated	LED control integrated	Article No.
Full-LED	→	✓	Optional	Rear	✓	✓	--	<b>098 216 550</b> 92.0000.7653
Full-LED	←	✓	Optional	Rear	✓	✓	--	<b>098 216 551</b> 92.0000.7655
Full-LED	→	✓	Optional	Rear	✓	✓	Dir. indicator light	<b>098 216 552</b> 92.0000.7657
Full-LED	←	✓	Optional	Rear	✓	✓	Dir. indicator light	<b>098 216 553</b> 92.0000.7659
Full-LED	←	✓	Optional	Rear	✓	✓	Dir. indicator- & Stop light	<b>098 216 555</b> 92.0000.7661
Full-LED	→	✓	300 mm		✓	✓		<b>098 216 558</b> 92.0000.8122
Full-LED	←	✓	300 mm		✓	✓		<b>098 216 559</b> 92.0000.8123

**PREMIUM:** 098 216 552 (R) & 098 216 555 (L) SIMAC, LED

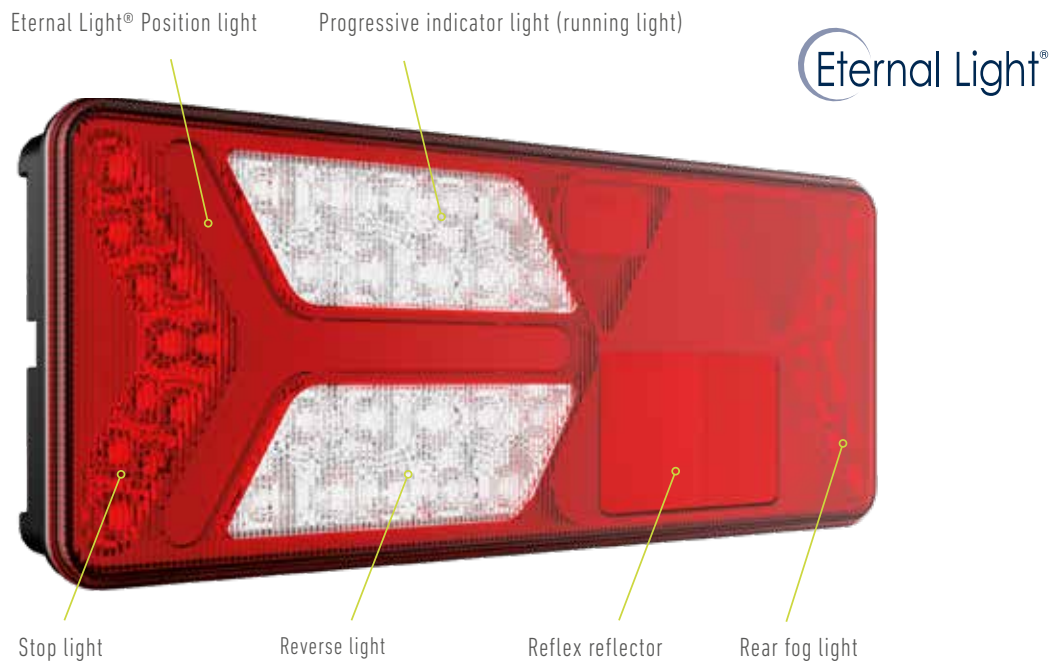
### Outer end marker are optional

and can be mounted at any version afterwards

Article no. suitable for outer end marker is 098 241 448 / 098 241 449 (R/L). The outer end marker is mounted at a holder and the Super Seal plug at the outer end marker is mounted at the back of the tail light in the Super Seal socket



## TM11 Tail light 12/24V - LED for Truck



Type	Right → Left ←	Position Stop Dir. indicator Reverse Rear fog Reflex reflector	Outer end marker	Connection 7 poled AMP socket Direction:	2x2 Super Seal placed at the back*	SIMAC control integrated	LED control integrated	Article no.
------	-------------------------	---	------------------	---	--	--------------------------------	------------------------------	-------------

LED	→	✓	Optional	Rear	✓	✓	Optional	<b>098 216 570</b> 92.0000.8181
LED	←	✓	Optional	Rear	✓	✓	Optional	<b>098 216 571</b> 92.0000.8182

### LED failure control for monitoring of direction indicator and/or stop light is optional

Some vehicles can be reprogrammed to use LED tail light, whereas other vehicles do not offer this facility. In these cases, using ERMAX LED failure control, it is possible to achieve the correct settings, and still meet all regulations.

The truck version of ERMAX TM11 tail lights is already prepared for integrating the LED failure control of the direction indicator and stop light functions. One LED failure control unit (098298149) pr. lighting function should be mounted in each of the ERMAX TM11 tail lights. One unit for direction indicator light, if the direction indicator light is not recognized by the truck. Two units, if both lighting functions are not recognized by the truck.



+



LED control for direction indicator and stop light

LED control unit for direction indicator and stop light (098298149)  
- mounted in the back of the TM11 lygten

## Spare parts &amp; Accessories TM11 Tail lights 12/24V



Pos. 1



Pos. 2



Pos. 3



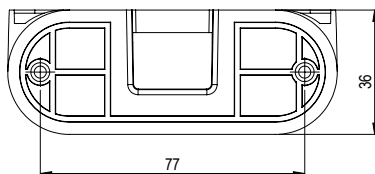
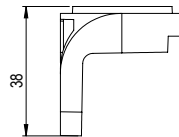
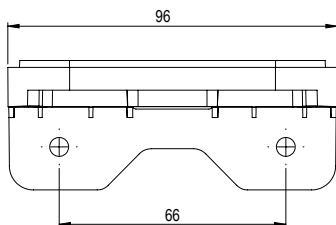
Pos. 4



Pos. 5

Holder of plastic, angled, for outer end marker Delivered with 4 pcs. stainless torx screws. Mounting hole distance: 77 mm	1	<b>098 292 610</b> 92.0000.7668
LED outer end marker 12/24V, Right - 300 mm connection cable with Super Seal plug	2	<b>098 241 448</b> 92.0000.6355
LED outer end marker 12/24V, Left - 300 mm connection cable with Super Seal plug	2	<b>098 241 449</b> 92.0000.6356
Protection cover for tail light	3	<b>098 296 710</b> 92.0000.6877
Cover of LED control - For covering of SLD connection at TM11 Tightens and protects contacts for SLD-unit	4	<b>098 296 700</b> 92.0000.7670
LED-Control unit 12/24V for TM11 Tail light built-in For monitoring direction indicator or stop light. One unit per function is needed For mounting at the back of the housing light. Connection with 3 x spring-loaded contacts	5	<b>098 298 149</b> 92.0000.7671

Pos. 1



## Unique design – and rather cool

Modern technology and design combined

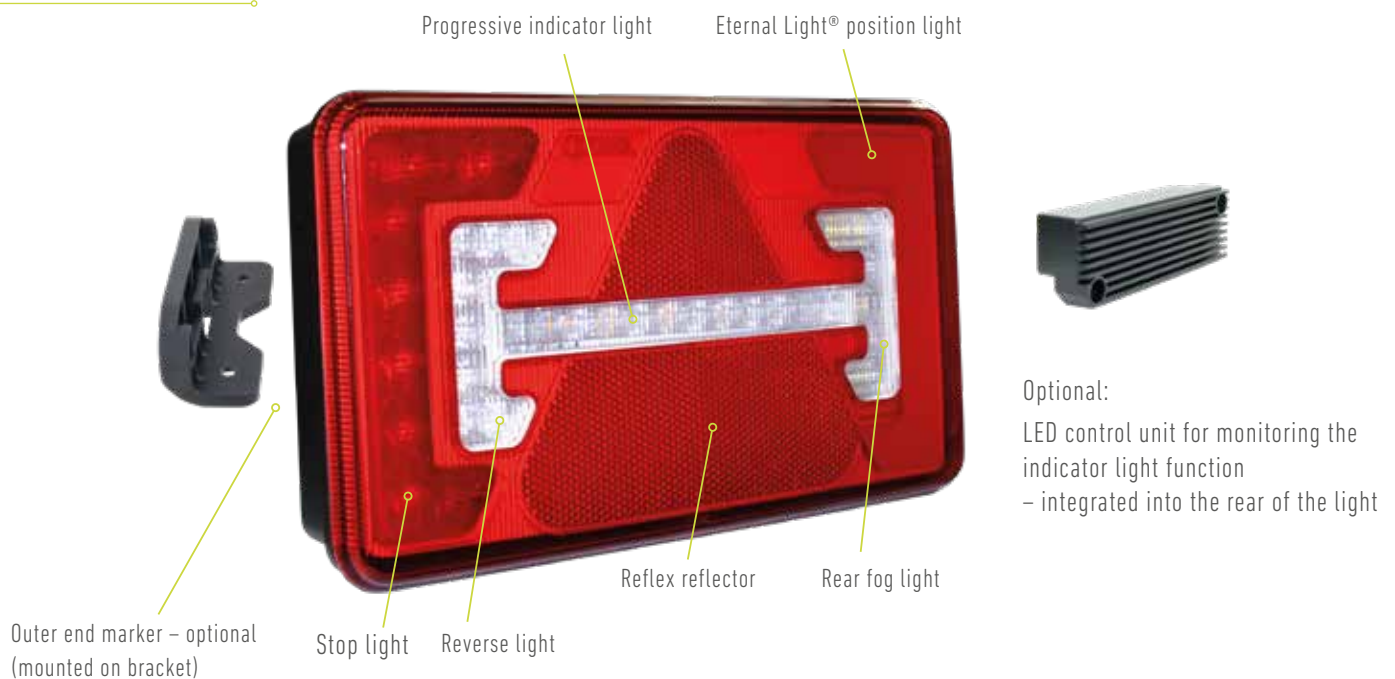
ERMAX TM12 LED tail light is the market's most compact tail light with a built-in LED control unit. The design is based on the newest light and LED technology, and meets the toughest standards in terms of technique, quality and functionality.

The TM12 tail light is developed with 100% LED technology and with a unique, harmonious design – with white optics on the rear fog light function as well as a long modern, dynamic indicator light. Likewise, the Eternal Light® technology is used in the TM12 tail light, whereby a soft, homogeneous and traffic-safe light-picture is obtained.

Due to the compact size, the TM12 tail light is particularly suitable for vehicles with limited mounting or installation space.



### TM12 – left tail light

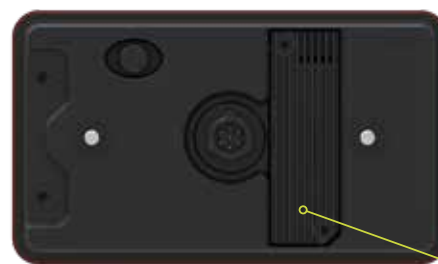


### Rear variants



Without LED control unit for indicator light. 7-pole AMP socket.

Cover



With LED control unit for indicator light. 7-pole AMP socket.

LED control unit

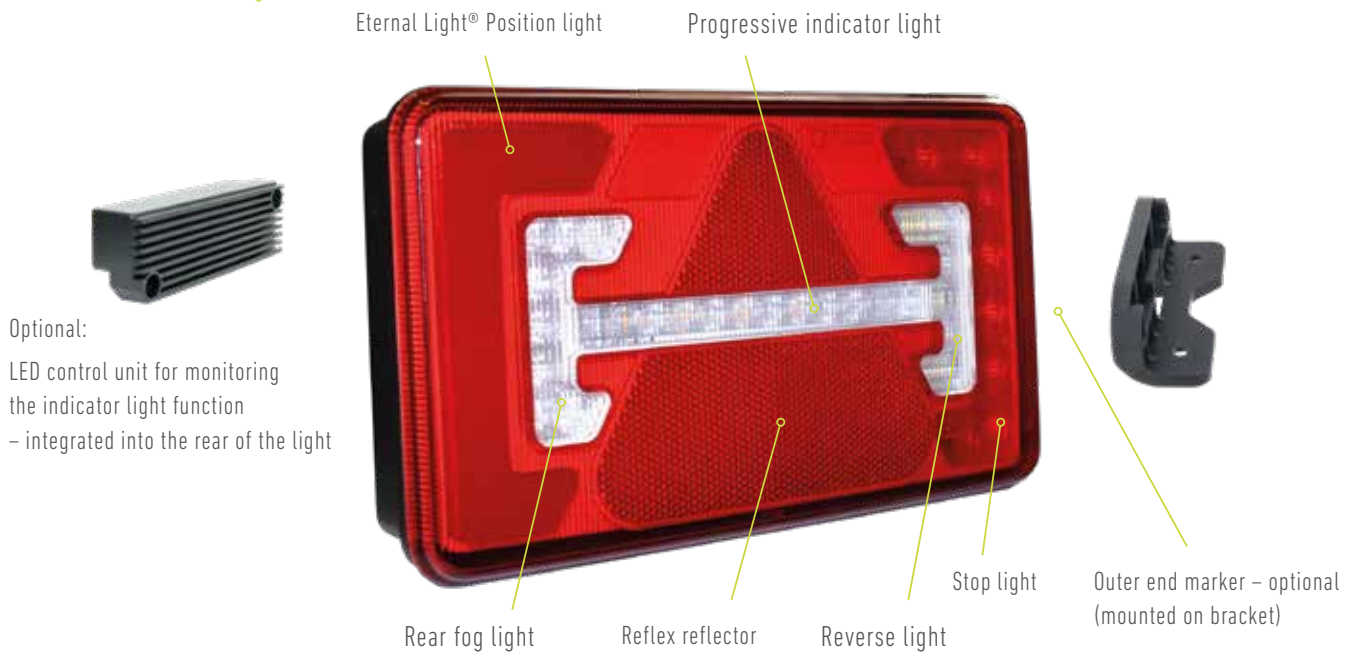
## Compact rear light with integrated control unit

Solves many challenges

### Highlights

- Housing and lens made of highly resistant polycarbonate
- ERMAX patented position light – Eternal Light® – for optimum traffic safety
- Dynamic indicator light
- Integrated multi-volt 12/24V LED control for monitoring of indicator light function, both ISO 13207 and older vehicles according to ECE R48 (optional)
- Compact – especially suitable for vehicles with limited installation space
- Can be used for both trailer and truck – uniform look
- The market's only tail light with adjustable IP69K license plate light
- ECE-, EMC- and ADR-certified
- IP69K rating

### TM12 – right tail light



### TM12 tail light – TRUCK variant



## Variants and functions

For every purpose

TM12 tail light	RH → LH ←	5-pole socket / M6 bolts	7-pole AMP socket / M8 bolts	Position Stop	Dynamic indicator	Reverse	Rear fog	Reflex reflector	License plate	LED indicator failure control	Artikel no.
-----------------	--------------------	-----------------------------	---------------------------------	------------------	-------------------	---------	----------	------------------	---------------	-------------------------------	-------------

15-pole front connection (ISO12098)

	→		✓	✓	✓	✓	△				<b>098 216 620</b> 92.0000.8087
	←		✓	✓	✓	✓	△				<b>098 216 621</b> 92.0000.8088
	→		✓	✓	✓	✓	△		✓		<b>098 216 622</b> 92.0000.8089
	←		✓	✓	✓	✓	△		✓		<b>098 216 623</b> 92.0000.8090

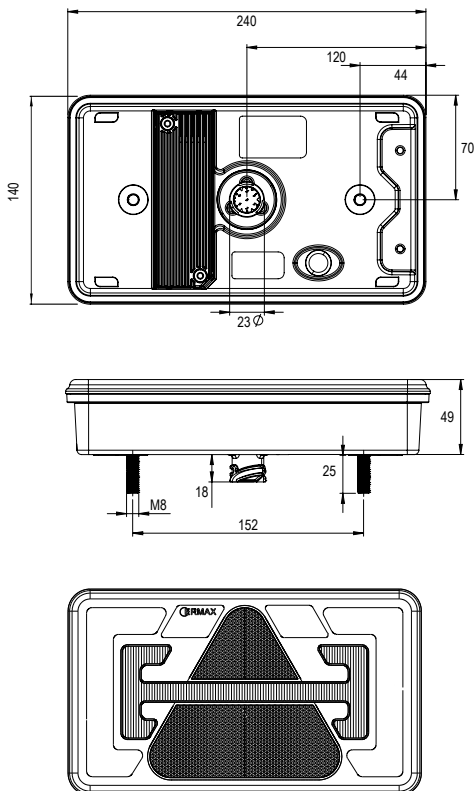
Truck variant

	→		✓	✓	✓	✓	□				<b>098 216 630</b> 92.0000.8090
	←		✓	✓	✓	✓	□				<b>098 216 631</b> 92.0000.8091

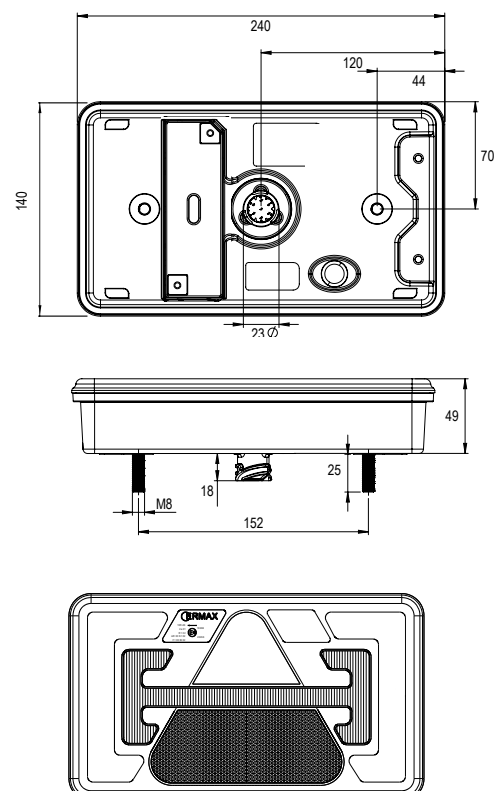
**NOTE:** Variants with 5-pin connector - see our agricultural catalogue.

## Drawings and dimensions

TM12 trailer variant with 7-pole socket without license plate light



TM12 TRUCK variant with 7-pole socket (without license plate light)



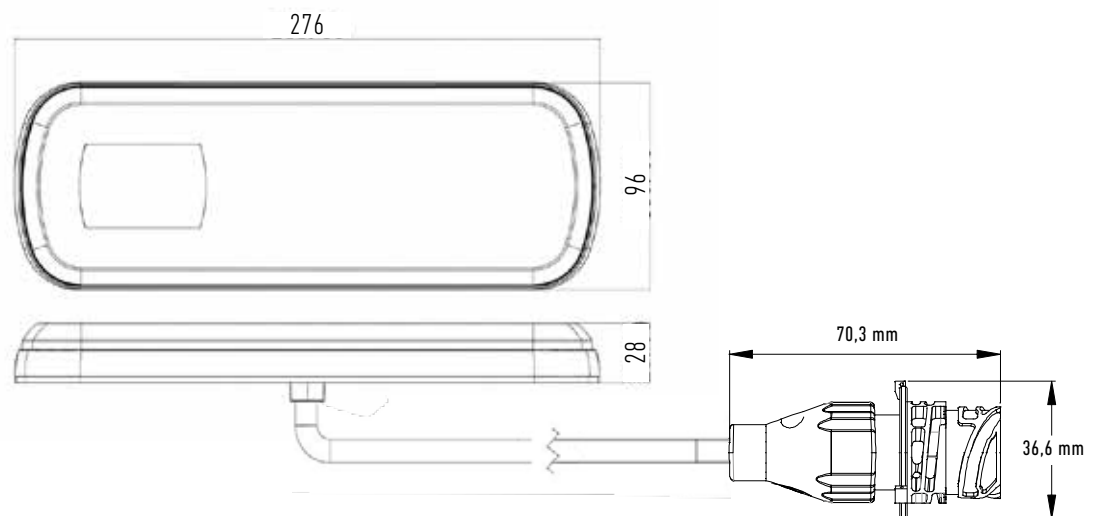
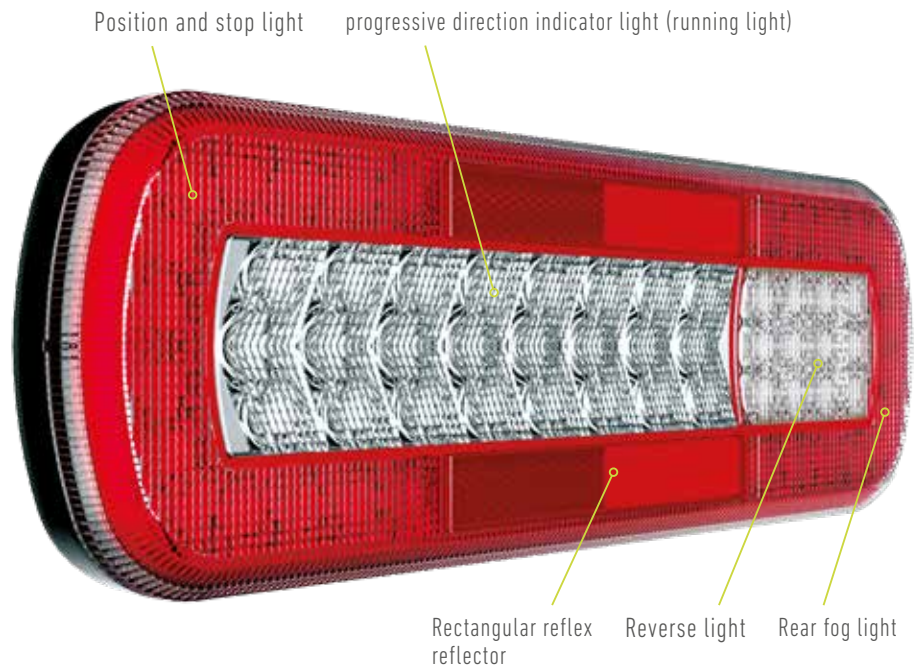
## Spare parts and accessories



## Spare parts and accessories

Bracket, angled, made of plastic – for mounting of outer end marker light Supplied with 2 pcs. stainless Torx screws – bolt hole distance of 77 mm	1	<b>098 292 610</b> 92.0000.7668
LED outer end marker light 12/24V, right / left – 300 mm connection cable with Super Seal plug	2	<b>098 241 218</b> 92.0000.7490
LED outer end marker light 12/24V, right – 300 mm connection cable with Super Seal plug	3	<b>098 241 448</b> 92.0000.7050
LED outer end marker light 12/24V, left – 300 mm connection cable with Super Seal plug	3	<b>098 241 449</b> 92.0000.7051
Protection cover, plastic, for tail light – bolt hole distance of 152 mm	4	<b>098 296 705</b> xx.xxxx.xxxx
Protection cover – to be used on the TM12 tail light if the LED control unit is removed Tightens and protects the contacts of the LED control unit	5	<b>098 296 700</b> 92.0000.7670
LED control unit 12/24V for mounting on TM12 tail light for controlling of the indicator light Connection with 3 spring loaded contacts	6	<b>098 298 149</b> 92.0000.7671

## TM15 LED Tail light 12/24V



## Description

Lens:	Impact resistant polycarbonate
Direction indicator:	Dynamic direction indicator light(running light)
Housing:	Impact resistant polycarbonate
Dimension:	283 x 100 x 29 mm
Bolt distance:	152 mm / M8
Working temperature:	-40°C - +65°C
IP Rating:	IP69K

## Consumption per lighting function

Position light:	0,6W
Stop light:	3,1W
Direction indicator light:	3,1W
Reverse light:	2,8W
Rear fog light:	3,6W



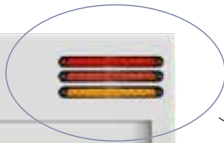
### TM15 LED Tail light 12/24V



Type	Right → Left ←	Position Stop Progressive dir. indicator Reverse Rear fog Rectangular reflex reflector	Connection	Cable length	Article no.
LED	→ ←	✓	7 poled AMP socket	300 mm	<b>098 216 590</b> 92.0000.8048

### TM15 Tail light LED

Smart, modern 6 function tail light for trucks with dynamic direction indicator light  
Long slim design with many LEDs which gives a beautiful and modern light pattern



Is possible to combine with the new TM14 lighting series

## A classic new developed

The newest technology – integrated LED failure control

The classic ERMAX TM4 LED tail light is well-known and has been used on vehicles all over Europe for many years. Due to new vehicle technology challenges with the light function recognition, ERMAX has new developed the classic TM4 LED tail light. The new TM4 tail light now meets the highest demands in the areas of technique, quality and functionality.

The design and build-in measures of the TM4 tail light have not been changed. Quite NEW is, however, the possibility of getting the tail light with integrated LED failure control for monitoring the direction indicator light and the stop light. This means that the vehicle is able to control the light functions according to ECE regulations.

The integrated LED failure control offers many advantages, as it supports both the ISO 13207 cold test and the state-of-the-art LED monitoring.

### TM4 LED Tail light



## The integrated LED failure control will solve many challenges

### Highlights

- LED tail light with integrated LED control for monitoring the indicator and stop light in accordance with ECE 58.
- Use of a technology that is not only limited to ISO 13207 but also takes over the monitoring of older and new vehicles\*.
- Control of flashing side marker lights (SIMAC®) by using rear cable with incorporated SIMAC®.
- Space-saving and fewer interfaces in the wiring harness, as no external control units / control boxes are required.
- Easy and quick mounting. Cost-saving due to reduction of mounting time and no maintenance.
- Classic design which can easily be combined with other existing lights.
- Possibility of a unique red-white-red design.
- D-approval and thus suitable for double mounting.
- IP69K rating of the LED unit (the tail light IP54K).
- ECE-, EMC- and ADR certified.

\* Applies to all well-known brands in EU countries from 11/2009

## Convincing technology

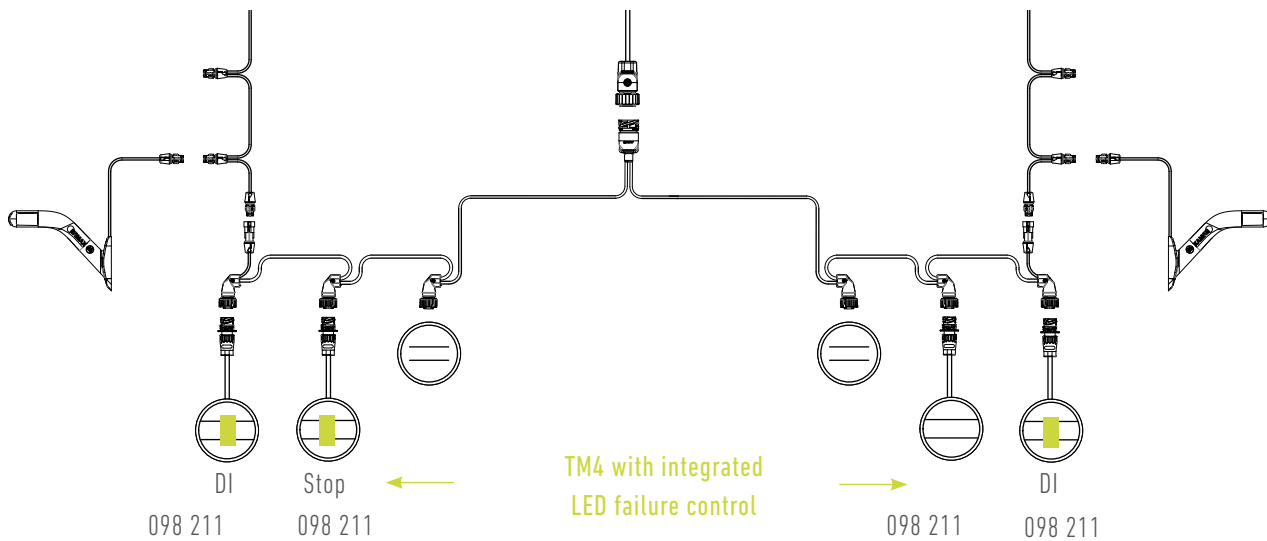
The best choice

### The newest technology for monitoring and control of LED light functions

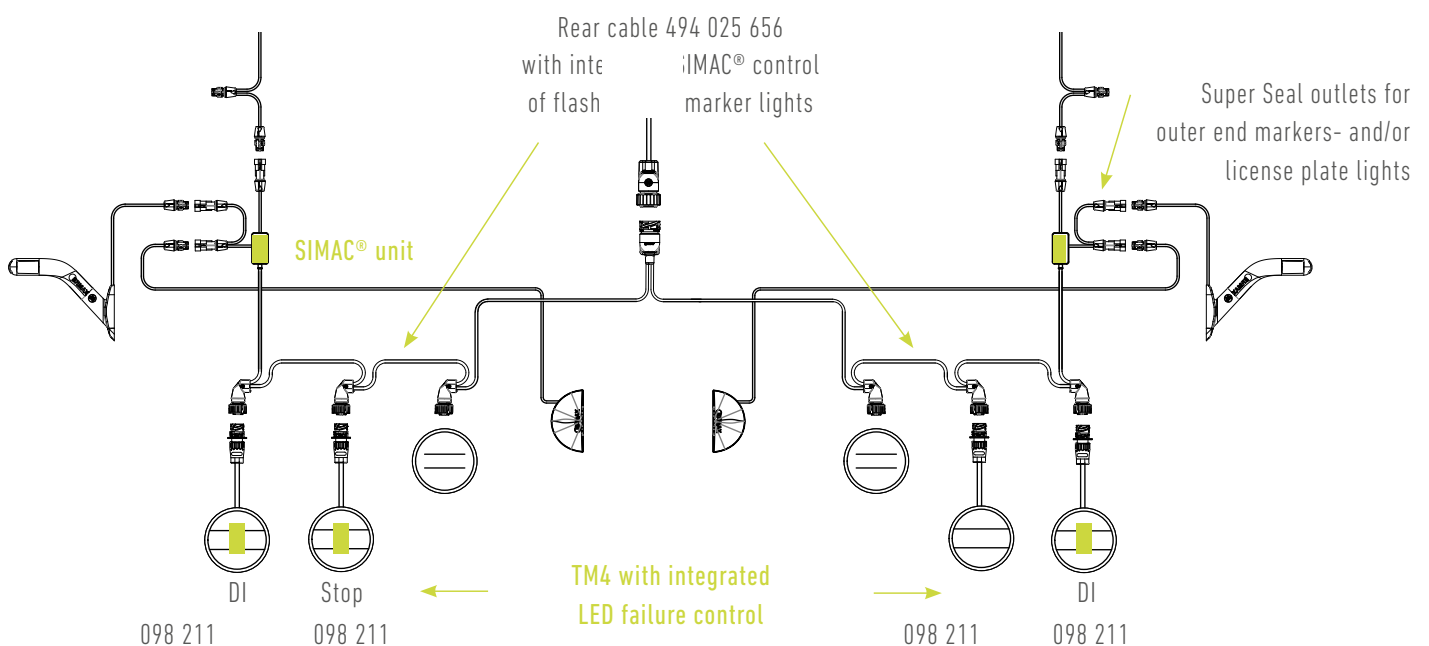
Using the newest technology in the ERMAX TM4 tail light enables integrated LED control to monitor the indicator and stop light function. If control of flashing side marker lamps SIMAC are needed ERMAX offers several innovative solutions, which can be connected easily and intelligently as a part of the cable system or as a plug-in solution.

- The integrated LED control in the tail light for monitoring the indicator and stop light functions, using a technology which is not limited to ISO 13207 and thus can be used for all vehicle\* according to ECE R48.
- Intelligent control of the flashing side marker lights SIMAC® according to ECE R48 integrated in the rear cable.

#### Cable system with LED failure control for direct indicator and stop light function - integrated in the TM4 tail lights



#### Cable system with LED failure control for direct indicator and stop light function integrated in the TM4 tail lights - and SIMAC® in the rear cable



## Variants & functions

for every use



TM4 LED tail light Surface mounting	Voltage	Position Stop Indicator	Reverse	Rear fog	Connection	D-approval	LED control integrated	Article No.
--	---------	-------------------------------	---------	----------	------------	------------	---------------------------	-------------

### Classic design - with D approval

	24V	✓			Cable lead through rubber grommet	✓		<b>098 211 340</b> 92.0000.8382
	24V	✓			300 mm cable with 7 pole AMP socket	✓		<b>098 211 342</b> 92.0000.8384
	24V	✓			Cable lead through rubber grommet	✓	Direct indicator light	<b>098 211 341</b> 92.0000.8383
	24V	✓			300 mm cable with 7 pole AMP socket	✓	Direct indicator light	<b>098 211 343</b> 92.0000.8385
	24V	✓			300 mm cable with 7 pole AMP socket	✓	Stop light	<b>098 211 344</b> 92.0000.8386

### Classic design - without D approval

	12/24V	✓			Cable lead through rubber grommet			<b>098 212 442</b> 92.0000.6937
	12/24V	✓			300 mm cable with 7 pole AMP socket			<b>098 212 436</b> 92.0000.8255

### Unique red-white-red design - with D approval

	12/24V	✓			Cable lead through rubber grommet	✓		<b>098 212 345</b> 92.0000.7553
	12/24V	✓			300 mm cable with 7 pole AMP socket	✓		<b>098 211 362</b> 92.0000.8389
	24V	✓			Cable lead through rubber grommet	✓	Direct indicator light	<b>098 211 361</b> 92.0000.8388
	24V	✓			300 mm cable with 7 pole AMP socket	✓	Direct indicator light	<b>098 211 363</b> 92.0000.8390
	24V	✓			300 mm cable with 7 pole AMP socket	✓	Stop light	<b>098 211 364</b> 92.0000.8391

## Variants & functions

for every use



TM4 LED tail light Surface mounting	Voltage	Position Stop Indicator	Reverse	Rear fog	Connection	D-approval	LED control integrated	Article No.
--	---------	-------------------------------	---------	----------	------------	------------	---------------------------	-------------

### Combination rear light - reversing and rear fog - without D approval

	12/24V		✓	✓	Cable lead through rubber grommet			<b>098 255 340</b> 92.0000.8308
	12/24V		✓	✓	300 mm cable with 7 pole AMP socket			<b>098 255 342</b> 92.0000.8309

### Single-function rear light - reversing and rear fog - without D approval

	24V		✓		Cable lead through rubber grommet			<b>098 256 343</b> 92.0000.7204
	12/24V		✓		300 mm cable with 7 pole AMP socket			<b>098 256 336</b> 92.0000.8257
	12/24V			✓	Cable lead through rubber grommet			<b>098 257 349</b> 92.0000.1608
	12/24V			✓	300 mm cable with 7 pole AMP socket			<b>098 257 336</b> 92.0000.8258

### Material description

Lens:	PMMA
Housing:	PP
Measure:	Ø140 x 80 mm
Bolt distance:	45 mm / M6
Working temperature:	-40°C - +65°C
IP-Rating:	IP54 (LED-Einheit: IP69K)

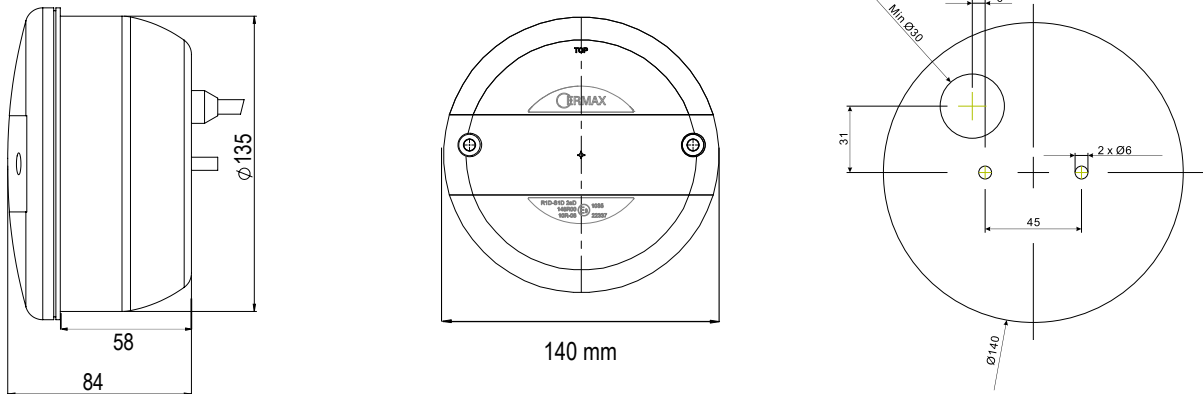
### LED failure control on functions that are not preconfigured

The ERMAX TM4 tail light is pre-configured to monitor a specific light function as described above.

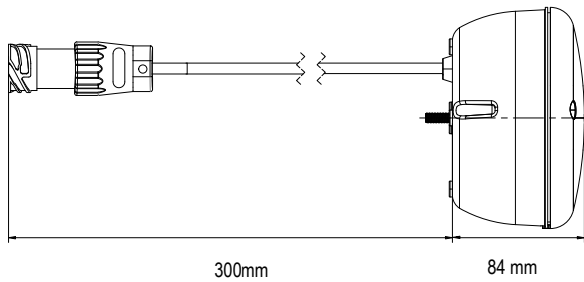
If monitoring of a different light function is required, this can be changed by changing a pair of plug connections. Information can be found on page 7.

## Drawings, measure and spare parts

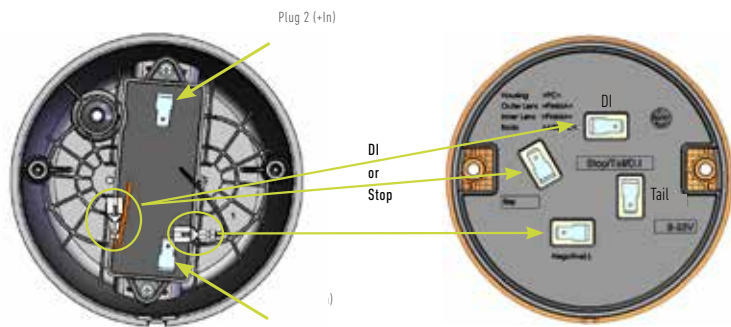
### TM4 LED tail light with rubber grommet



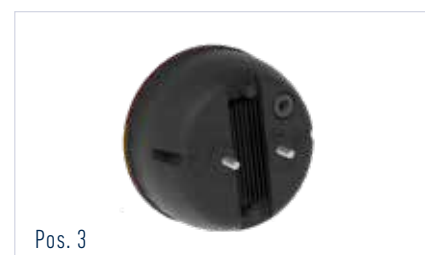
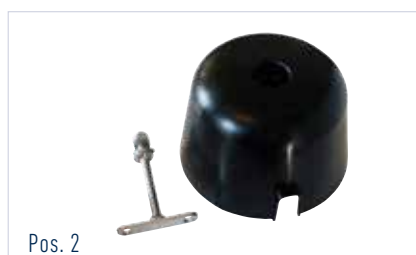
### TM4 LED tail light with 300 mm connection cable with 7 pole AMP socket



### LED failure control on functions that are not preconfigured



### Spare parts and accessories



Chrome ring and built-in kit	1	<b>098 292 360</b> 92.0000.1668
Protection cover for tail light	2	<b>098 296 720</b> 92.0000.1681
TM4 housing with LED failure control unit 24V, cable lead through rubber grommet, for monitoring the direct indicator or stop light function	3	<b>098 298 114</b> 92.0000.8426

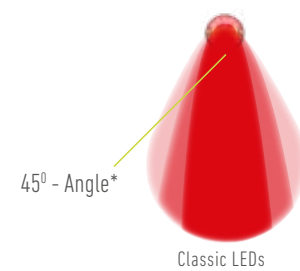
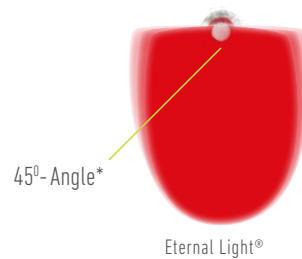
## TM5 LED Tail lights with Eternal Light® and chrome ring 12/24V (Built-in)

The highlights of the ERMAX TM5 tail light in full LED are a modern and recognizable design with Eternal Light® light function for almost every application - both on the trailer and on the truck.

Due to its slim design and ultra-thin installation depth, the TM5 LED tail light is ideal for integration in an underrun protection bar.

### Eternal Light®

Position light Eternal Light®



### Highlights

- Impact-resistant lens made of polycarbonate
- Can be used for trailer and truck
- Ultra Slimline-Design - Maximum installation flexibility
- Chrome ring is screwed mounted - easy to replace
- ERMAX patented position light – Eternal Light®
- Compatible with the intelligent ERMAX LED failure control and the SIMAC control unit according to ECE 48 regulations
- Certified according to all relevant standards and regulations in Europe

### Light technology Eternal Light® – increases road safety

ERMAX Eternal Light® light technology is designed for the best possible SAFETY when driving. It offers the best possible homogeneous light function and has various advantages based on test results.

- Eternal Light® lighting technology – is perceived by other road users earlier than classic LEDs lights or bulb lights.
- Contributes to reducing the number of accidents in connection with changing lanes and right turns.
- Soft visuality when platooning.
- Prevents fatigue in case of long-lasting impact and thus also accidents.

## TM5 LED Tail lights with Eternal Light™ and Chrome ring 12/24V (Built-in)



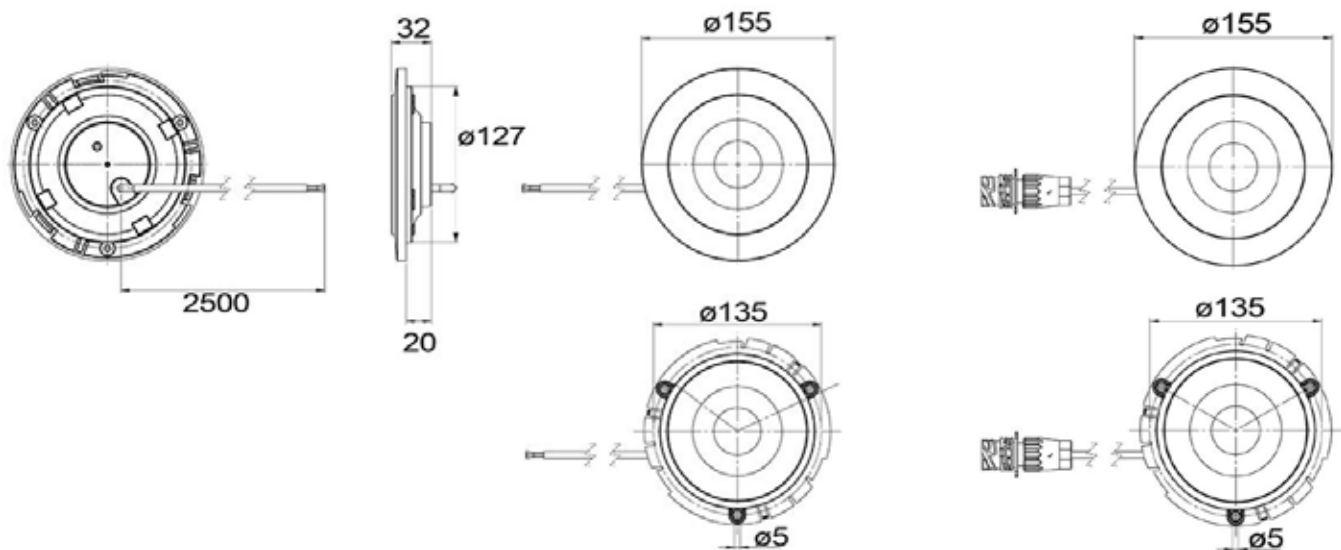
Eternal Light®



Pos. 1



Pos. 2



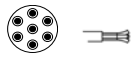
## Description

Tail light with Eternal Light™ technology - for Built-in  
Ultra thin installation depth

Lens:	Impact resistant polycarbonate
Housing:	Impact resistant polycarbonate
Dimension:	Ø155 x 32 mm
Built-in:	Ø127 mm
Bolt distance:	3 pcs Ø4,5 mm in 120° spread in Ø135 mm
Working temperature:	-40°C - +65°C
IP Rating:	IP69K



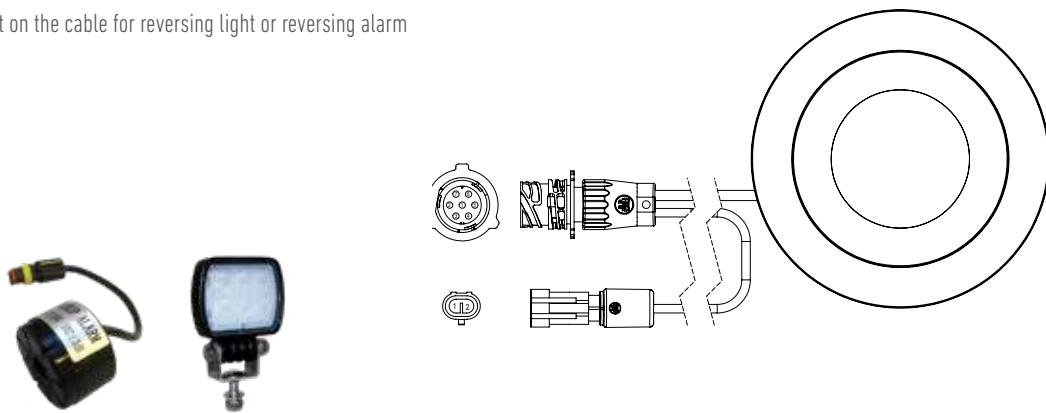
**TM5 LED Tail lights with Eternal Light™ and Chrome ring 12/24V (Built-in)**



Operation voltage	IP Rating	Position Stop Dir. indicator	Reverse Rear fog	Connection	Cable length	Outlet Super Seal	Pos.	Article No.
12/24V	IP69K	✓		Open end	2500 mm		1	<b>098 212 101</b> <i>92.0000.5868</i>
12/24V	IP69K	✓		7 poled AMP socket	300 mm		1	<b>098 212 102</b> <i>92.0000.5869</i>
12/24V	IP69K		✓	Open end	2500 mm		2	<b>098 255 101</b> <i>92.0000.5875</i>
12/24V	IP69K		✓	7 poled AMP socket	300 mm		2	<b>098 255 102</b> <i>92.0000.5876</i>
12/24V	IP69K		✓	7 poled AMP 1.5 socket	1.200 mm	200 mm cable with Super Seal socket for Reverse alarm / Reverse light	2	<b>098 255 104</b> <i>92.0000.7479</i>

098 255 104

- with outlet Super Seal socket on the cable for reversing light or reversing alarm



**Spare parts**



Chrome ring	<b>098 292 215</b> <i>92.0000.6639</i>
-------------	---

## TM6 LED Tail lights 12/24V (Surface mounting)



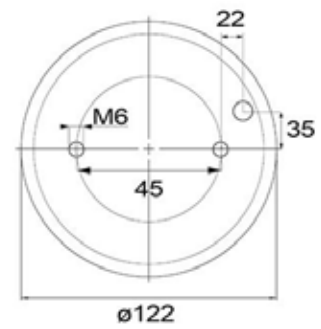
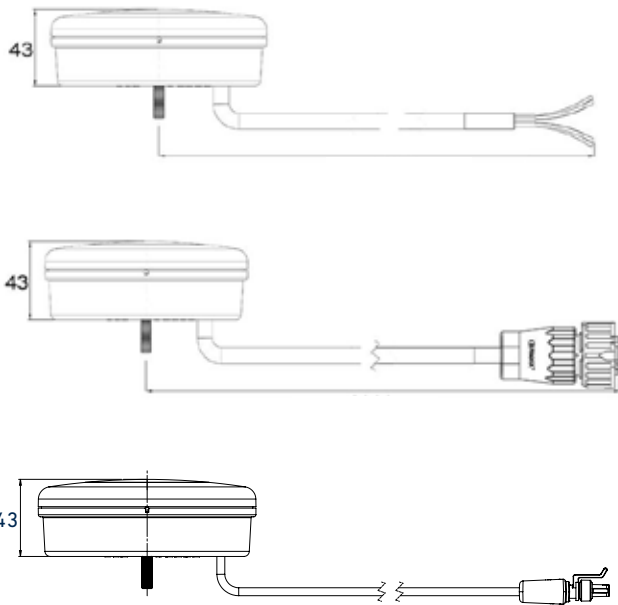
Pos. 1



Pos. 2



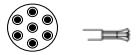
Pos. 3



## Description

Lens:	PMMA
Housing:	ABS
Dimension:	Ø122 x 43.2 mm
Bolt distance:	45 mm / M6
Working temperature:	-40°C - +65°C
IP Rating:	IP69K

## TM6 LED Tail lights 12/24V (Surface mounting)



Operation voltage	IP Rating	Position Stop	Dir. indicator	Reverse	Rear fog	Cable length	Connection	Pos.	Article No.
12/24V	IP69K	✓	✓			2.500 mm	Open end	1	<b>098 212 022</b> 92.0000.5732
12/24V	IP69K	✓	✓			2.000 mm	7 poled AMP 1.5 plug	1	<b>098 212 027</b> 92.0000.1491
12/24V	IP69K	✓	✓			200 mm	7 poled AMP 1.5 socket	1	<b>098 212 028</b> 92.0000.1492
12/24V	IP69K	✓				2.500 mm	Open end	3	<b>098 212 122</b> 92.0000.5733
12/24V	IP69K			✓	✓	2.500 mm	Open end	2	<b>098 255 022</b> 92.0000.5734
12/24V	IP69K			✓	✓	2.000 mm	7 poled AMP 1.5 plug	2	<b>098 255 027</b> 92.0000.1584
12/24V	IP69K			✓	✓	200 mm	7 poled AMP 1.5 socket	2	<b>098 255 028</b> 92.0000.1585
12/24V	IP69K				✓	1.000 mm	2 poled Super-Seal plug	3	<b>098 257 027</b> 92.0000.1606

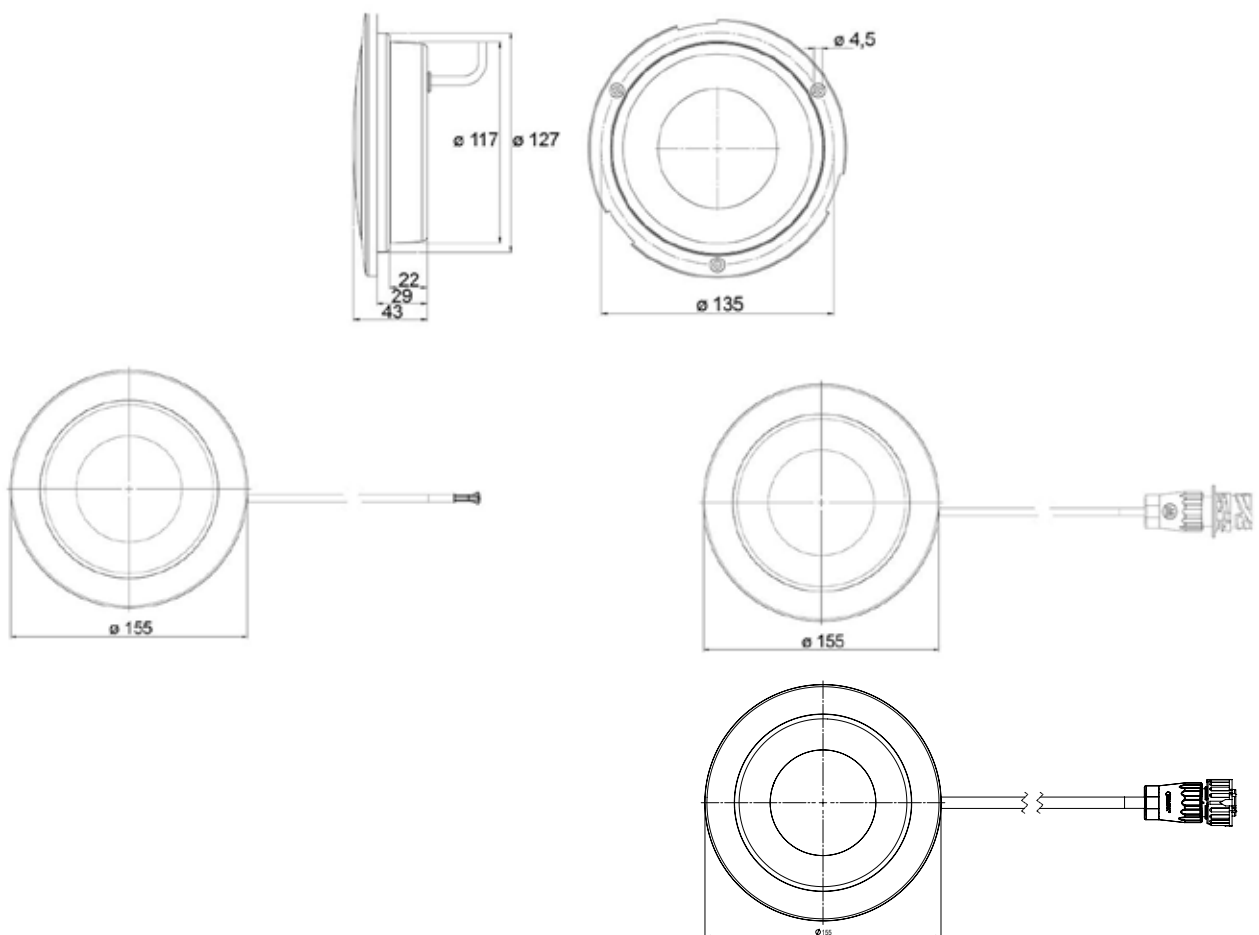
## TM7 LED Tail lights 12/24V (Built-in)



Pos. 1



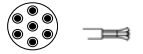
Pos. 2



## Description

Lens:	PMMA
Housing:	ABS
Dimension:	Ø155 x 43.2 mm
Bolt distance:	45 mm / M6
Built-in:	Ø127 mm
Mounting holes:	3 pcs Ø4,5 mm in 120° spread in Ø135 mm
Working temperature:	-40°C - +65°C

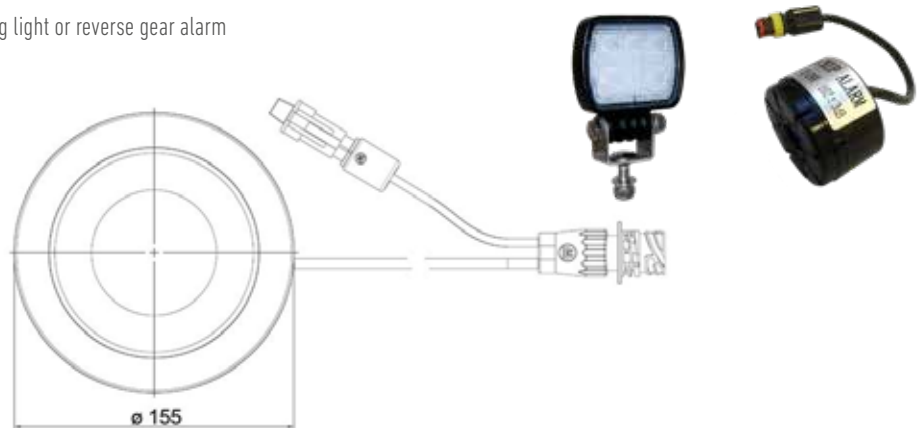
**TM7 LED Tail lights 12/24V (Built-in)**



Operation voltage	IP Rating	Position Stop Dir. indicator	Reverse Rear fog	Cable length	Connection	Outlet Super Seal	Pos.	Article No.
12/24V	IP69K	✓		2.500mm	Open end		1	<b>098 212 002</b> 92.0000.7475
12/24V	IP69K	✓		300 mm	7 poled AMP 1.5 socket		1	<b>098 212 008</b> 92.0000.7476
12/24V	IP69K	✓		2.000 mm	7 poled AMP 1.5 plug		1	<b>098 212 017</b> 92.0000.0012
12/24V	IP69K		✓	2.000 mm	7 poled AMP 1.5 plug		2	<b>098 255 017</b> 95.0000.0013
12/24V	IP69K		✓	200 mm	7 poled AMP 1.5 socket		2	<b>098 255 018</b> 95.0000.0014
12/24V	IP69K		✓	2.500 mm	Open end		2	<b>098 255 002</b> 95.0000.0014
12/24V	IP69K		✓	1.000 mm	7 poled AMP 1.5 socket	200 mm cable with Super Seal socket for Reverse alarm / - Reverse light	2	<b>098 255 014</b> 95.0000.0014

098 255 104

- with outlet Super Seal socket on the cable for reversing light or reverse gear alarm



**Spare parts**



Chrome ring Ø155 mm	<b>098 292 216</b> 92.0000.5702
Black ring Ø155 mm	<b>098 292 217</b> 92.0000.9278

## TM16 LED tail light for built-in - 24V

Modern design, function and technology combined

The new round 3 and 2 function TM16 LED tail light from ERMAX

The TM16 tail light serie features a unique, homogeneous design with a black background which highlights the homogeneous red tail light function in its 3 horizontal stripes. A pretty cool design combined with impact-resistant lens and housing, chrome-ring, the option of progressive direction indicator light and variants with ISO 13207 LED monitoring on the direction indicator light.

The serie also offers individual vehicle styling with a huge range of options, and can be used on both trucks and trailers.

The ERMAX TM16 LED built-in tail light is designed based on the latest lighting- and LED technologies and meets the toughest requirements for technology, quality and functionality.



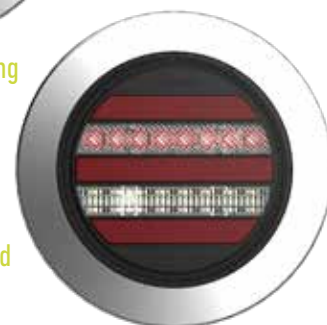
Position-, stop- and direction indicator light



Position-, stop- and progressive direction indicator light



Fog- and reversing light



Position-, fog- and reversing light

### ERMAX TM16 - why?

- 1 Unique design**  
 Built-in light in modern, compact design, with black background. Homogeneous position light with 3 stripes, with Eternal Light function.
- 2 Long lifetime and durability.**  
 Strong, impact-resistant lens and housing made of polycarbonate.
- 3 Two direction indicator functions**  
 Option of standard direction indicator function or modern progressive direction indicator light.
- 4 Chrome-ring**  
 Hides screws, gives a modern look. Also available in gloss black.
- 5 Compatible with all tractor units**  
 Variants with ISO13207 LED monitoring on indicator light as standard - or ERMAX LED control box for monitoring indicator light as plug-in.
- 6 D-approval when double-mounting.**  
 Facilitates ECE compliant double mounting of tail lights as a single unit.
- 7 Flexible connection options**  
 Connection with open-end or 7 pole AMP plug connection. Fog/rear light available with outlets for extra reversing lights.
- 8 First class, approved quality - 3 year warranty**  
 All products are subject to our strict quality criteria and test methods to be able to guarantee high product quality.

## Individual styling

Design the "rear" according to taste and needs

### Flexibility

The ERMAX TM16 is ideal for individual styling of a vehicle and has many application possibilities - both on trailer as on truck.

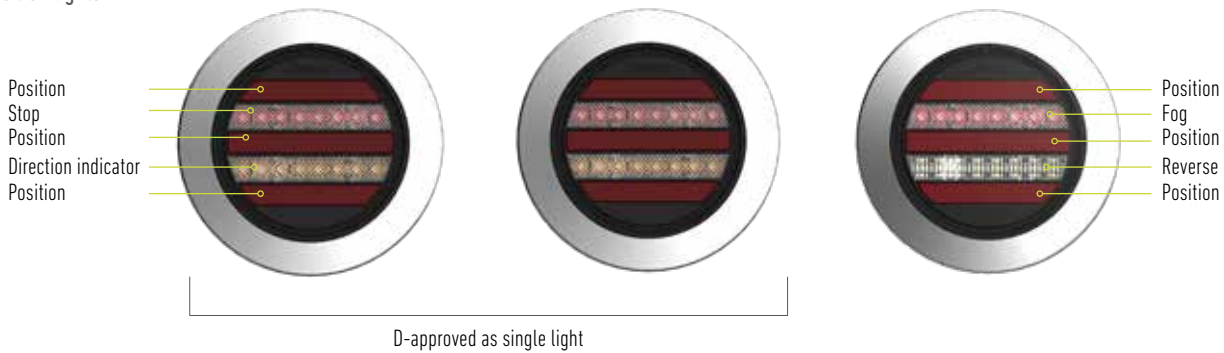
TM16 tail lights can be fitted horizontally and vertically and as high-mounted lights, and with the various connection options, fits perfectly with the ERMAX standard cable system.

### Traditional mounting is ECE compliant



### Uniform look - all functions

ECE compliance without other rear-facing position lights



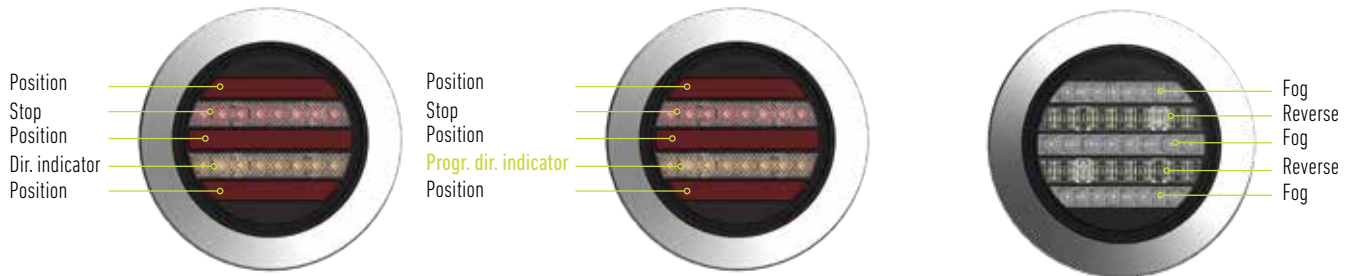
### Dynamic direction indicator in 3 function light

No ECE compliance



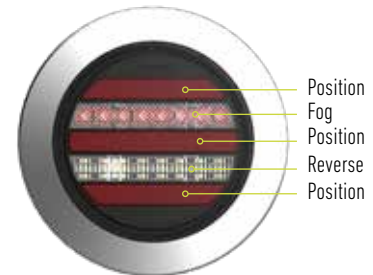
## TM16 LED tail light for built-in - 24V

### Variants without ISO 13207



#### Technical specifications:

- Lens and housing: Impact-resistant polycarbonate
- Voltage: 24V
- Build-in measurements: Ø112.5 mm
- Bolt hole distance: 3 x Ø4.5 mm at 120° divided in Ø130 to Ø135 mm
- Working temperature: -40°C - +65°C
- IP rating: IP6K9K
- Approvals: ECE, EMC and ADR (see D-approval below)



Voltage	Right → Left ←	Position	Stop	Dir. indicator traditional	Dir. indicator progressive	Reverse Fog	Connection	Cable length	Outlet Super Seal	D-approved	Item no.
24V	→ ←	✓	✓	✓			Open end	2,500 mm		✓	098 211 201
24V	→ ←	✓	✓	✓			7 pole AMP socket	300 mm		✓	098 211 202
24V	→	✓	✓		✓		Open end	2,500 mm			098 211 210
24V	←	✓	✓		✓		Open end	2,500 mm			098 211 211
24V	→	✓	✓		✓		7 pole AMP socket	300 mm			098 211 212
24V	←	✓	✓		✓		7 pole AMP socket	300 mm			098 211 213
24V	→ ←					✓	Open end	2,500 mm			098 255 201
24V	→ ←					✓	7 pole AMP socket	300 mm			098 255 202
24V	→ ←					✓	7 pole AMP socket	1,000 mm	200 mm cable with Super Seal socket		098 255 204
24V	→	✓				✓	Open end	2,500 mm			098 255 210 *
24V	←	✓				✓	Open end	2,500 mm			098 255 211 *
24V	→	✓				✓	7 pole AMP socket	300 mm			098 255 212 *
24V	←	✓				✓	7 pole AMP socket	300 mm			098 255 213 *
24V	→	✓				✓	7 pole AMP socket	1,000 mm	200 mm cable with Super Seal socket		098 255 214 *
24V	←	✓				✓	7 pole AMP socket	1,000 mm	200 mm cable with Super Seal socket		098 255 215 *

\* NB: The reason for a right and left variant is, that the fog light is reduced on the right and left side of the light respectively, meaning it can be mounted close to the rear light and still maintain the mandatory 100 mm distance between stop and fog lights.



## TM16 LED tail light for built-in - 24V

Variants with ISO 13207 - Indicator monitored by integrated ISO13207 pulse system



Voltage	Right → Left ←	Position	Stop	Dir. indicator traditional	Dir. indicator progressive	Reverse Fog	Connection	Cable length	D-approved	Item no.
24V	→ ←	✓	✓	✓			Open end	2,500 mm	✓	098 211 231
24V	→ ←	✓	✓	✓			7 pole AMP socket	300 mm	✓	098 211 232
24V	→	✓	✓		✓		Open end	2,500 mm		098 211 240
24V	←	✓	✓		✓		Open end	2,500 mm		098 211 241
24V	→	✓	✓		✓		7 pole AMP socket	300 mm		098 211 242
24V	←	✓	✓		✓		7 pole AMP socket	300 mm		098 211 243



Example with gloss black ring

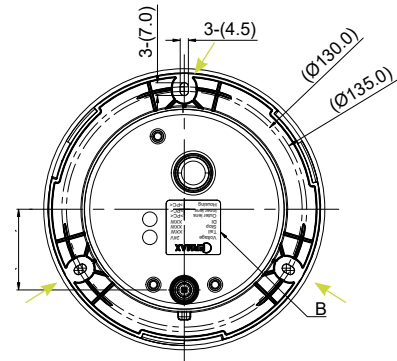
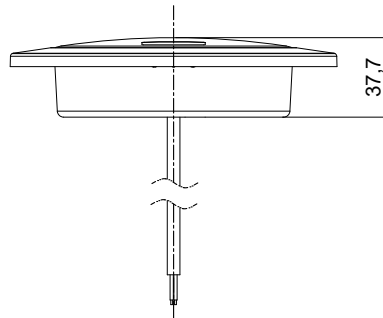
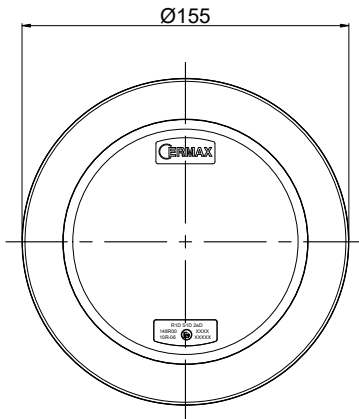
### Spare parts

Chrome-ring Ø155 mm	098 292 216
Gloss black ring Ø155 mm - can replace the chrome ring	098 292 217

## TM16 LED tail light for built-in - 24V

### Technical details and dimensions

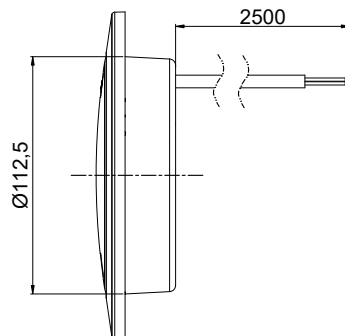
#### Dimensions



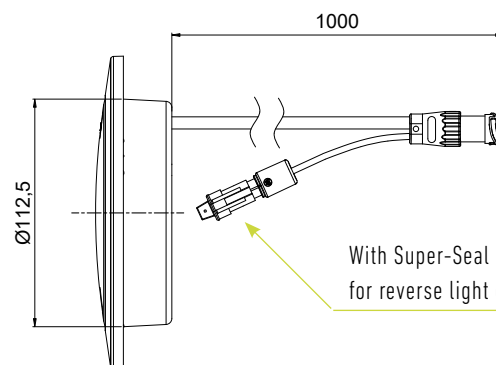
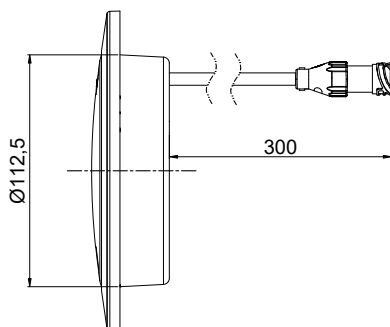
Can be mounted at 120° divided on  
Ø130 to Ø135

#### Connection open-end:

- White: Minus (-)
- Green: Position
- Amber: Direction indicator
- Red: Stop



#### Connection to 7 pole AMP socket



With Super-Seal socket outlet on cable  
for reverse light or reversing alarm

#### Technical specifications:

- Strong, impact-resistant polycarbonate lens and housing
- 24V
- Dimensions for built-in - Ø112.5 mm
- Bolt hole distance - 3 x Ø4.5 mm at 120° divided on Ø130 to Ø135 mm
- Working temperature -40°C - +65°C
- IP rating: IP6K9K
- ECE, EMC and ADR approved (D-approval, see table on next page)

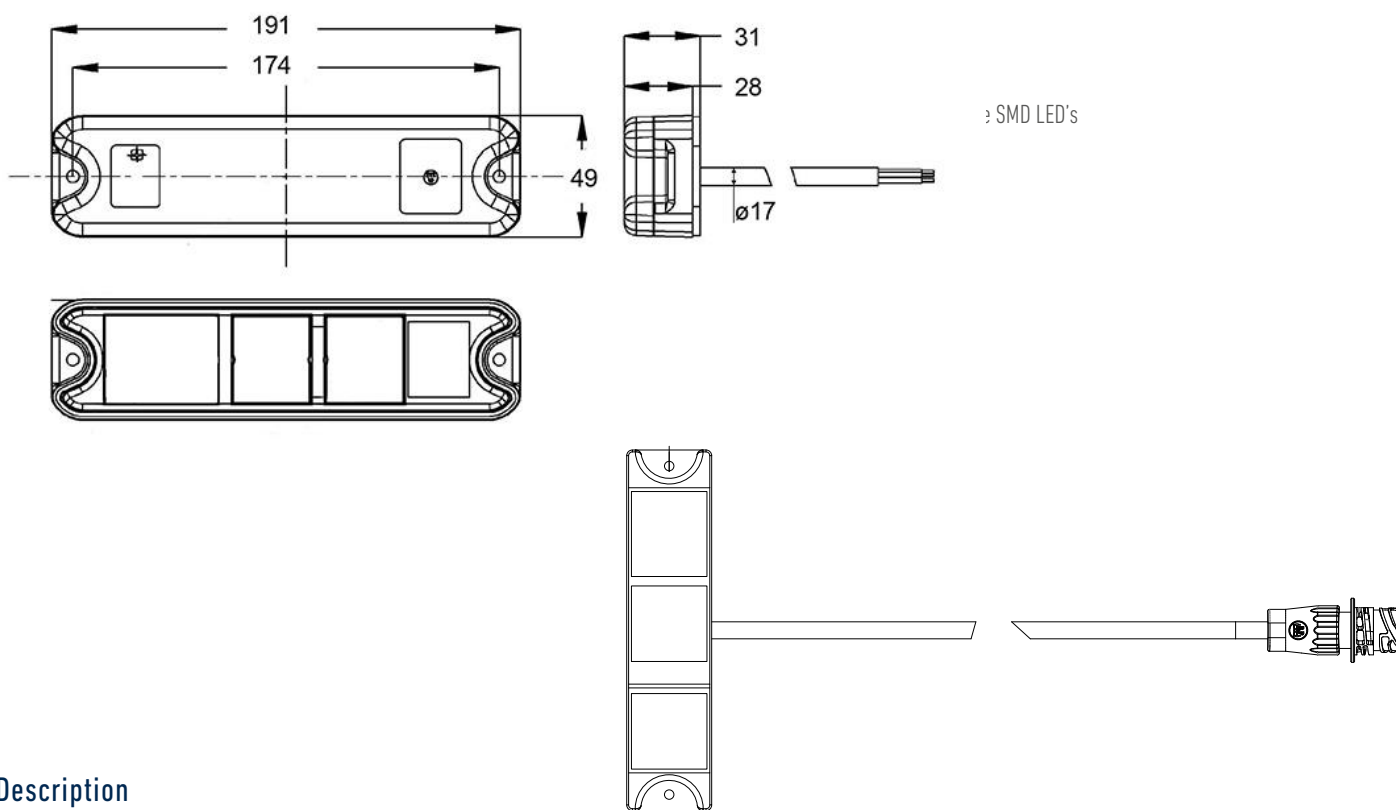
### TM8 LED Tail lights 12/24V



Pos. 1



Pos. 2



### Description

Lens: PMMA  
 Housing: ABS  
 Dimension: 191 x 49,4 x 30 mm  
 Bolt distance: 174 mm / M5



Operating voltage	IP Rating	Position Stop Dir. indicator	Reverse Rear fog	Reflex reflector	Cable length	Connection	Pos.	Article No.
-------------------	-----------	------------------------------	------------------	------------------	--------------	------------	------	-------------

12/24V	IP69K	✓		✓	200 mm	7 poled AMP 1.5 socket	1	<b>098 212 274</b> 92.0000.1500
12/24V	IP69K		✓	✓	200 mm	7 poled AMP 1.5 socket	2	<b>098 255 274</b> 92.0000.1587

## TM13 LED Tail light 12/24V

### Small and slim design

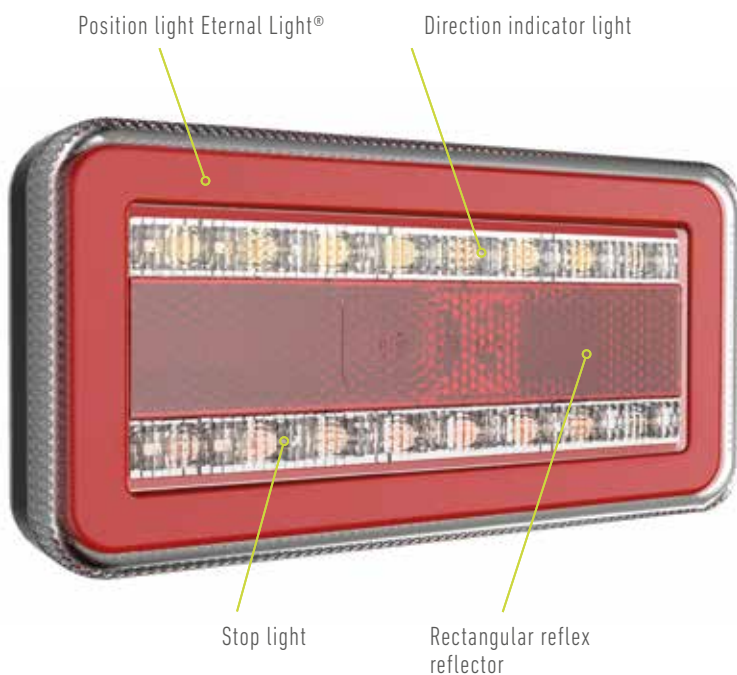
The perfect solution if the installation place is limited

The new ERMAX TM13 4-functions tail light in full-LED offers highlights as small, slimline and modern design for almost any application – for trailer as well as truck.

The TM13 LED tail light is due to its compact size and its slim design all-round useable and especially suitable for narrow build-in measures.

Recognizable design with Eternal Light®, newest light and LED technology and high quality are united in the ERMAX TM13 tail light – and makes the new TM13 tail light to another ERMAX innovation within lighting for heavy vehicles.

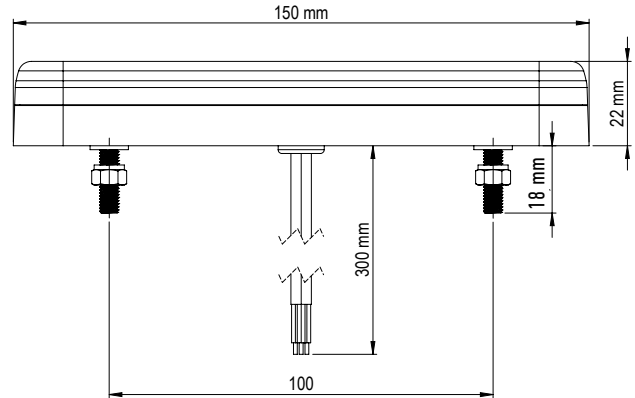
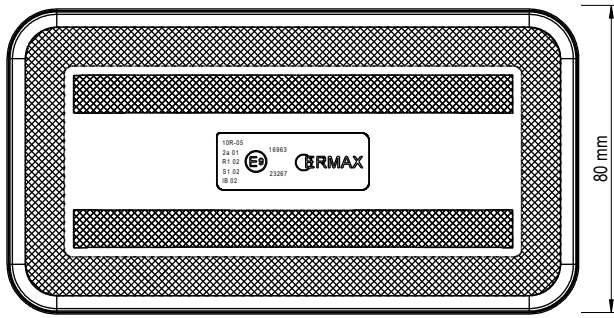
## Eternal Light®



### Highlights

- Applicable for trailer and truck
- Slimline-design - the perfect solution for limited build-in dimensions
- Suitable for high mounting
- ERMAX patented position light – Eternal Light®
- Compatible with the intelligent ERMAX LED failure control and the SIMAC®-control unit according to ECE 48 regulation
- Certified according to all relevant standards and regulations in Europe

TM13 LED Tail light 12/24V



OBS: IF ONLY VERTICAL MOUNTING, A SEPARATE LEGAL REFLECTOR MUST BE MOUNTED



Description

Lens: Polycarbonate  
 Housing: Polycarbonate and ABS  
 Dimension: 150 x 80 x 22 mm  
 Bolt distance: 100 mm / M5  
 Working temperature: -40°C - +65°C  
 IP Rating: IP69K

Type	Operation voltage	Right → Left ♦	Position Stop Dir. indicator Rectangular reflex reflector	Connection	Cable length	Article no.
LED	12/24V	→ ←	✓	Open end	300 mm cable, 4 core	<b>098 212 170</b> 92.0000.8007
LED	12/24V	→ ←	✓	Open end	2.500 mm cable, 4 core	<b>098 212 171</b> 92.0000.8008
LED	12/24V	→ ←	✓	7 poled AMP Steckdose	300 mm cable	<b>098 212 172</b> 92.0000.8009
LED	12/24V	→ ←	✓	4 poled Deutsch socket (DT4)	300 mm cable	<b>098 212 173</b> 92.0000.8010

## TM14 LED Slim-Line Tail light 12/24V

### Individual styling with TM14 Slim-line

#### The perfect solution for limited space

The ERMAX TM14 Slim-Line lighting series is ideal for individual modern styling of a vehicle and can be used for both surface mounting and built-in. The TM14 Slim-Line series is in full LED and offers highlights as a narrow, slim-line and modern design suitable for almost all applications – on the trailer as well as on the truck.

Due to the size and the slim design, there are many applications possibilities – especially where there are limited and narrow mounting surfaces.

The TM14 Slim-Line light can be mounted vertically, horizontally, and as high-mounted light – and fits with the various connection possibilities optimally with ERMAX' present cable system.

The stop light can also with advantage be use as high-mounted 3. stop light.



Position and / or stop light



Direct indicator light as standard or with dynamic direct indicator light

Truck styled with TM14 position lights



### Highlights

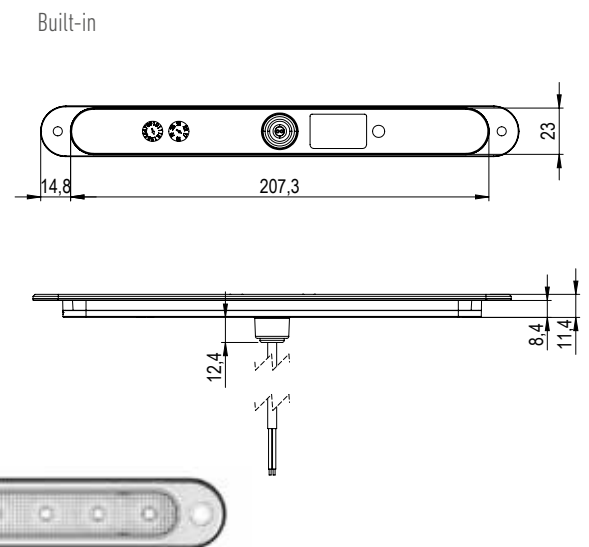
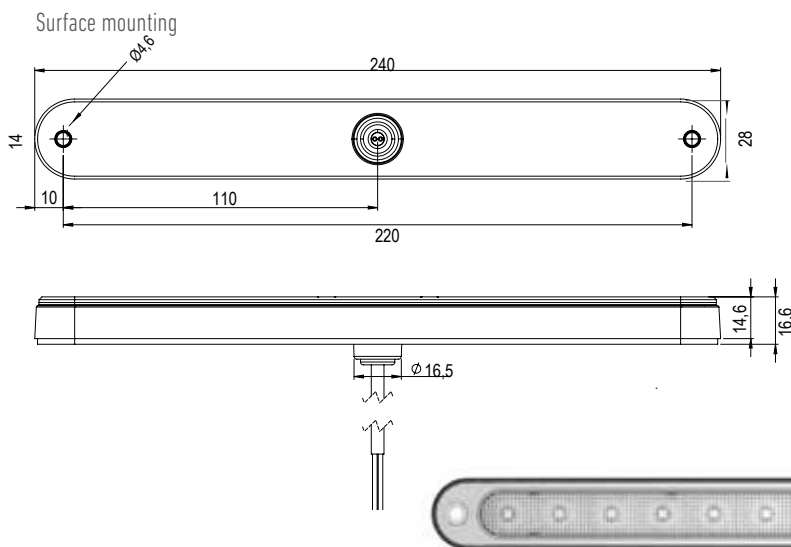
- Slim and modern design for practically any application
- Applicable for trailer and truck
- Time saving mounting with 2 poled or 3 poled Super Seal connection
- 5 m Open end versions for long wiring
- Especially suitable for vehicles with limited mounting space
- Various applications – surface mounting, built-in, horizontal and vertical mounting and as high-mounted light
- Ideal as high-mounted 3. stop light.
- Certified according to all relevant standards and regulations in Europe

## TM14 LED Slim-line - Flexible and individual styling possibilities

Design the "rear end" according to needs and demands



Position of more lights underneath each other means more effect of the nice, modern and dynamic direction indicator light



**OBS** - See all variants, connection possibilities and description on next page

## TM14 LED Tail light 12/24V - Slim-line



### Description

Lens: Impact resistant polycarbonate  
 Housing: Impact resistant polycarbonate  
 Dimension  
 Surface mounting: 240 x 28 x 16,6 mm  
 Built-in: 208 x 23 x 8,4 mm  
 Bolt distance: 220 mm / Ø4,6  
 Working temperature: -40°C til +65°C  
 IP Rating: IP69K

### Consumption per lighting function

Positions light: 0,6W  
 Stop light: 2,0W  
 Direction indicator light: 0,9W  
 Dynamic direction indicator light : 4,0W

\* Bi-polar connection

Operat- ingvolt- age	Right → Left ←	Position	Stop	Dir. indica- tor	Dynamic dir. indicator "NEW"	Connection	Cable length	Pin-configuration / wire color pr. function	Article no.
12/24V	→ ←	✓	✓			3 poled Super Seal socket	300 mm	1 = Ground 2 = Position light 3 = Stop light	<b>098 212 250</b> 92.0000.8077
12/24V	→ ←	✓	✓			Open end	5.000 mm - 3 core	Brown = Ground Blue = Position Yellow/green= Stop	<b>098 212 252</b> 92.0000.8078
12/24V	→ ←	✓				2 poled Super Seal socket	300 mm		<b>098 200 250</b> 92.0000.8069
12/24V	→ ←	✓				Open end	5.000 mm - 2 core	Brown = Ground Blue= Position light	<b>098 200 252</b> 92.0000.8070
12/24V	→ ←		✓			2 poled Super Seal socket	300 mm		<b>098 203 250</b> 92.0000.8071
12/24V	→ ←		✓			Open end	5.000 mm - 2 core	Brown = Ground Blue = Stop	<b>098 203 252</b> 92.0000.8072
12/24V	→ ←			✓		2 poled Super Seal socket	300 mm		<b>098 222 250</b> 92.0000.8093
12/24V	→ ←			✓		Open end	5.000 mm - 2 core	Brown = Ground Blue = Dir. indicatir	<b>* 098 222 252</b> 92.0000.8094
12/24V	→ ←				✓	2 poled Super Seal socket	300 mm		<b>* 098 222 260</b> 92.0000.8095
12/24V	→ ←				✓	Open end	5.000 mm - 2 core	Brown = Ground Blue = Dir. indicator	<b>* 098 222 262</b> 92.0000.8096

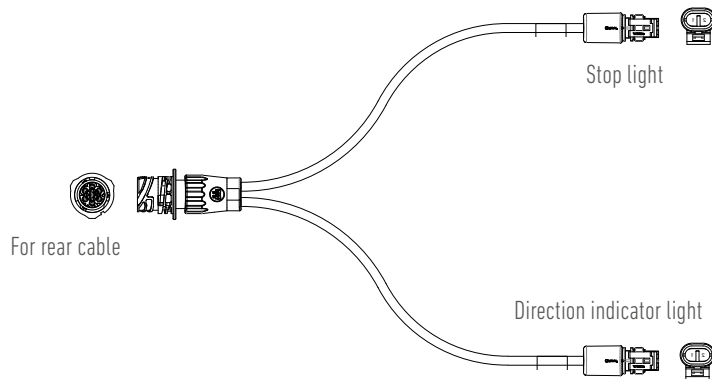


## TM14 LED Tail light 12/24V - Slim-line

Accessories - Adapter cable for installation of TM14 Slim-Line to rear cable (see detailed description in the section "cables universal")

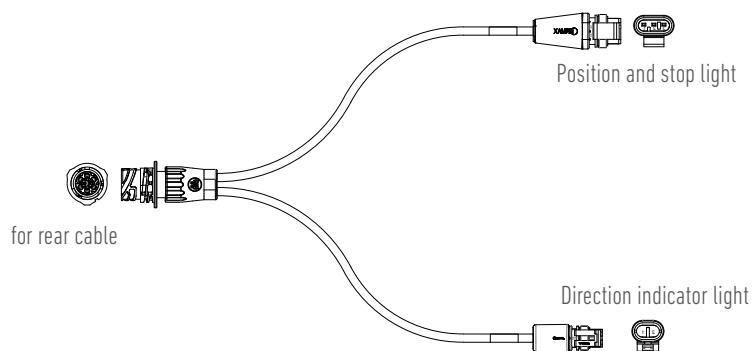
### 994 003 282 - Adapter cable 300 mm,

7 poled AMP socket > 2 x Super Seal plug with outlet for stop- and direction indicator light



### 994 003 285 - Adapter cable 300 mm,

7 poled AMP socket > 1 x 3 poled Super Seal plug with outlet for position and stop light + 1 x 2 poled super seal plug with outlet for direction indicator light



## Compact and Slim Design - Integrated work- or reverse light

The Ermax Top light 4 functions tail light in LED and with intergrated work- or reverse light, offers as high light a small, slim and modern design for almost all application - on the trailer as well as on the truck.

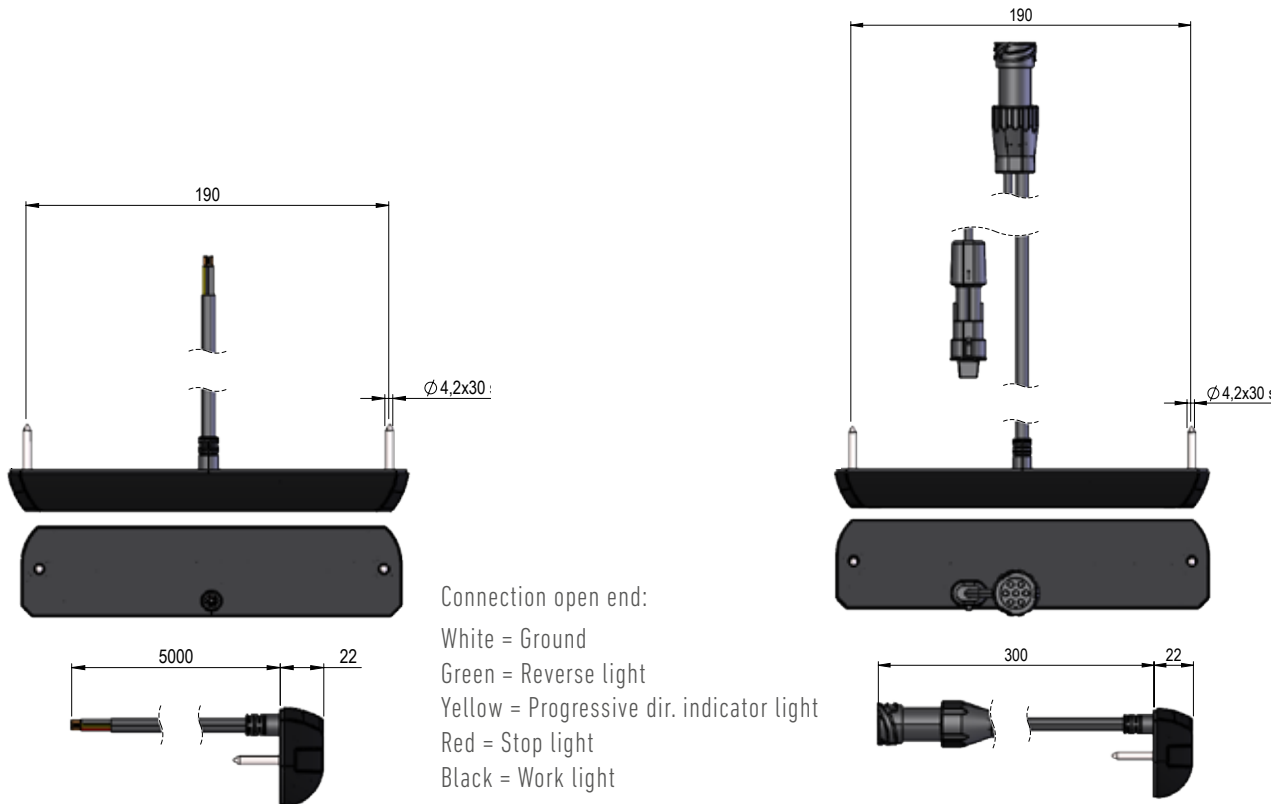
The Ermax Top light LED tail light is due to its size and slim design applicable for many purposes, especially for where there are limited and narrow mounting surfaces. High-mounted in order to use the work light function - or mounted in a height of max. 1.200 mm to use the reverse light function.



### High lights

- Slim and compact design - Optimal as high-mounted tail lights
- Intergrated work- or reverse light
- Progressive direction indicator light
- Impact-resistant lens made of Polycarbonate
- Ideal as high-mounted light for use as work light in order to lighten up the work area in th rear end of the trailer or truck
- Especially suitable for vehicles with limited mounting surfaces
- Certified according to all relevant standards and regulations in Europe

### LED Tail light 12/24 with intergrated reverse- or work light



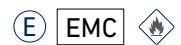
#### Description

Lens: Impact resistant polycarbonate  
 Housing: Impact resistant polycarbonate with backplate of aluminium  
 Dimension: 210 x 50 x 20 mm  
 Bolt distance: 190 mm / M4  
 Working temperature: -40°C - +65°C  
 IP-Rating: IP69K

#### Consumption per function

Position light: 0,6W  
 Stop light: 2,7W  
 Progressive dir. indicator: 2,5W  
 Work- / Reverse light: 10W

Obs - approved as reverse light with installation height of max. 1.200 mm



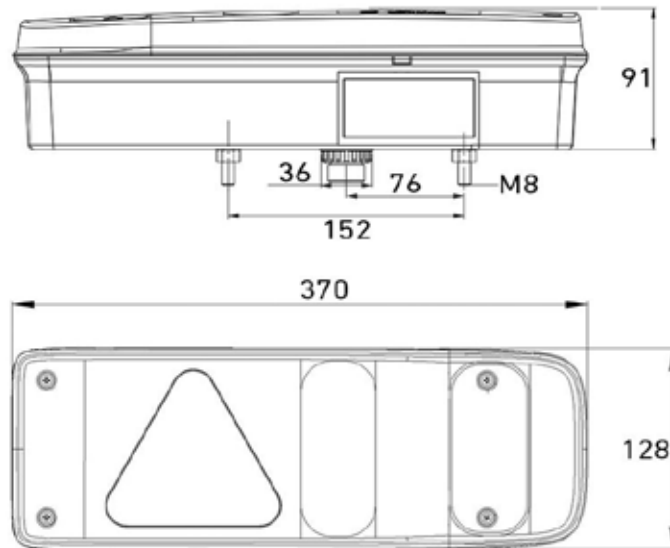
Type	Right → left ←	Position Stop Progressive dir. indicator	Work light / Reverse light * Lumen theoretical/ effektive	Connection and cable length	Article no.
LED	→	✓	950 / 730 Lumen	5.000 mm cable open end	<b>098 212 240</b> 92.0000.8073
LED	←	✓	950 / 730 Lumen	5.000 mm cable open end	<b>098 212 241</b> 92.0000.8074
LED	→	✓	950 / 730 Lumen	300 mm cable with 7 poled AMP socket 300 mm cable with 2 poled Super Seal socket	<b>098 212 242</b> 92.0000.8075
LED	←	✓	950 / 730 Lumen	300 mm cable with 7 poled AMP socket 300 mm cable with 2 poled Super Seal socket	<b>098 212 243</b> 92.0000.8076

TM2 **HYBRID** Tail lights 24V

Pos. 1



Pos. 2

TM2 **HYBRID** Variant

- Tail light TM2 Hybrid with position light as LED
- With Osram Truckstar pro HD bulb on stop, direction indicator, reverse- and rear fog light

## Description

Lens:	PMMA
Housing:	PP
Dimension:	370 x 128 x 91 mm
Bolt distance:	152 mm / M8

## TM2 Tail lights 24V - HYBRID

Type	IP Rating	Left ← Right →	Position Stop Dir. indicator	Reverse Rear fog Reflex reflector	License plate	Side marker	Outer end marker	Connection 7 poled AMP 1.5 socket	Pos.	Article No.
Hybrid	IP54	←	✓	✓				✓	1	<b>098 216 251</b> 92.0000.9306
Hybrid	IP54	→	✓	✓				✓	1	<b>098 216 252</b> 92.0000.9307
Hybrid	IP54	←	✓	✓			45° Long (LED)	✓	2	<b>098 216 265</b> 92.0000.9308
Hybrid	IP54	→	✓	✓			45° Long (LED)	✓	2	<b>098 216 266</b> 92.0000.9309

## Spare parts & Accessories TM2 HYBRID Tail lights, 24V



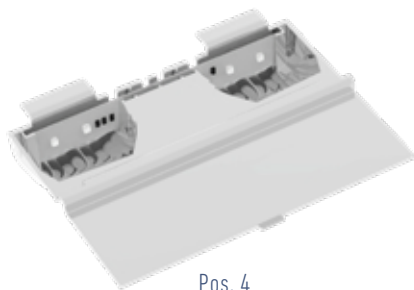
Pos. 1



Pos. 2



Pos. 3



Pos. 4

Pos. 5

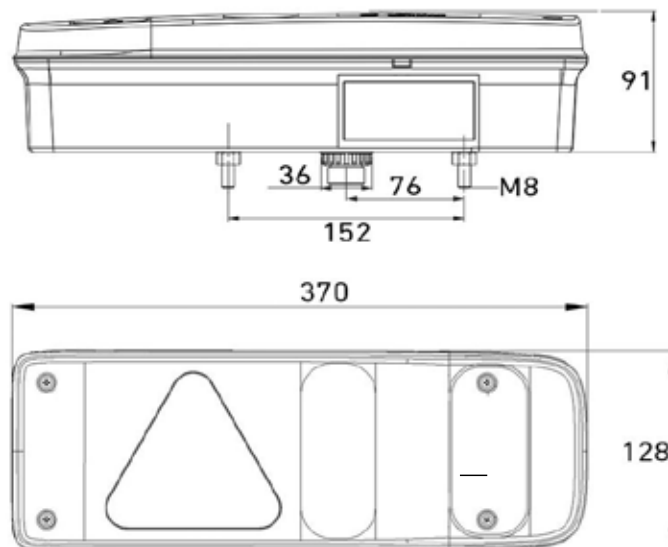


Pos. 6



Lens, left, with 4 screws	1	<b>098 296 351</b> 92.0000.1679
Lens, right, with 4 screws	1	<b>098 296 352</b> 92.0000.1680
Protection cover for tail light	2	<b>098 296 710</b> 92.0000.6877
LED Outer and marker, left - 500 mm connection cable open end	3	<b>098 241 427</b> 92.0000.1560
LED Outer and marker, right - 500 mm connection cable open end	3	<b>098 241 428</b> 92.0000.1561
Bulb 24V 5W HD, BA15s - for position light	4	<b>098 296 250</b> 92.0000.5884
Bulb 24V 21W amber HD, BAU15s - with amber lens for clear direction indicator light	5	<b>091 624 078</b> 92.0000.5885
Bulb 24V 21W HD, BA15s - for stop- and rear fog light	6	<b>091 624 071</b> 92.0000.5882

## TM2 GL bulb or Hybrid Tail lights 24V



## Description

Lens:	PMMA
Housing:	PP
Dimension:	370 x 128 x 91 mm
Bolt distance:	152 mm / M8

### TM2 GL Tail lights 24V - bulb or Hybrid



Type	IP Rating	Left ← Right →	Position Stop Dir. indicator	Reverse Rear fog Reflex	License plate	Side marker	Outer end marker	Connection 7 poled AMP 1.5 socket	Pos.	Article No.
Bulb	IP54	←	✓	✓				✓	1	<b>098 216 351</b>
Bulb	IP54	→	✓	✓				✓	1	<b>098 216 352</b>
Bulb	IP54	←	✓	✓		✓		✓	1	<b>098 216 353</b>
Bulb	IP54	→	✓	✓		✓		✓	1	<b>098 216 354</b>
Bulb	IP54	←	✓	✓	✓			✓	1	<b>098 216 355</b>
Bulb	IP54	→	✓	✓	✓			✓	1	<b>098 216 356</b>
Bulb	IP54	←	✓	✓	✓	✓		✓	1	<b>098 216 357</b>
Bulb	IP54	→	✓	✓	✓	✓		✓	1	<b>098 216 358</b>
Bulb	IP54	←	✓	✓			45° Long (LED)	✓	2	<b>098 216 365</b>
Bulb	IP54	→	✓	✓			45° Long (LED)	✓	2	<b>098 216 366</b>
Bulb	IP54	←	✓	✓	✓		45° Long (LED)	✓	2	<b>098 216 367</b>
Bulb	IP54	→	✓	✓	✓		45° Long (LED)	✓	2	<b>098 216 368</b>

### Spare parts & Accessories TM2 GL Tail lights bulb, 24V



Pos. 1



Pos. 2



Pos. 3



Pos. 4



Pos. 5



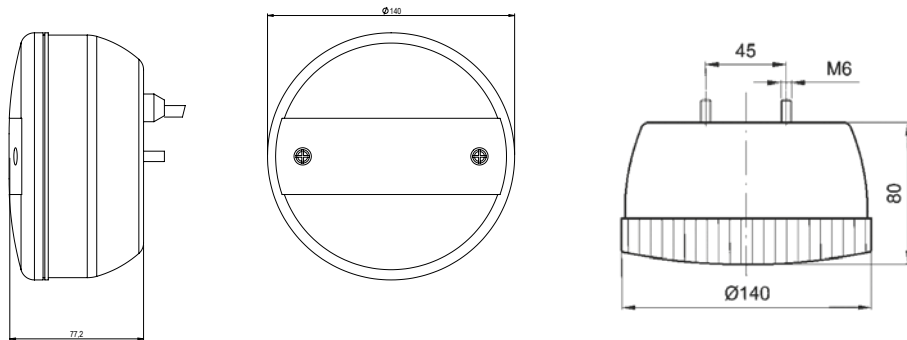
Pos. 6

Lens, left, with 4 screws	1	<b>098 296 351</b> 92.0000.1679
Lens, right, with 4 screws	1	<b>098 296 352</b> 92.0000.1680
Protection cover for tail light	2	<b>098 296 710</b> 92.0000.6877
LED Outer end marker, left - 500 mm connection cable open end	3	<b>098 241 427</b> 92.0000.1560
LED Outer end marker, right - 500 mm connection cable open end	3	<b>098 241 428</b> 92.0000.1561
Bulb 24V 5W HD, BA15s - for position light	4	<b>091 624 075</b> 92.0000.5884
Bulb 24V 21W amber HD, BAU15s - with amber lens for clear direction indicator light	5	<b>091 624 078</b> 92.0000.5885
Bulb 24V 21W HD, BA15s - for stop- and rear fog light	6	<b>091 624 071</b> 92.0000.5882

### TM1 GL - Tail lights bulb



\*\* ) 098212354 with HD bulb    \*) Version with H3 bulb - have no E-Approval



### Description

Tail lights bulb - Pos. 1, 3 and 4 is delivered without bulb

Lens: PMMA  
 Housing: ABS  
 Dimension: Ø140 mm x 80 mm  
 Bolt distance: 45 mm / M6



Operating voltage	IP Rating	Position	Stop	Dir. indicator	Reverse	Reverse - H3 bulb	Rear fog	License plate	Connection	Pos.	Article No.
-------------------	-----------	----------	------	----------------	---------	-------------------	----------	---------------	------------	------	-------------

12/24V	IP54	✓	✓	✓					Cable lead through rubber grommet	1	<b>098 212 352</b> 92.0000.1504
12/24V	IP54	✓	✓	✓				✓	Cable lead through rubber grommet	1	<b>098 212 356</b> 92.0000.1505
12/24V	IP54	✓	✓	✓					7 poled AMP 1.5 socket	2	<b>098 212 354**</b> 92.0000.8307
12/24V	IP54	✓	✓	✓					7 poled AMP 1.5 socket	2	<b>098 212 351</b> 92.0000.1503
12/24V	IP54				✓	✓			Cable lead through rubber grommet	3	<b>098 256 040*</b> 92.0000.1591
12/24V	IP54						✓		Cable lead through rubber grommet	4	<b>098 256 050</b> 92.0000.1593



## Spare parts TM1 GL - Tail lights bulb



Pos. 1



Pos. 2



Pos. 3



Pos. 4



Pos. 5



Pos. 6



Pos. 7

Lens for position light with 2 screws and 1 sealing Suitable for 098 212 352 / 356 / 351	1	<b>098 292 354</b> 92.0000.5735
Lens, transparent for reverse light Suitable for 098 256 040	2	<b>098 292 242</b> 92.0000.5891
Chrome ring and built-in kit	3	<b>098 292 360</b> 92.0000.1668
Protection cover for reverse light	4	<b>098 296 720</b> 92.0000.1681
Bulb 24V 5W HD BA15s - for position light	5	<b>091 624 075</b> 92.0000.5884
Bulb 24V 21W HD BA15s - for stop- and rear fog	6	<b>091 624 071</b> 92.0000.5882
Halogen headlight H3, bulb 24V 70W H3, PK22s	7	<b>091 324 003</b> 92.0000.5881



# LICENSE PLATE LIGHT

---



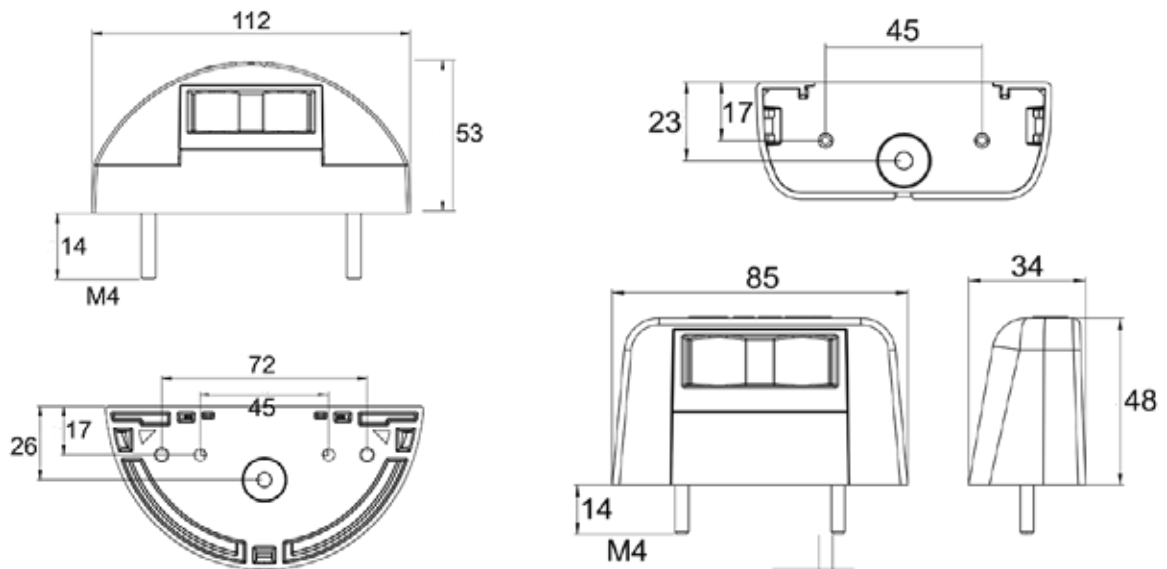
LED License plate light 12/24V



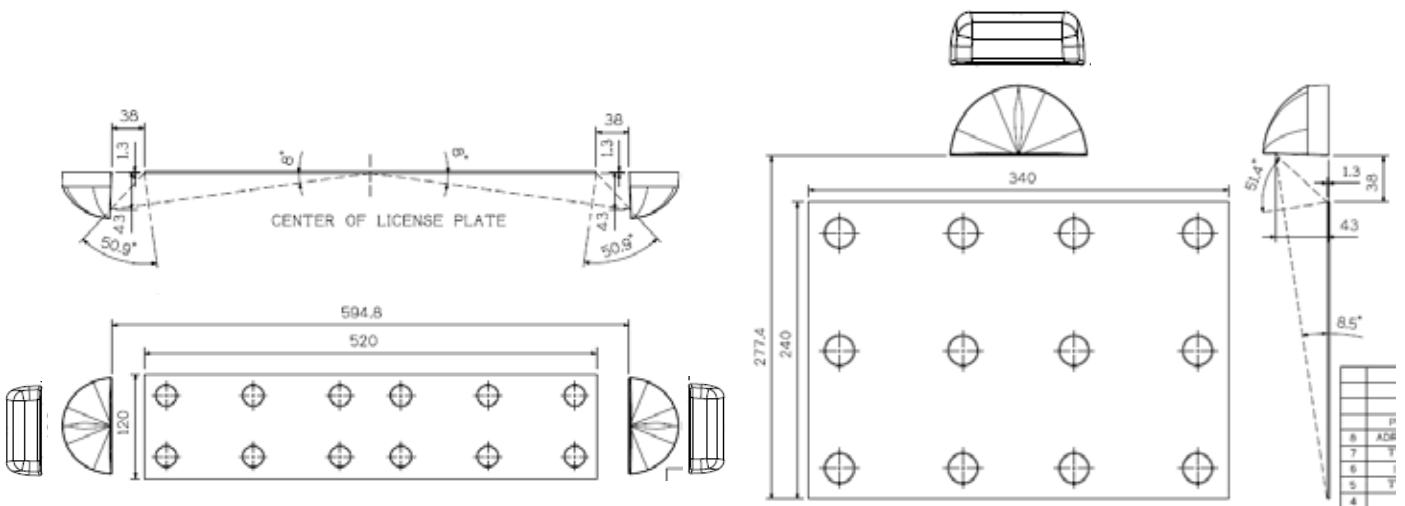
Pos. 1



Pos. 2



Both types are Certified for the application as shown:



## LED License plate light 12/24V

### Description

Lens: PMMA  
 Housing: ABS

#### Half-round design

Dimension: 112 x 57 x 53 mm  
 Bolt distance: 45 mm or 72 mm / M4

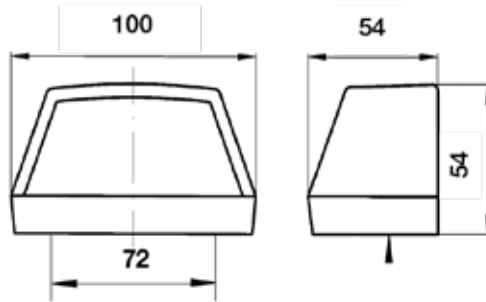
#### Square design

Dimension: 85 x 34 x 48 mm  
 Bolt distance: 45 mm / M4

Operating voltage	IP Rating	Connection	Cable length	Bolt hole distance	LED	Pos.	Article No.
12/24V	IP54	Click-in 1,5 mm <sup>2</sup>	500 mm	45 / 72 mm	2	1	<b>098 254 330</b> 92.0000.6550
12/24V	IP54	Click-in 1,5 mm <sup>2</sup>	500 mm	45 mm	2	2	<b>098 254 340</b> 92.0000.6554
12/24V	IP54	Click-in 1,5 mm <sup>2</sup>	1.500 mm	45 / 72 mm	2	1	<b>098 254 332</b> 92.0000.6551
12/24V	IP54	Click-in 1,5 mm <sup>2</sup>	1.500 mm	45 mm	2	2	<b>098 254 342</b> 92.0000.6555
12/24V	IP54	Super Seal Steckdose	500 mm	45 / 72 mm	2	1	<b>098 254 334</b> 92.0000.6552
12/24V	IP54	Super Seal Steckdose	500 mm	45 mm	2	2	<b>098 254 344</b> 92.0000.6556
12/24V	IP54	Super Seal plug	1.200 mm	45 / 72 mm	2	1	<b>098 254 335</b> 92.0000.7168
12/24V	IP54	Super Seal plug	1.200 mm	45 mm	2	2	<b>098 254 345</b> 92.0000.7169
12/24V	IP54	Super Seal plug	2.000 mm	45 / 72 mm	2	1	<b>098 254 350</b> 92.0000.7913
12/24V	IP54	Open end	2.500 mm	45 / 72 mm	2	1	<b>098 254 336</b> 92.0000.6553
12/24V	IP54	Open end	2.500 mm	45 mm	2	2	<b>098 254 346</b> 92.0000.6557
12/24V	IP54	Cable lead through rubber grommet	--	45 / 72 mm	2	1	<b>098 254 338</b> 92.0000.7557
12/24V	IP54	Cable lead through rubber grommet	--	45 mm	2	2	<b>098 254 348</b> 92.0000.7007

LED diode unit: IP69K capability

## LED License plate light 12/24V



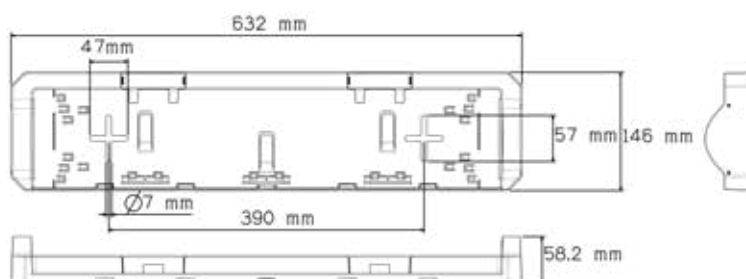
### Description

Lens: PMMA  
 Housing: ABS  
 Dimension: 100 x 54 x 54 mm  
 Bolt distance: 72 mm / M4

Operating voltage	IP Rating	Light source	Connection	Cable length	Bolt distance	Article no.
24V	IP67	LED	Cable lead through rubber grommet	---	72 mm	<b>098 254 167</b> 92.0000.6054
24V	IP67	LED	Click-In	500 mm	72 mm	<b>098 254 251</b> 92.0000.6508

## LED license plate carrier 24V

Ⓔ EMC




### Description

Dimensions: L x B x H: 625 x 145 x 55 mm

Bolt distance: 445-535 mm / Ø7 mm

Material: Black ABS

Consumption: 0,8W

Operating voltage	Light source	Connection	Cable length	Bolt distance	ADR	Artikel-Nr.
24V	LED	Click-In	500 mm	445-535 mm / Ø7		<b>098 254 324</b> 92.0000.1583
24V	LED	Super-Seal-Stecker	1800 mm	445-535 mm / Ø7		<b>098 254 326</b> 92.0000.9182

## Clips for license plate carrier



Clips for license plate carrier. 2 clips are needed for each license plate carrier.

**098 292 300**  
92.0000.9259





# OUTER END MARKER LIGHT

---



**LED Outer end marker light ( 45°) 12/24V**

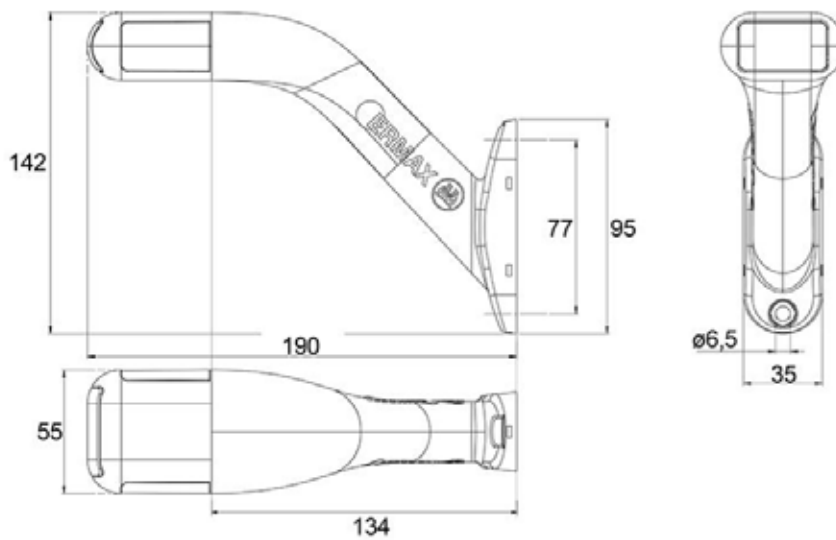


Pos. 1



Pos. 2

Possibility of having the cable at the side of the mounting foot



**Description**

With clear lens - lighting red, amber and white

- Lens: Impact resistant polycarbonate
- Housing: Rubber
- Bolt distance: 77 mm / Ø 6,5

### LED Outer end marker light ( 45°) 12/24V

Left ← Right →	Operating voltage	IP Rating	Connection	Cable length	Light colour	Pos.	Article No.
←	12/24V	IP69K	Click-in 1,5 mm <sup>2</sup>	1.500 mm	red / white / amber	1	<b>098 241 422</b> 95.0000.0005
→	12/24V	IP69K	Click-in 1,5 mm <sup>2</sup>	1.500 mm	red / white / amber	1	<b>098 241 423</b> 95.0000.0006
←	12/24V	IP69K	Super Seal socket	1.500 mm	red / white / amber	1	<b>098 241 425</b> 95.0000.0086
→	12/24V	IP69K	Super Seal socket	1.500 mm	red / white / amber	1	<b>098 241 426</b> 95.0000.0087
←	12/24V	IP69K	Open end	1.500 mm	red / white / amber	1	<b>098 241 427</b> 92.0000.1560
→	12/24V	IP69K	Open end	1.500 mm	red / white / amber	1	<b>098 241 428</b> 92.0000.1561
←	12/24V	IP69K	Open end	5.000 mm	red / white / amber	1	<b>098 241 429</b> 92.0000.1562
→	12/24V	IP69K	Open end	5.000 mm	red / white / amber	1	<b>098 241 430</b> 92.0000.1563
→	12/24V	IP69K	Super Seal plug	300 mm	red / white / amber	1	<b>098 241 448</b> 92.0000.7050
←	12/24V	IP69K	Super Seal plug	300 mm	red / white / amber	1	<b>098 241 449</b> 92.0000.7051



Suitable for mounting on flat surfaces, with the possibility of having the cable at the side of the mounting foot. Also there is the possibility to connect the outer end marker to the tail lights or the rear cable with Super Seal connection

→	12/24V	IP69K	Super Seal plug	300 mm	red / white / amber	2	<b>098 241 438</b> 92.0000.6355
←	12/24V	IP69K	Super Seal plug	300 mm	red / white / amber	2	<b>098 241 439</b> 92.0000.6356

**LED Outer end marker light 12/24V**



**Description**

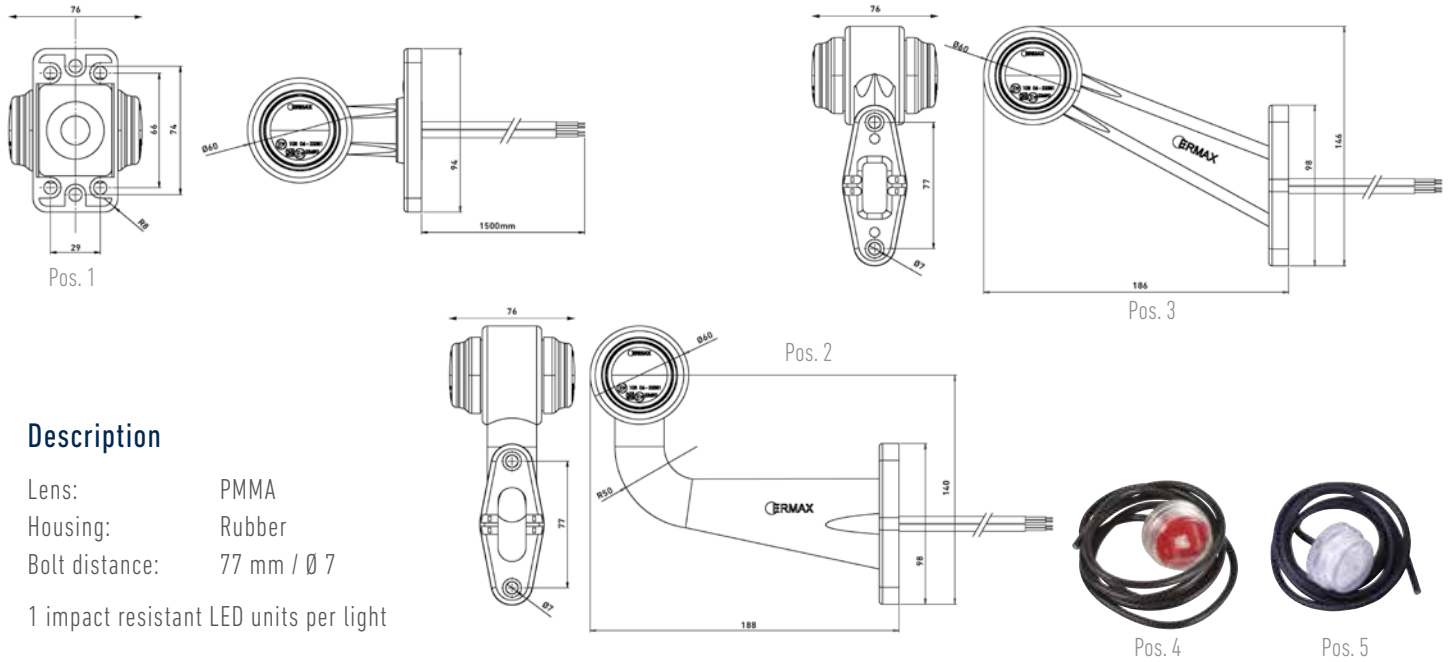
With clear lens - lighting red, amber and white

- Lens: Impact resistant polycarbonat
- Housing: Rubber
- Bolt distance: 77 mm / Ø 6,5

Left ← Right →	Operating voltage	IP Rating	Connection	Cable length	Light colour	Article No.
-------------------------	-------------------	-----------	------------	--------------	--------------	-------------

← →	12/24V	IP69K	Super Seal socket	500 mm	red / white / amber	<b>098 241 205</b> 92.0000.5870
← →	12/24V	IP69K	Super Seal socket	1.500 mm	red / white / amber	<b>098 241 215</b> 92.0000.5872
← →	12/24V	IP69K	Click-in 1,5 mm <sup>2</sup>	1.500 mm	red / white / amber	<b>098 241 211</b> 92.0000.5871
← →	12/24V	IP69K	Open end	1.500 mm	red / white / amber	<b>098 241 216</b> 92.0000.5873
← →	12/24V	IP69K	Open end	5.000 mm	red / white / amber	<b>098 241 217</b> 92.0000.5874
← →	12/24V	IP69K	Super Seal plug	300 mm	red / white / amber	<b>098 241 218</b> 92.0000.7490

## LED Outer end marker light 12/24V - Classic 1



### Description

Lens: PMMA  
 Housing: Rubber  
 Bolt distance: 77 mm / Ø 7  
 1 impact resistant LED units per light

Left ← Right →	Operating voltage	IP Rating	Connection	Cable length	Light source	Light color	Pos.	Article no.
← →	12/24V	IP67	Super Seal socket	500 mm	1 LED	red / white	1	<b>098 241 005</b> 92.0000.9066
← →	12/24V	IP67	Open end	1.500 mm	1 LED	red / white	1	<b>098 241 000</b> 92.0000.9065
← →	12/24V	IP67	Open end	1.500 mm	1 LED	red / white	2	<b>098 241 050</b> 92.0000.9067
← →	12/24V	IP67	Super Seal socket	500 mm	1 LED	red / white	2	<b>098 241 055</b> 92.0000.9068
← →	12/24V	IP67	Super Seal plug	300 mm	1 LED	red / white	2	<b>098 241 056</b> 90.0000.9069
← →	12/24V	IP67	Open end	1.500 mm	1 LED	red / white	3	<b>098 241 090</b> 92.0000.9070

### Spare parts

LED - red unit with 1.250 mm connection cable	4	<b>098 291 001</b> 92.0000.9077
LED - clear unit with 1.250 mm connection cable	5	<b>098 291 000</b> 92.0000.9076

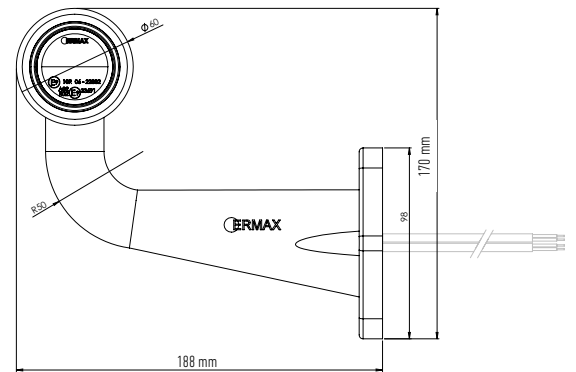
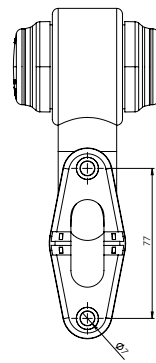
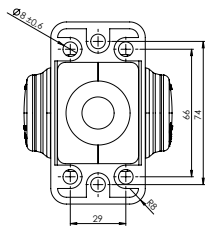
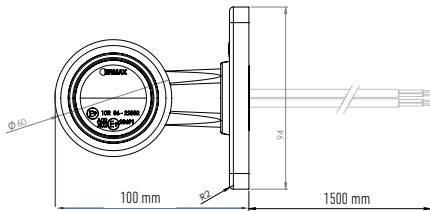
## Outer end marker light LED 12/24V - Classic 2



Pos. 1



Pos. 2



### Description

Lens: PMMA  
 Housing: Rubber  
 Bolt distance Pos 1: 74 mm / 2 x Ø7 + 66 mm / 4 x Ø7  
 Bolt distance Pos 2: 77 mm / 2 x Ø7

2 impact resistance LED units per light



Pos. 4

Pos. 5

Pos. 6



Left ← Right →	Light source	IP Rating	Operating voltage	Connection	Cable length	Light color	Pos.	Article no.
-------------------	--------------	-----------	-------------------	------------	--------------	-------------	------	-------------

← →	LED	IP67	12/24V	Open end	1500 mm	red / white	1	<b>098 241 600</b> 92.0000.9071
← →	LED	IP67	12/24V	Open end	1500 mm	red / white	2	<b>098 241 650</b> 92.0000.9072

### Spare parts

Rubber grommet for 098 241 014	4	<b>098 291 119</b>
LED unit, red	5	<b>098 291 031</b> 92.0000.9079
LED unit, white	6	<b>098 291 030</b> 92.0000.9078

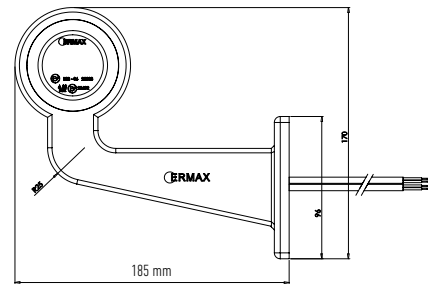
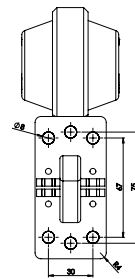
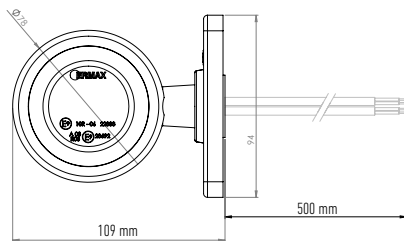
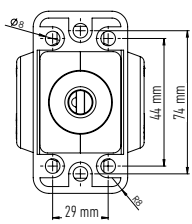
Outer end marker light / Direction indicator light LED 12/24V - Classic XL



Pos 1



Pos 2



Description

Lens: PMMA

Housing: Rubber

Bolt distance Pos 1: 74 mm / 2 x Ø8 + 64 mm / 4 x Ø8

Bolt distance Pos 2: 75 mm / 2 x Ø8 + 67 mm / 4 x Ø

2 variants - short straight variant (possible to turn 360°) - angled variant 45°

2 impact resistant LED units in each outer end marker light - 6 LEDs per LED unit



Pos. 5



Pos. 6



Pos. 7



Left ← Right →	Light source	IP Rating	Operating voltage	Connection	Cable length	Light color	Pos	Article no.
← →	LED	IP67	12/24V	Open end	500 mm	red / white	1	<b>098 241 800</b> 92.0000.9073
← →	LED	IP67	12/24V	Open end	2500 mm	red / white	1	<b>098 241 802</b> 92.0000.9243
← →	LED	IP67	12/24V	Super Seal plug	500 mm	red / white	1	<b>098 241 805</b> 92.0000.9238
← →	LED	IP67	12/24V	Open end	500 mm	red / white	2	<b>098 241 850</b> 92.0000.9074
← →	LED	IP67	12/24V	Open end	2500 mm	red / white	2	<b>098 241 852</b> 92.0000.9220
← →	LED	IP67	12/24V	Super Seal plug	500	red / white	2	<b>098 241 855</b> 92.0000.9239

Spare parts

LED unit, red (outer end marker light)	5	<b>098 291 041</b> 92.0000.9080
LED unit, white (outer end marker light)	6	<b>098 291 040</b> 92.0000.9081
Rubber grommet for 098 221 076	7	<b>098 291 119</b>





# POSITION SIDE & MARKERS

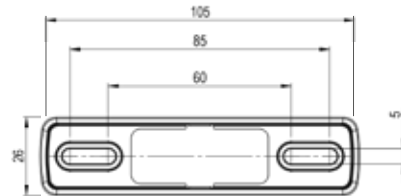
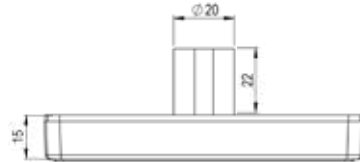
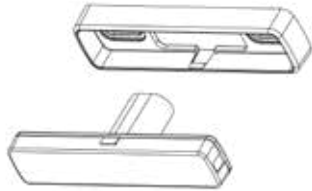
---



LED Side marker 12/24V



Standard frame - with Super Seal socket



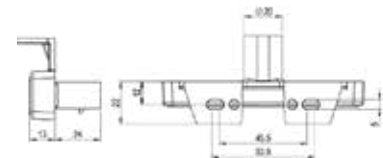
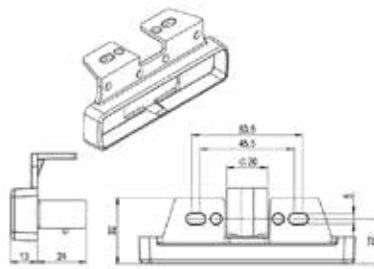
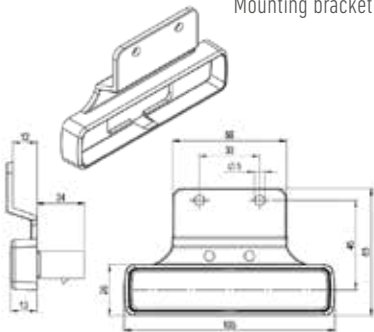
Mounting bracket straight



Backwards 90°



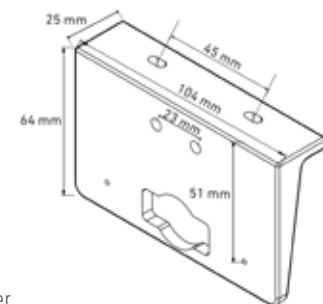
Forwards 90°




- Mounting without visible screws
- 2 LED
- 4 Mounting variants
- 3 cable versions
- IP69K Rating



Universal Rubber holder



Description

LED Side marker- and position light  
 2 LED and with reflex reflector  
 IP69K rating

Lens:	PMMA
Housing:	ABS
Frame:	PP
Dimension:	B105 x H26 x T13 mm (standard frame)
Variable hole distance:	60-85 mm

## LED Side marker 12/24V

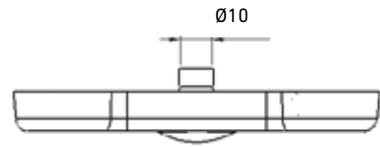
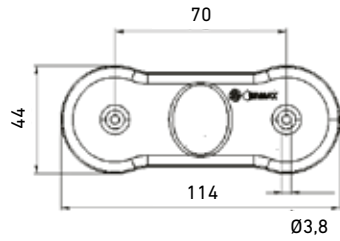
Mounting bracket	Connection	Cable length	Operating voltage	Side marker amber	Position lights White	Position lights Red
Standard frame	Super Seal socket	---	12/24V	<b>098 221 726</b> 92.0000.6011	<b>098 230 726</b> 92.0000.6028	<b>098 204 726</b> 92.0000.6005
Straight	Super Seal socket	----	12/24V	<b>098 221 742</b> 92.0000.6018		
90° bracket backwards	Super Seal socket	----	12/24V	<b>098 221 748</b> 92.0000.6021		
90° bracket forwards	Super Seal socket	----	12/24V	<b>098 221 756</b> 92.0000.6024		
Standard frame	Super Seal socket	500 mm	12/24V	<b>098 221 727</b> 92.0000.7969		
90° bracket backwards	Super Seal socket	1.500 mm	12/24V	<b>098 221 745</b> 92.0000.7958		
Standard frame	Super Seal plug	5.000 mm	12/24V		<b>098 230 736</b> 92.0000.8139	
Standard frame	Click-in	500 mm	12/24V	<b>098 221 720</b> 92.0000.6008	<b>098 230 720</b> 92.0000.6024	<b>098 204 720</b> 92.0000.6002
Standard frame	Click-in	1.500 mm	12/24V	<b>098 221 722</b> 92.0000.6009	<b>098 230 722</b> 92.0000.6025	<b>098 204 722</b> 92.0000.6003
Standard frame	Click-in	5.000 mm	12/24V	<b>098 221 724</b> 92.0000.6010	<b>098 230 724</b> 92.0000.6026	<b>098 204 724</b> 92.0000.6004
Straight mounting bracket	Click-in	1.500 mm	12/24V	<b>098 221 740</b> 92.0000.6017		
90° bracket backwards	Click-in	500 mm	12/24V	<b>098 221 744</b> 92.0000.6019		
90° bracket backwards	Click-in	1.500 mm	12/24V	<b>098 221 746</b> 92.0000.6020		
90° bracket forwards	Click-in	500 mm	12/24V	<b>098 221 752</b> 92.0000.6022		
90° bracket forwards	Click-in	1.500 mm	12/24V	<b>098 221 754</b> 92.0000.6023		
Standard frame	Open end	500 mm	12/24V	<b>098 221 730</b> 92.0000.6012		
Standard frame	Open end	2.500 mm	12/24V	<b>098 221 732</b> 92.0000.6013	<b>098 230 732</b> 92.0000.6030	<b>098 204 732</b> 92.0000.6006
Standard frame	Open end	5.000 mm	12/24V	<b>098 221 734</b> 92.0000.6014	<b>098 230 734</b> 92.0000.6031	<b>098 204 734</b> 92.0000.6007
Standard Rahmen	Super Seal Stecker	5.000	12/24V		<b>098 230 736</b> 92.0000.7523	

## Spare parts

Standard frame	<b>098 292 700</b> 92.0000.6032
Mounting bracket, straight, hole distance 30 mm	<b>098 292 701</b> 92.0000.6033
Mounting bracket - 90° bracket backwards, hole distance 30-55 mm	<b>098 292 702</b> 92.0000.6034
Mounting bracket - 90° bracket forwards, hole distance 30-55 mm	<b>098 292 703</b> 92.0000.6035
Universal rubber holder- 90° bracket backwards, hole distance 45-55 mm	<b>098 292 629</b> 92.0000.7559

\*1 This article no. is not in stock - are only produced at customer specification in larger quantities

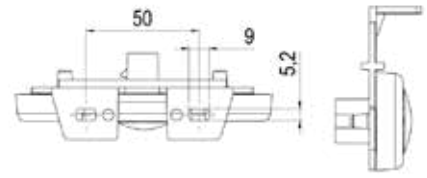
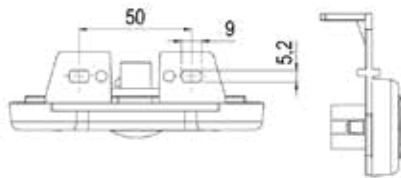
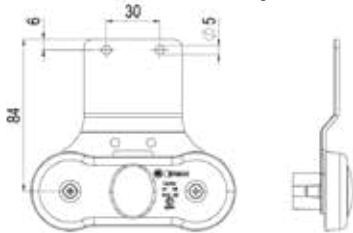
LED Side marker - 12/24V



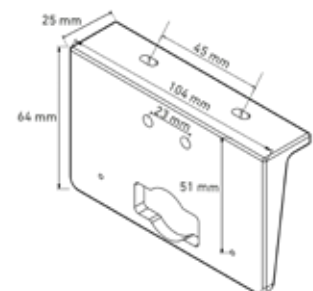
Mounting bracket Straight

Rear 90°

Forwards 90°




- Standardized mounting
- 2 LEDs
- 4 Mounting-variants
- 4 cable-versions
- IP69K Rating



Universal rubber bracket

Description

LED Side marker- and position light

2 LEDs and with reflex reflector

Mounting screw with Ø4 must be used

Lens: PMMA

Housing: ABS

Frame: PP

Dimension: B114 x H44 x T16 mm

Hole distance: 70 mm

IP69K rating

### LED Side marker - 12/24V

Mounting bracket	Connection	Cable length	Operating voltage	Side marker amber	Position lights White	Position lights Red
Without mounting bracket	Super Seal socket	- - -	12/24V	<b>098 221 620</b> <i>95.0000.0091</i>	<b>098 230 401</b> <i>95.0000.0089</i>	<b>098 204 501</b> <i>95.0000.0090</i>
Straight mounting bracket	Super Seal socket	- - -	12/24V	<b>098 221 630</b> <i>92.0000.1533</i>		
90° bracket backwards	Super Seal socket	- - -	12/24V	<b>098 221 640</b> <i>95.0000.0093</i>	<b>098 230 430</b> <i>92.0000.1549</i>	
90° bracket forwards	Super Seal socket	- - -	12/24V	<b>098 221 650</b> <i>92.0000.1536</i>		
Without mounting bracket	Super Seal socket	500 mm	12/24V	<b>098 221 635</b> <i>92.0000.6867</i>		
Without mounting bracket	Super Seal socket	1.500 mm	12/24V	<b>098 221 628</b> <i>92.0000.5374</i>	<b>098 230 428</b> <i>92.0000.5375</i>	
90° bracket forwards	Super Seal socket	1.500 mm	12/24V	<b>098 221 664</b> <i>92.0000.5354</i>		
90° bracket backwards	Super Seal socket	1.500 mm	12/24V	<b>098 221 662</b> <i>92.0000.5353</i>		
Without mounting bracket	Super Seal plug	2.500 mm	12/24V		<b>098 230 418</b> <i>92.0000.9228</i>	
Without mounting bracket	Super Seal plug	5.000 mm	12/24V	<b>098 221 627</b> <i>92.0000.5781</i>		
Without mounting bracket	Super Seal plug	10.000 mm	12/24V	<b>098 221 629</b> <i>92.0000.5782</i>	<b>098 230 431</b> <i>92.0000.5783</i>	
Without mounting bracket	Click-in	500 mm	12/24V	<b>098 221 621</b> <i>92.0000.1528</i>	<b>098 230 405</b> <i>92.0000.1545</i>	<b>098 204 502</b> <i>92.0000.1486</i>
Without mounting bracket	Click-in	1.500 mm	12/24V	<b>098 221 622</b> <i>92.0000.1001</i>	<b>098 230 415</b> <i>95.0000.0004</i>	<b>098 204 503</b> <i>92.0000.1487</i>
Without mounting bracket	Click-in	5.000 mm	12/24V	<b>098 221 623</b> <i>92.0000.1529</i>	<b>098 230 450</b> <i>92.0000.1550</i>	<b>098 204 504</b> <i>92.0000.1458</i>
Straight mounting bracket	Click-in	500 mm	12/24V	<b>098 221 631</b> <i>92.0000.1534</i>		
90° bracket backwards	Click-in	500 mm	12/24V	<b>098 221 641</b> <i>92.0000.1007</i>		
90° bracket backwards	Click-in	1.500 mm	12/24V	<b>098 221 642</b> <i>92.0000.1535</i>		
90° bracket forwards	Click-in	500 mm	12/24V	<b>098 221 651</b> <i>92.0000.1537</i>		
90° bracket forwards	Click-in	1.500 mm	12/24V	<b>098 221 652</b> <i>95.0000.0017</i>		
Without mounting bracket	Open end	500 mm	12/24V	<b>098 221 624</b> <i>92.0000.1530</i>	<b>098 230 420</b> <i>92.0000.1546</i>	<b>098 204 505</b> <i>92.0000.1489</i>
Without mounting bracket	Open end	1.500 mm	12/24V	<b>098 221 625</b> <i>92.0000.1531</i>	<b>098 230 425</b> <i>92.0000.1547</i>	
Without mounting bracket	Open end	2.500 mm	12/24V			<b>098 204 506</b> <i>92.0000.5531</i>
Without mounting bracket	Open end	5.000 mm	12/24V	<b>098 221 626</b> <i>92.0000.1532</i>	<b>098 230 427</b> <i>92.0000.1548</i>	<b>098 204 507</b> <i>92.0000.1490</i>

### Spare parts LED Side marker - 12/24V



Pos. 1 - Straight



Pos. 2 - Rear 90°



Pos. 3 - Forwards 90°



Pos. 4



Pos. 5



Pos. 6



Pos. 7



Pos. 8



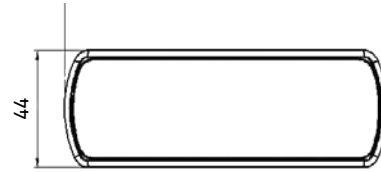
Example with Pos. 7 + 8

Mounting bracket, straight, bolt distance 30 mm	1	<b>098 292 622</b> 92.0000.1671
Mounting bracket - 90° bracket backwards,, bolt distance 30-55 mm	2	<b>098 292 620</b> 92.0000.1669
Mounting bracket - 90° bracket forwards, bolt distance 30-55 mm	3	<b>098 292 621</b> 92.0000.1670
Gasket - 10 pcs packing unit, black rubber	4	<b>098 292 626</b> 92.0000.1672
Rivet - 20 pcs packing unit, black plastic, Ø4 mm	5	<b>098 291 602</b> 92.0000.1663
Rivet - 100 pcs packing unit, black plastic, Ø4 mm	5	<b>098 291 610</b> 92.0000.1665
Mounting bracket, rubber, for mudwingholders. Usable with Ermax sider marker light	6	<b>098 292 627</b> 92.0000.7559
Universal rubber bracket - 90° bracket backwards, bolt distance 45-55 mm	7	<b>098 292 629</b> 92.0000.7446
Mounting bracket, rubber, for mudwingholders. Usable with Ermax position light	8	<b>098 292 628</b> 92.0000.7446

LED Side marker 12/24V



Flat mounting - Without mounting bracket



Backwards 90°



Pos. 1

Description

LED Side marker- and position light - Bi-polarity  
4 light diodes and with reflex reflector

- Lens: PMMA
- Housing: PP
- Dimension: B122 x H44 x T17 mm (without mounting bracket)
- Variable hole distance: 65 - 90 mm

Mounting bracket	Connection	Cable length	Operating voltage	IP Rating	Position White	Side marker amber	Position Red
Flat mounting	Open end	500 mm	12/24V	IP67	<b>098 230 601</b> 92.0000.1551	<b>098 221 601</b> 92.0000.1523	<b>098 203 601</b> 92.0000.1481
Flat mounting	Open end	5.000 mm	12/24V	IP67	<b>098 230 605</b> 92.0000.1552	<b>098 221 605</b> 92.0000.1524	<b>098 203 605</b> 92.0000.1482
Flat mounting	Open end	10.000 mm	12/24V	IP67		<b>098 221 610</b> 92.0000.1525	
90° bracket backwards	Open end	500 mm	12/24V	IP67		<b>098 221 611</b> 92.0000.1526	

Spare parts

Protective body, steel plate, untreated	Suitable for flat mounting lights	Pos. 1	<b>098 291 917</b> 92.0000.9457
---	-----------------------------------	--------	------------------------------------





# REAR UNDERRUN PROTECTION BAR

---



## The strong solution at the market

Individually adapted for optimal use

### Certified production

In Denmark, ERMAX assembles the complete rear underrun protection bar solutions at own production facilities in Denmark according to the "Kraftfahr Bundesamt" certified "Conformity of Production". Each variant of the rear underrun protection bar is individually adapted. This ensures optimal positioning of the lights and perfect cable structure. This saves weight and increases the life time of the components, makes installation easier and at the same time guarantees a short and reliable delivery time.

### Highlights

- Connection via one interface and 8 T-bolts
- Fully anodized rear underrun protection bar - can also be laquered
- Integration of
  - LED failure control on direct indicator and stop light
  - SIMAC® control
  - Junction box
- Certified according to all relevant standards (ECE R58 Rev. 02 or ECE 58 Rev. 03) and regulations in Europe
- Weight optimized
- TM5, TM10, TM11 and TM16 with impact resistant lens made of polycarbonate



### High-quality Design - various applications

ERMAX produces two different rear underrun protection bar profiles - one with the approval according to ECE R58-02 and one according to the new regulation ECE R58-03. The versions of the ERMAX rear underrun protection bar consist of five design variants.

The different versions are available with the following options: LED failure control, SIMAC control (flashing side marker lights), with plugs or with junction box. You will find information about the various types on the following pages.

All variants are supplied with a protection cover over the junction box or over the connectors of the tail lights.



TM4



TM5 - Polycarbonate



TM7



TM16 - Polycarbonate

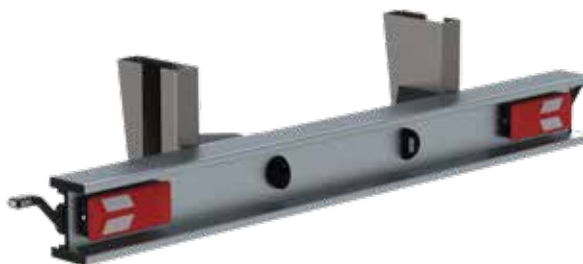


TM11 - Polycarbonate

# Distances and dimensions

## Legal requirements ECE R58 revision 3

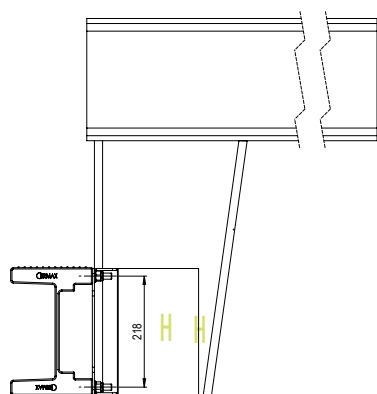
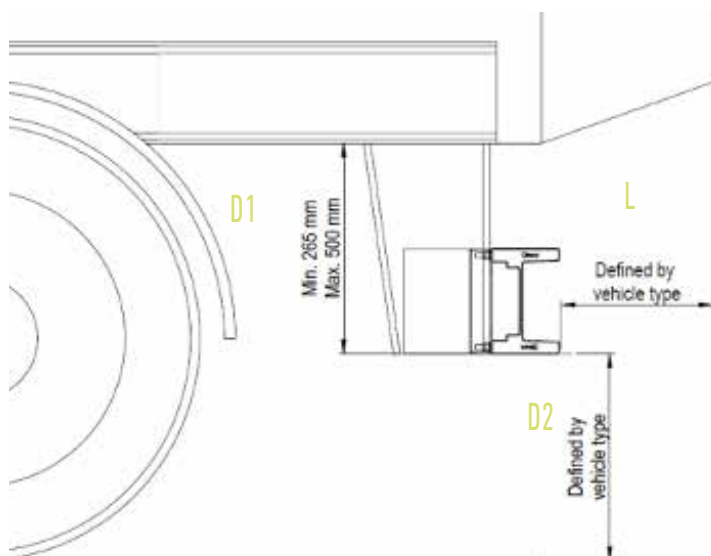
Since the rear underrun protection bar is a safety solution, it is governed by strict legal requirements. This increases safety for both the driver and other road users. That is why there are also legal requirements and safety clearances about where the underrun protection bar has to be placed on the vehicle.



The new ERMAX rear underrun protection bar with

- Total weight of only 28 kg
- Mounting brackets of 8 kg

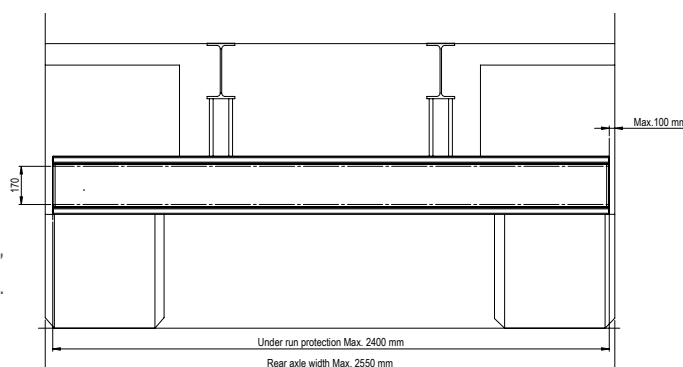
meets the new requirements according to ECE R58-03.



The side engagement of the rear underrun protection bar must be 0 - 100 mm, and must be the same size on both sides.

- L Maximum permissible overhang**  
300 mm (R58.03)  
400 mm (R58.02)
- D1 Permissible height of the consoles**  
Minimum 265 mm (R58-02 / R58-03)  
Maximum 500 mm (R58-02 / R58-03)
- D2 Maximum permissible ground clearance (vehicle not loaded)**  
450 mm (R58-03)  
550 mm (R58-02)
- H Permissible minimum profile height of the underrun protection bar**  
120 mm (R58-03)  
100 mm (R58-02)

The permissible dimensions can vary depending on the vehicle category and chassis type.



## Impressive technology

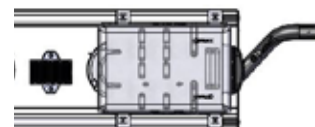
Individual solutions as required

There are various designs of the rear underrun protection bar solutions from ERMAX. These designs consist of various components with innovative solutions and control units - offering a very flexible rear underrun protection bar customized for the individual vehicle and needs.

The following control units and solutions are integrated in the ERMAX rear underrun protection bar.

### LED failure control

- Built-in intelligent control for monitoring and failure report of LED tail lights according to ECE R48 – for indicator and stop functions.
  - The use of a technology which is NOT limited to ISO13207 and therefore suitable for all vehicles\*.
  - Facilitates the overall assembly of the vehicle significantly - no additional parts required.
- \* Valid for all known brands in the EU countries from 11/2019.



### SIMAC® Control system - flashing side marker lights

- Intelligent control of flashing side marker lights SIMAC® according to ECE R48.
- Strong contribution to increasing road safety.
- Facilitates the overall assembly of the vehicle significantly - no additional parts required.

### Junction box / Plug connections

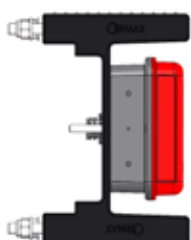
- ERMAX offers the classical solution with junction box where all cables from the lights are led into the box without external plugs.
- As an alternative solution ERMAX offers a solution with AMP and Super-Seal plugs connected behind the lights. This makes the direct access possible and thus a faster replacement by e.g. collision damages of a light.



### Always a safe choice no matter what light

- Due to the form of the profile – not only from the back – but also from the front, the lights are safely placed and thus protected from the front and rear side.
- Due to the over and underlying profiles the lights are protected against most collisions.

Examples ECE R58-3



TM10 Tail light



TM11 Tail light



TM5 Tail light



TM4 Tail light

## Optimal use

### Long-term quality installation

All plugs are designed to meet IP69K for use at the rear of the vehicle.

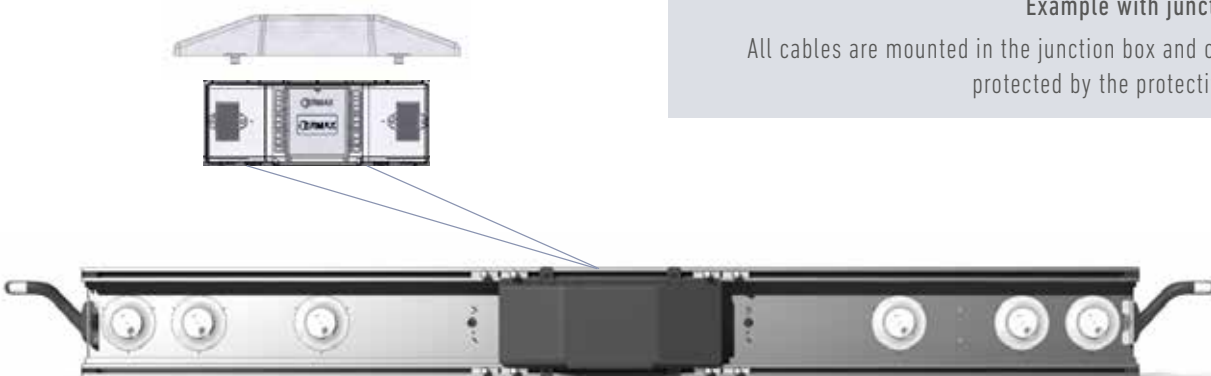
In order not just to secure a long-lasting functionality but also a long-lasting protected installation, every system with plugs also has a cover solution.

For solutions with junction box, a protective cap is mounted over the box.



#### Example with plugs behind the lights.

All plug connections are mounted under the protection cover and thus optimally protected.



#### Example with junction box.

All cables are mounted in the junction box and optimally protected by the protective cover.

The fully configured underrun protection bar can be installed via just one interface (without SIMAC) - through the pre-assembled rear cable with 15-pin bayonet socket together with 8 T-bolts. **Simple and time-optimized.**

## Rear underrun protection bar with TM5 tail lights

### Unbeatable durability

- Space-saving – ultra slim built-in depth of the TM5 tail lights
- Unsurpassed durability – impact resistant lens made of polycarbonate
- Increased traffic security – Eternal Light technology



Measure (WxDxH): 2780 (2400 mm without OEM) x 120 x 250 mm

### Variant - ECE R58-02

Article no.	Type	Junction box	SIMAC	LED failure control	
				Direct indicator	Stop
<b>098 258 100</b> 92.0000.7588	LED	-	-	-	-
<b>098 258 110</b> 92.0000.7589	LED	-	-	✓	-
<b>098 258 130</b> 92.0000.7591	LED	-	✓	✓	-
<b>098 258 140</b> 92.0000.7592	LED	✓	-	-	-
<b>098 258 150</b> 92.0000.7593	LED	✓	-	✓	-
<b>098 258 160</b> 92.0000.7594	LED	✓	✓	-	-
<b>098 258 170</b> 92.0000.7595	LED	✓	✓	✓	-

Measure (WxDxH): 2780 (2400 mm without OEM) x 160 x 252 mm

### Variant - ECE R58-03

Article no.	Type	Junction box	SIMAC	LED failure control	
				Direct indicator	Stop
<b>098 259 100</b> 92.0000.8262	LED	-	-	-	-
<b>098 259 110</b> 92.0000.8263	LED	-	-	✓	-
<b>098 259 130</b> 92.0000.8264	LED	-	✓	✓	-
<b>098 259 140</b> 92.0000.8265	LED	✓	-	-	-
<b>098 259 150</b> 92.0000.8266	LED	✓	-	✓	-
<b>098 259 155</b> 92.0000.8267	LED	✓	-	✓	✓
<b>098 259 170</b> 92.0000.8268	LED	✓	✓	✓	-
<b>098 259 175</b> 92.0000.8269	LED	✓	✓	✓	✓

## Rear underrun protection bar with TM7 tail lights

### Classical solution

- Compact round lights with a chrome look
- Easy mounting
- Classical LED look



Measure (WxDxH): 2780 (2400 mm without OEM) x 120 x 250 mm

### Variant - ECE R58-02

Article no.	Type	Junction box	SIMAC	LED failure control	
				Direct indicator	Stop
<b>098 258 200</b> 92.0000.7596	LED	-	-	-	-
<b>098 258 210</b> 92.0000.7597	LED	-	-	✓	-
<b>098 258 230</b> 92.0000.7599	LED	-	✓	✓	-
<b>098 258 240</b> 92.0000.7600	LED	✓	-	-	-
<b>098 258 250</b> 92.0000.7601	LED	✓	-	✓	-
<b>098 258 260</b> 92.0000.7602	LED	✓	✓	-	-
<b>098 258 270</b> 92.0000.7603	LED	✓	✓	✓	-

Measure (WxDxH): 2780 (2400 mm without OEM) x 160 x 252 mm

### Variant - ECE R58-03

Article no.	Type	Junction box	SIMAC	LED failure control	
				Direct indicator	Stop
<b>098 259 200</b> 92.0000.8270	LED	-	-	-	-
<b>098 259 210</b> 92.0000.8271	LED	-	-	✓	-
<b>098 259 230</b> 92.0000.8272	LED	-	✓	✓	-
<b>098 259 240</b> 92.0000.8273	LED	✓	-	-	-
<b>098 259 250</b> 92.0000.8274	LED	✓	-	✓	-
<b>098 259 255</b> 92.0000.8275	LED	✓	-	✓	✓
<b>098 259 270</b> 92.0000.8276	LED	✓	✓	✓	-
<b>098 259 275</b> 92.0000.8277	LED	✓	✓	✓	✓

## Rear underrun protection bar with TM16 tail lights

### Solution with D approval

- Modern round lights with a chrome look
- Easy mounting
- Unique Design



Measure (WxDxH): 2780 (2400 mm without OEM) x 160 x 252 mm

### Variant - ECE R58-03

Article no.	Typ	Verteilerbox	SIMAC	LED Ausfallkontrolle	
				Blink	Stop
<b>098 259 340</b> 92.0000.9511	LED	✓	-	-	-
<b>098 259 350</b> 92.0000.9512	LED	✓	-	✓	-
<b>098 259 370</b> 92.0000.9513	LED	✓	✓	✓	-



## Rear underrun protection bar with TM10 tail lights

### Unbeatable durability

- Unsurpassed durability - impact resistant lens made of polycarbonate
- Increased traffic security – Eternal Light technology
- As full LED or hybrid



Measure (WxDxH): 2780 (2400 mm without OEM) x 100 x 250 mm

### Variant - ECE R58-02

Article no.	Type	SIMAC	LED failure control	
			Direct indicator	Stop
<b>098 258 300</b> 92.0000.7524	Hybrid ▲	–	NA	NA
<b>098 258 320</b> 92.0000.7720	Hybrid ▲	✓	NA	NA
<b>098 258 400</b> 92.0000.7494	LED	– *	– *	– *

Measure (WxDxH): 2780 (2400 mm without OEM) x 160 x 252 mm

### Variant - ECE R58-03

Article no.	Type	SIMAC	LED failure control	
			Direct indicator	Stop
<b>098 259 320</b> 92.0000.8278	Hybrid ▲	✓	NA	NA
<b>098 259 450</b> 92.0000.8279	LED	– *	– *	– *

▲ Position light, side marker light and license plate light as LED

### \* Failure control at the underrun protection bar with TM10 LED tail lights

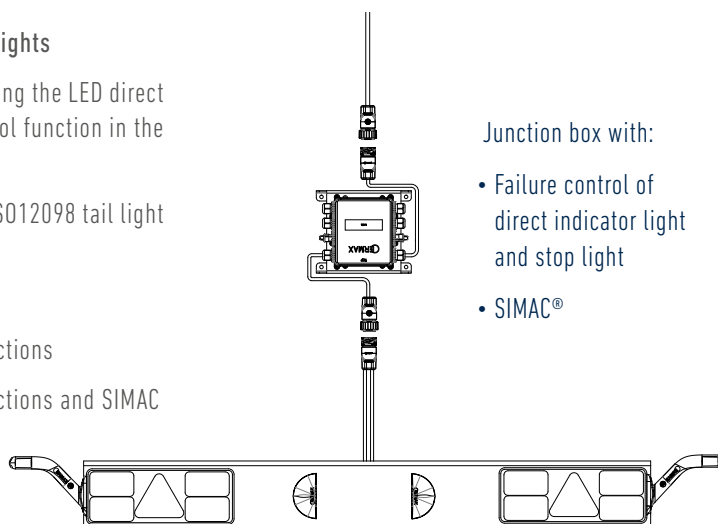
The combined LED control boxes from ERMAX offer the possibility of using the LED direct indicator light and stop light failure control as well as the SIMAC control function in the lighting installation.

The LED control boxes also have function as a junction box, where all ISO12098 tail light functions can be achieved.

There are 2 variants of the junction box:

098 298 160 - LED failure control of direct indicator and stop light functions

098 298 170 - LED failure control of direct indicator and stop light functions and SIMAC



Junction box with:

- Failure control of direct indicator light and stop light
- SIMAC®

## Rear underrun protection bar with TM11 tail lights

### Unsurpassed full LED functionality

- Unsurpassed durability - impact resistant lens made of polycarbonate
- Increased traffic security – Eternal Light technology
- High reliability - LED failure control optional and SIMAC integrated



Measure (WxDxH): 2780 (2400 mm without OEM) x 120 x 250 mm

### Variant - ECE R58-02

Article no.	Type	SIMAC	LED failure control	
			Direct indicator	Stop
<b>098 258 520</b> <i>92.0000.7876</i>	LED	✓	-	-
<b>098 258 530</b> <i>92.0000.7877</i>	LED	✓	✓	-
<b>098 258 580</b> <i>92.0000.7878</i>	LED	✓	✓	✓

Measure (WxDxH): 2780 (2400 mm without OEM) x 160 x 252 mm

### Variant - ECE R58-03

Article no.	Type	SIMAC	LED failure control	
			Direct indicator	Stop
<b>098 259 520</b> <i>92.0000.8280</i>	LED	✓	-	-
<b>098 259 530</b> <i>92.0000.8281</i>	LED	✓	✓	-
<b>098 259 580</b> <i>92.0000.8282</i>	LED	✓	✓	✓

With the TM11 tail light the Ermax rear bumper has a real all-rounder on board: further to the standard functions the TM11 also has an optional LED indicator failure control and a flash function for the side marker lights (SIMAC) integrated in the light housing – mounting will never be easier!



TM11 LED



LED control unit "Snap-in"



SIMAC control "Snap-in"

## Rear underrun protection bar with TM4 tail lights

### A classic - new developed

- Classical elegant design - new developed
- LED failure control and SIMAC integrated



Integrated LED failure control for monitoring the direction indicator function and stop light function



Measure (WxDxH): 2780 (2400 mm without OEM) x 160 x 252 mm

#### Variant - ECE R58-03

\* With D-approval

Article no.	Type	Junction box	SIMAC	LED failure control	
				Direct indicator	Stop
<b>098 259 075 *</b> 92.0000.9297	LED	✓	✓	✓	✓
<b>098 259 095 **</b> 92.0000.9298	LED	✓	✓	✓	✓

\*\* The triangular reflectors must be installed separately

## Underrun protection bar with TM2 tail lights

- Tail light with bulb - the remaining lights are LED
- Easy mounting



Measure (WxDxH): 2780 (2400 mm without OEM) x 120 x 250 mm

#### Variant - ECE R58-02

Article no.	Type	SIMAC	LED failure control	
			Direct indicator	Stop
<b>098 258 635</b> 92.0000.6694	Bulb	NA	NA	NA

Measure (WxDxH): 2780 (2400 mm without OEM) x 160 x 252 mm

#### Variant - ECE R58-03

Article no.	Type	SIMAC	LED failure control	
			Direct indicator	Stop
<b>098 259 635</b> 92.0000.1611	Bulb	NA	NA	NA

## Rear underrun protection bar ECE R58-02

Anodized - without lights

Anodized aluminium - 3 variants packed individually in a cardboard box or pallet packaging.

End caps and T-bolts must be ordered separately.



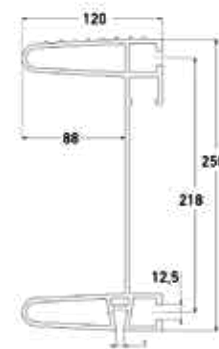
Pos 1



Pos 2



Pos 3



Pos 4

Pos 5

### Variant - ECE R58-02

Article no.	Pos	Variant type	Drilling	Packaging
<b>098 259 000</b> <i>92.0000.6649</i>	1	Without drilling	-	Individually (1 pcs)
<b>098 258 000</b> <i>92.0000.7128</i>	2	For built-in lights (TM5, TM7)	6 x Ø135 mm	
<b>098 258 001</b> <i>92.0000.7122</i>	3	For 7-function lights (TM10, TM11)	2 x Ø44 mm, 8 x Ø30 mm	

OBS.  
End caps and T-bolts must be ordered separately

Article no.	Pos	Description	Packaging
<b>098 299 610</b> <i>92.0000.6561</i>	4	End cap, plastic (2 pcs. per underrun protection bar)	Bag with 2 pcs.
<b>099 110 004</b> <i>92.0000.8285</i>	5	T-bolts (4 pcs. per underrun protection bar)	Bag with 4 pcs.

### Rear underrun protection bar ECE R58-03

Anodized - without lights

Anodized aluminium - 4 variants packed individually in a cardboard box or pallet packaging.

End caps and T-bolts must be ordered separately.



#### Variant - ECE R58-03

Article no.	Pos	Variant type	Drilling	Packaging
<b>098 259 005</b> 92.0000.8259	1	Without drilling	-	Individually (1 pcs)
<b>098 259 006</b> 92.0000.8260	2	For built-in lights (TM5, TM7)	6 x Ø135 mm	
<b>098 259 007</b> 92.0000.8261	3	For 7-function lights (TM10, TM11)	2 x Ø44 mm, 8 x Ø30 mm	
<b>098 259 008 *</b> 92.0000.9153	4	For surface mounted lights (TM4)	16 x Ø7 mm, 8 x Ø28/20 mm	
<b>099 259 005</b> 92.0000.8310	1	Without drilling	-	Pallet 15 pcs
<b>099 259 006</b> 92.0000.8311	2	For built-in lights (TM5, TM7)	6 x Ø135 mm	
<b>099 259 007</b> 92.0000.8313	3	For 7-function lights (TM10, TM11)	2 x Ø44 mm, 8 x Ø30 mm	
<b>099 259 008 *</b> 92.0000.9154	4	For surface mounted lights (TM4)	16 x Ø7 mm, 8 x Ø28/20 mm	

OBS.  
End caps and T-bolts must be ordered separately

Article no.	Pos	Description	Packaging
<b>099 299 616</b> 92.0000.8286	4	End cap, plastic (2 pcs. per underrun protection bar)	Bag with 2 pcs.
<b>099 299 615</b> 92.0000.8211	4	End cap, plastic (2 pcs. per underrun protection bar)	40 pcs.
<b>099 110 004</b> 92.0000.8285	5	T-bolts (8 pcs. per underrun protection bar)	Bag with 4 pcs .

### Spare parts and accessories ECE R58-01



The consoles mentioned in the certificate (pos. 1) are mounted at the chassis frame. The associated reinforcement brackets (pos. 2) must be used for specific widths of the chassis frame according to the guidance in the certificate.

Consoles as well as reinforcement brackets are offered from ERMAX as accessories, but may also be produced by the vehicle manufacturer, provided that the technical instructions in the certificate are followed exactly.



Pos. 3

Pos. 4

Pos. 5

Pos. 6

Pos. 7

Pos. 8

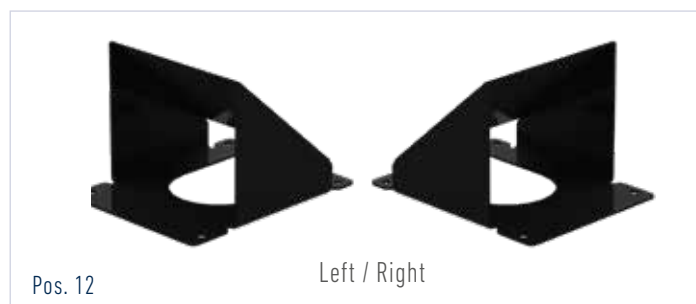
Pos. 9

Pos. 10

### Spareparts and accessories

	Pos.	Artikelnummer
Console - Square profile for welding on the chassis frame	1	<b>098 299 620</b> 92.0000.7251
Reinforcement bracket - Left side 098 299 602 / right side 098 292 603 A frame width between 840-1250 requires 2 pcs. By use of these reinforcement brackets, additional 4 T-bolts will be needed. (099 110 004)	2	<b>098 299 602</b> 92.0000.6559 <b>098 299 603</b> 92.0000.6560
End cap, plastic - Bag with 2 pcs. (2 pieces per underrun protection bar are needed)	3	<b>098 299 610</b> 92.0000.6561
T-bolt M12x55 mm with square head - Bag with 4 pcs. (4 pieces per underrun protection bar are needed)	4	<b>099 110 004</b> 92.0000.8285
Stainless steel angle bracket for fixation of marker lamps for light bar	5	<b>098 299 605</b> 92.0000.6731
Square shaped clamp: 25x25x5 mm / Thickness: 1 mm bags of 10 pcs.	6	<b>098 299 612</b> 92.0000.7215
Type approval label	7	<b>099 110 001</b> 92.0000.6702
Cover for junction box for underun protection bar. Plastic	8	<b>098 299 617</b> 92.0000.8284
Base plate for rear underrun protection bar with TM5/TM7. Plastic	9	<b>098 299 608</b> 92.0000.7674
Cover for base plate. For rear bumper with TM5/TM7. To be used with base plate 098299608	10	<b>098 299 609</b> 92.0000.7674

### Spare parts and accessories ECE R58-03



The consoles mentioned in the certificate (pos. 1) are mounted at the chassis frame. The associated reinforcement brackets (pos. 2) must always be present.

Consoles as well as reinforcement brackets are offered from ERMAX as accessories, but may also be produced by the vehicle manufacturer, provided that the technical instructions in the certificate are followed exactly.

Depending upon the width of the chassis frame (distances between the consoles) the reinforcement brackets must be placed inside or outside the consoles in order to support the underrun protection bar.

According to the certificate, the consoles may also be integrated in the chassis.



Pos. 14

Pos. 15

### Spareparts and accessories

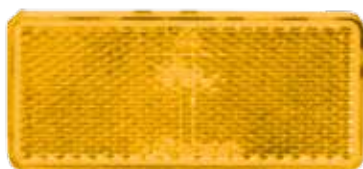
	Pos.	Artikelnummer
Console 1 - Profile for welding on the chassis frame	11	<b>099 299 623</b> 92.0000.8288
Console 2 - Profile for welding on the chassis frame.	11	<b>099 299 622</b> 92.0000.8287
Reinforcement bracket - left / right (1 pcs) Frame distance 1250-1450 mm : The reinforcement brackets must be installed on the inside of the consoles. Frame distance 980-1249 mm : The reinforcement brackets must be mounted on the outside of the consoles. 4 x 099 110 004 T-bolts M12 x 55 mm are needed for each bracket / totally 8 pcs.	12	<b>099 299 625</b> 92.0000.8289
End cap, plastic - Bag with 2 pcs (2 pieces per underrun protection bar are needed)	14	<b>099 299 616</b> 92.0000.8286
T-bolt M12x55 mm with square head - Bag with 4 pcs. (8 pieces per underrun protection bar are needed)	4	<b>099 110 004</b> 92.0000.8285
Stainless steel angle bracket for fixation of marker lamps for light bar	5	<b>098 299 605</b> 92.0000.6731
Type approval label	15	<b>099 110 002</b>
Cover for junction box for underun protection bar. Plastic	8	<b>098 299 617</b> 92.0000.8284
Base plate for rear underrun protection bar with TM5/TM7. Plastic	9	<b>098 299 608</b> 92.0000.7674
Cover for base plate. For rear bumper with TM5/TM7. To be used with base plate 098299608	10	<b>098 299 609</b> 92.0000.7674



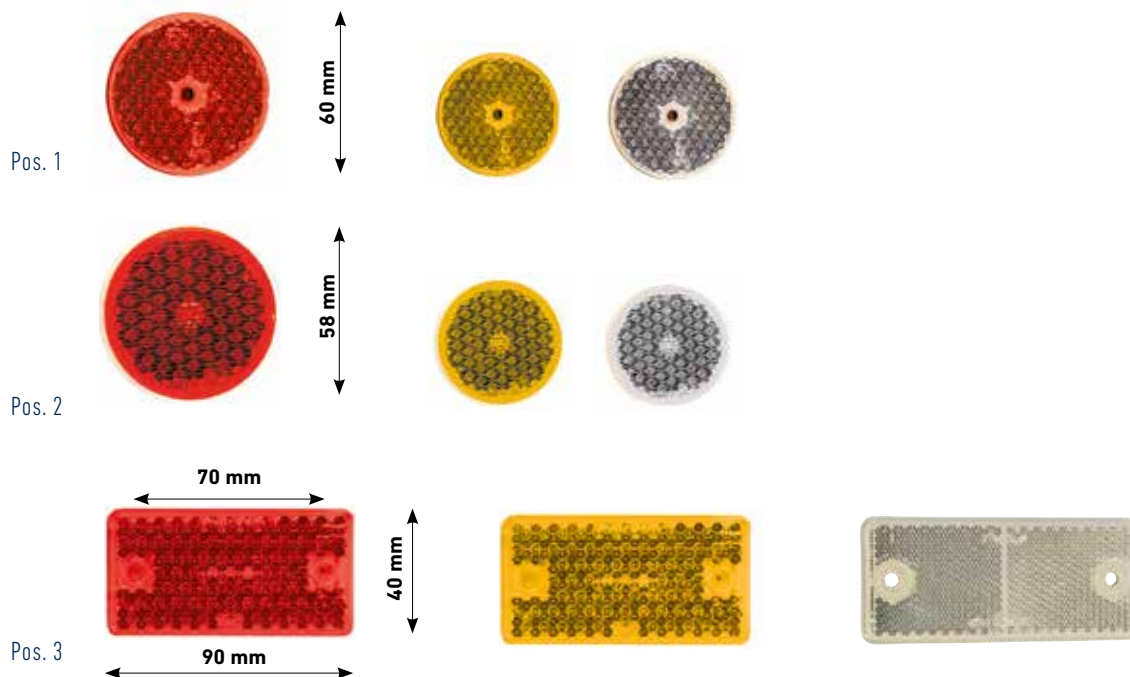


# REFLEX REFLECTOR

---

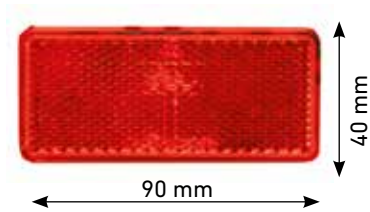


## Reflex reflector with and without self-adhesive back

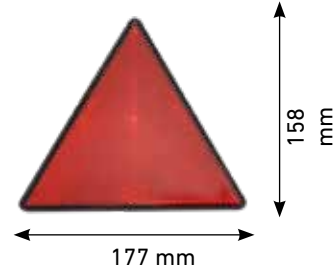


Colour	Dimension	Hole/screw	Self-adhesive	Packing unit	Pos.	Article No.
Red	Ø60 mm	Ø 6,3 mm		10 pcs	1	<b>098 261 060</b> 92.0000.1613
Yellow	Ø60 mm	Ø 6,3 mm		10 pcs	1	<b>098 261 062</b> 92.0000.1614
White	Ø 60 mm	Ø 6,3 mm		10 pcs	1	<b>098 261 064</b> 92.0000.1615
Red	Ø58 mm		✓	10 pcs	2	<b>098 262 061</b> 92.0000.1616
Yellow	Ø58 mm		✓	10 pcs	2	<b>098 262 063</b> 92.0000.1617
White	Ø58 mm		✓	10 pcs	2	<b>098 262 065</b> 92.0000.1618
Red	90 x 40 mm	Ø 4,3 mm		10 pcs	3	<b>098 264 120</b> 92.0000.1619
Yellow	90 x 40 mm	Ø 4,3 mm		10 pcs	3	<b>098 264 122</b> 92.0000.1620
White	90 x 40 mm	Ø 4,3 mm		10 pcs	3	<b>098 264 124</b> 92.0000.1621
Red	90 x 40 mm	Ø 4,3 mm	✓	10 pcs	3	<b>098 265 130</b> 92.0000.1622
Yellow	90 x 40 mm	Ø 4,3 mm	✓	10 pcs	3	<b>098 265 132</b> 92.0000.1623
White	90 x 40 mm	Ø 4,3 mm	✓	10 pcs	3	<b>098 265 134</b> 92.0000.1624

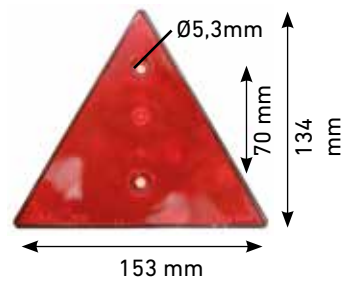
## Reflex reflector



Pos. 1



Pos. 2



Pos. 3

Colour	Dimension	Loch/screw	Self-adhesive	Packing unit	Pos.	Article No.
Red	90 x 40 mm		✓	10 pcs	1	<b>098 265 140</b> 92.0000.1625
Yellow	90 x 40 mm		✓	10 pcs	1	<b>098 265 142</b> 92.0000.1626
White	90 x 40 mm		✓	10 pcs	1	<b>098 265 144</b> 92.0000.1627
Red	177 x 158 mm	2 x M5		1 pcs	2	<b>098 267 605</b> 92.0000.7236
Black rear plate						
Red	158 x 140 mm	Ø 5,3 mm		10 pcs	3	<b>098 267 610</b> 92.0000.1050

## Reflex marker boards for trailers

ECE Reg. 70.01



Pos. 1

1130 x 200 mm



Pos. 2

565 x 200 mm



Pos. 3



285 x 200 mm

Aluminum	Self-adhesive foil	Packing unit	Pos.	Article No.
1130 x 200 mm		1 pcs	1	<b>098 269 417</b> 92.0000.7999
	1130 x 200 mm	1 pcs	1	<b>098 269 412</b> 92.0000.1634
565 x 200 mm		2 pcs	2	<b>098 269 419</b> 92.0000.8000
	565 x 200 mm	2 pcs	2	<b>098 269 414</b> 92.0000.1636
285 x 200 mm		4 pcs	3	<b>098 269 421</b> 92.0000.8001
	285 x 200 mm	4 pcs	3	<b>098 269 416</b> 92.0000.1638

## Contour marking

ECE 104



Colour	Self-adhesive contour marking, for rigid sides	Packing unit	Article No.
Red 	50 m x 55 mm	50 meter per roll	<b>098 269 200</b> 92.0000.1632
White 	50 m x 55 mm	50 meter per roll	<b>098 269 204</b> 92.0000.1009

# INTERIOR LIGHTING

---

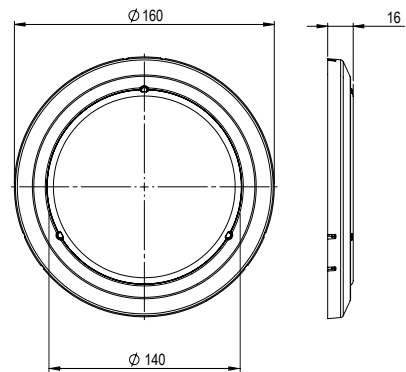


LED interior lights - Surface mounting and Built-in

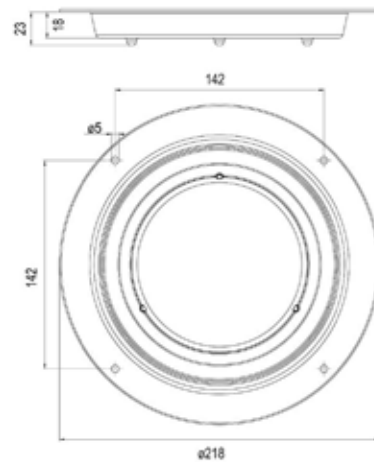
EMC



Surface mounting



Built-in



Description

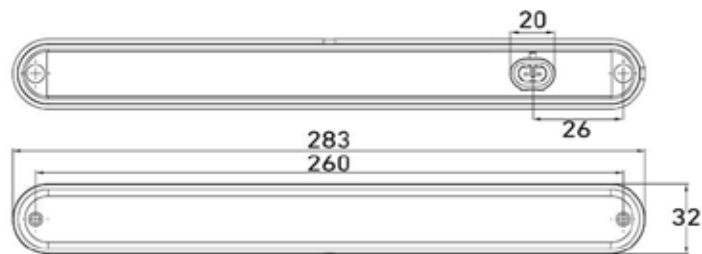
- Lens: Impact resistant polycarbonat
- Housing: Impact resistant polycarbonat
- Mounting holes: 4 pcs Ø5 mm - Ø201 mm (Built-in)
- Depth: 18 mm
- Mounting holes: 3 pcs Ø3,8 mm - Ø138 mm (Surface mounting)

Lighting	IP-Rating	Lumen	Dimension	Operating voltage	Surface mounting	Built-in	Connection	Article No.
LED	IP67	294	Ø160 x 15,7 mm	12/24V	✓		1.500 mm cable with Click-in	<b>098 274 070</b> 92.0000.6612
LED	IP67	294	Ø160 x 15,7 mm	12/24 V	✓		2.500 mm cable with Open end	<b>098 274 071</b> 92.0000.6613
LED	IP67	294	Ø218 x 20 mm	12/24V		✓	1.500 mm cable with Click-in	<b>098 274 072</b> 92.0000.6614
LED	IP67	294	Ø218 x 20 mm	12/24 V		✓	2.500 mm cable with Open end	<b>098 274 073</b> 92.0000.6615

Spare parts

Bowl for LED interior light, Dimension: : Built-in Ø175 mm, outside Ø218 mm	<b>098 291 070</b> 92.0000.6671
---	------------------------------------

LED interior lights - Surface mounting or Built-in



**Description**

Lens: PMMA  
 Housing/holder: Polypropylen (PP)  
 Bolt distance: 260 mm

Lighting	IP-Rating	Lumen	Dimension	Operating voltage	Surface mounting	Built-in	Connection	Article No.
LED	IP67	60	283 x 24 x 32 mm	24V	✓	✓	500 mm cable with Super Seal socket	<b>098 274 725</b> 92.0000.6558





# REVERSE- & WORK LIGHTS

---

## Lumen specification

The reversing lights in the following section are specified with a theoretical and an effective lumen.

The theoretical lumen is the calculated lumen of the light source

The effective lumen is the light measured outside the lens.



## Standard product programme with large flexibility

### Compact design, universally applicable and various connection possibilities

ERMAX reversing lights and work lights are available in 3 design types with different light performances / lumen.



#### LED Reverse light

Lumen:  
Theoretical 650 / Effective 300



#### LED Work light

Lumen:  
Theoretical 800 / Effective 600



#### LED Work light

Lumen:  
Theoretical 1600 / Effective 1200

Approved as reversing light (ECE -R23) with 30° angling by vertical mounting



#### LED Work light

Lumen:  
Theoretical 2400 / Effective 1800

Approved as reversing light (ECE -R23) with 35° angling by vertical mounting.



This type is also available with handle and on/off switch.



#### LED Reverse light

Lumen:  
Theoretical 3.200 / Effective 2.400

## Universally applicable

### Mounting options

ERMAX working lights have a compact design with measures meaning that they can be mounted in a very narrow place. The compact design and symmetric light distribution give a large degree of flexibility when mounting. The work lights can be standing, hanging, rear or side mounted.

#### Mounting options ERMAX work lights



Standing



Hanging



Side



Rear



## Easy maintenance

### Various connection variations

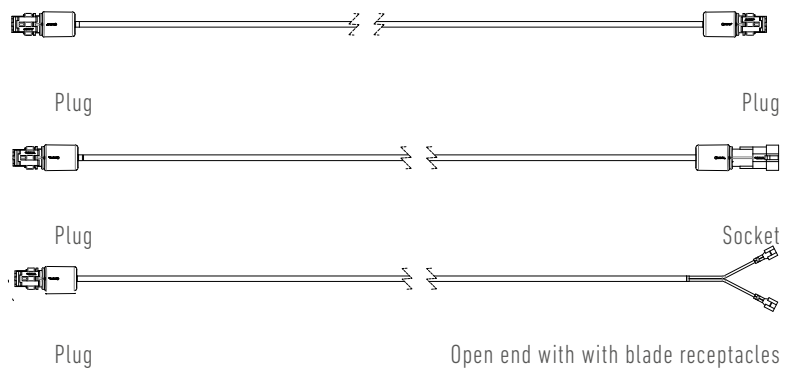
ERMAX work lights are available with various connection variations – connection cable with Open end, Super Seal socket or “Deutsch” socket. For connector variants, Ermax always offers a standard cable length of 300 millimeters to the first plug connection. The cable length can be adjusted according to need by means of standard extension cable or adapter cable. This ensures optimum ease of maintenance. The large variety of cable solutions ensures the best installation without having to adjust the cable length (see page 23-27).

#### Connection / Extension possibilities ERMAX work lights

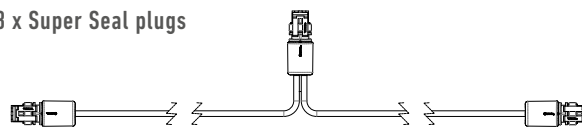


Super Seal socket

#### Extension cable with Super Seal connection

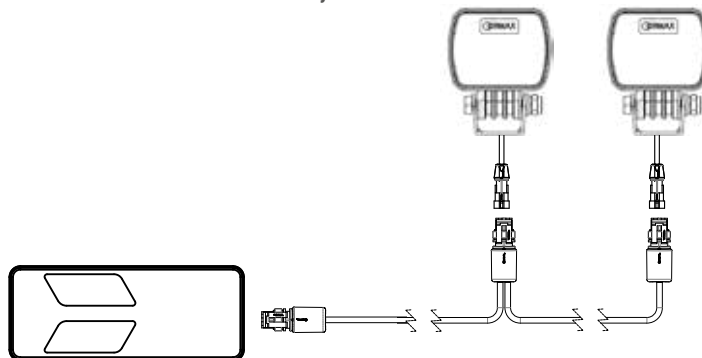


#### Y-Adapter with 3 x Super Seal plugs



#### Reverse light connected as a chain

-connected by a side cable with 1 inlet and 2 outlets with Super Seal plugs



2 pieces of Ermax reverse lights or work lights are allowed to be connected to an Ermax tail light (Max 52W)

## Technical features ERMAX reverse lights and work lights

### Technical specifications - Common to all variants

- Impact-resistant lens made of polycarbonate
- Housing made of aluminium, black lacquer (anti corrosion layers)
- Mounting bracket made of stainless steel, AISI 304 quality
- Mounting bolts M8 / 30 mm
- Multivolt 12/24V
- Working temperature -40 °C bis +65 °C
- Flood light pattern
- Colour temperature 6.500 °Kelvin
- Protection class IP69K
- Overheating and reverse polarity protection
- ADR and EMC/R10 approved
- ECE-R23 approved

### Advantages of the newest LED light technology

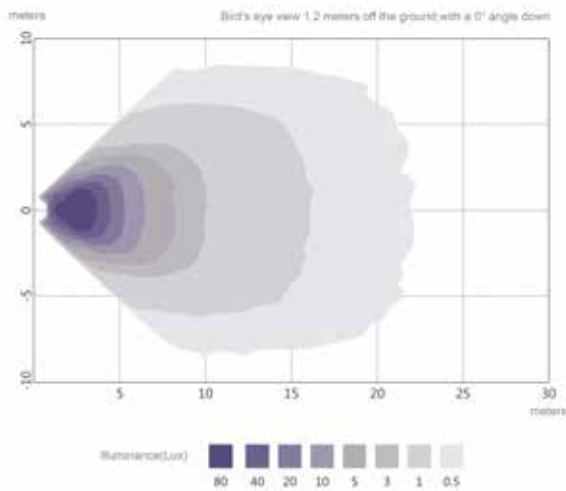
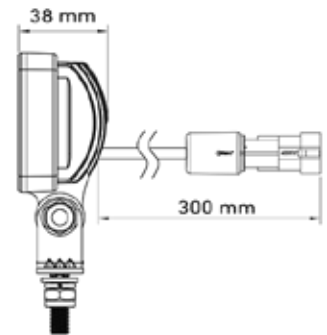
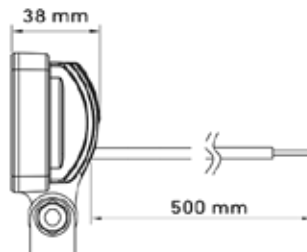
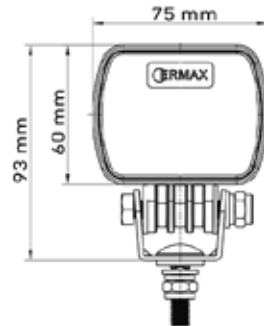
#### - which are optimally utilised in the Ermax reverse lights and work lights

The advantages of the newest LED technology, which are optimally utilised in the ERMAX reverse lights and work lights - result in a product with a very high quality and extremely long life - and thus cost-effectiveness, which is a real highlight.

- High light output
- Extremely long lifetime
- 100% water & dustproof
- Low power consumption
- Maintenance free
- High shock and vibration resistance
- Effective heat conduction
- Increased profitability



Reverse Light - Housing made of Aluminium  
Theoretical Lumen 650



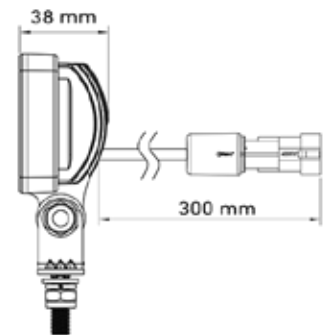
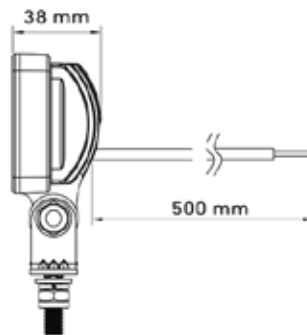
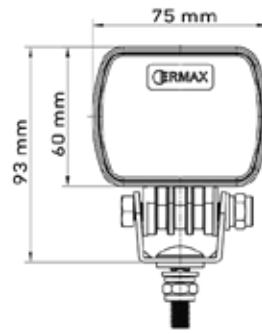
bird's eye view 1,2 meter above the ground with an incline angle of 0°



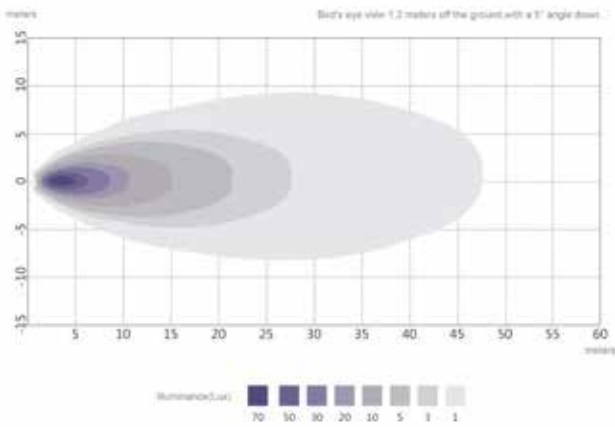
Operating voltage	Energy consumption	Connection	Cable length	Light source	Lumen Theoretical / effective	Light pattern	Article No.
12/24V	6,5 W	Open end	500 mm	6 x high-powered LED	650 / 300	Flood	<b>098 256 250</b> 92.0000.7834
12/24V	6,5 W	Super Seal plug	1000 mm	6 x high-powered LED	650 / 300	Flood	<b>098 256 254</b> 92.0000.8171
12/24V	6,5 W	Super Seal socket	300 mm	6 x high-powered LED	650 / 300	Flood	<b>098 256 255</b> 92.0000.7835

## Work Lights LED - Housing made of Aluminium

Theoretical Lumen 800



### Illumination

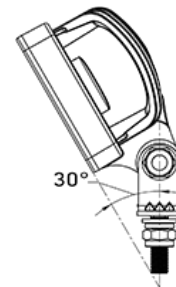
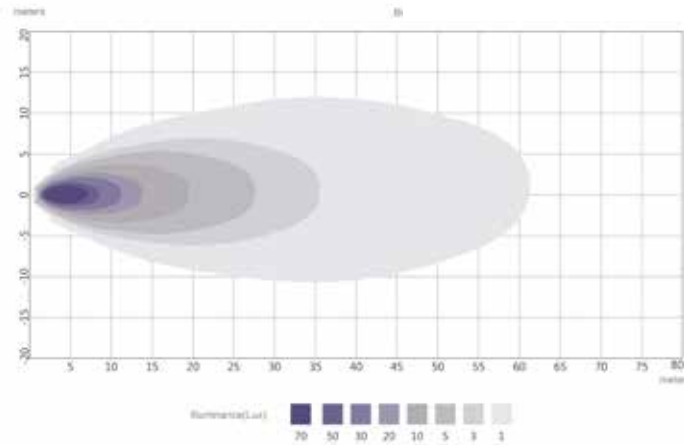
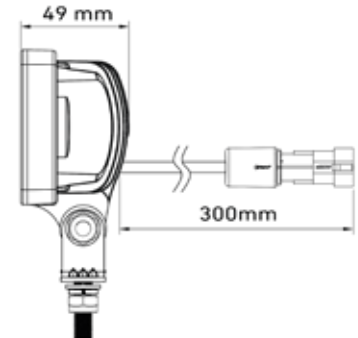
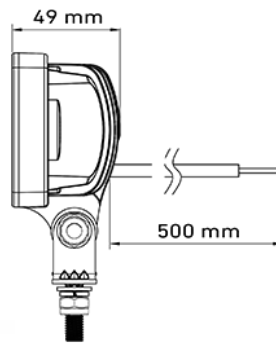
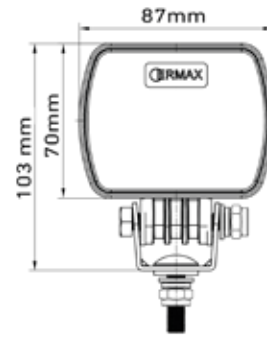


Bird's eye view 1,2 meter above the ground with an incline angle of 5°



Operating voltage	Energy consumption	Connection	Cable length	Light source	Lumen Theoretical / effective	Light pattern	Article No.
12/24V	8 W	Open end	500 mm	6 x high-powered LED	800 / 600	Flood	<b>098 174 250</b> 92.0000.7825
12/24V	8 W	Super Seal plug	1000 mm	6 x high-powered LED	800 / 600	Flood	<b>098 174 254</b> 92.0000.8172
12/24V	8 W	Super Seal socket	300 mm	6 x high-powered LED	800 / 600	Flood	<b>098 174 255</b> 92.0000.7826

Work Lights LED - Housing made of Aluminium  
Theoretical Lumen 1.600



Approved as reverse light  
- with 30° tilt when vertical mounted

Bird's eye view 1,2 meter above the ground with an incline angle of 5°

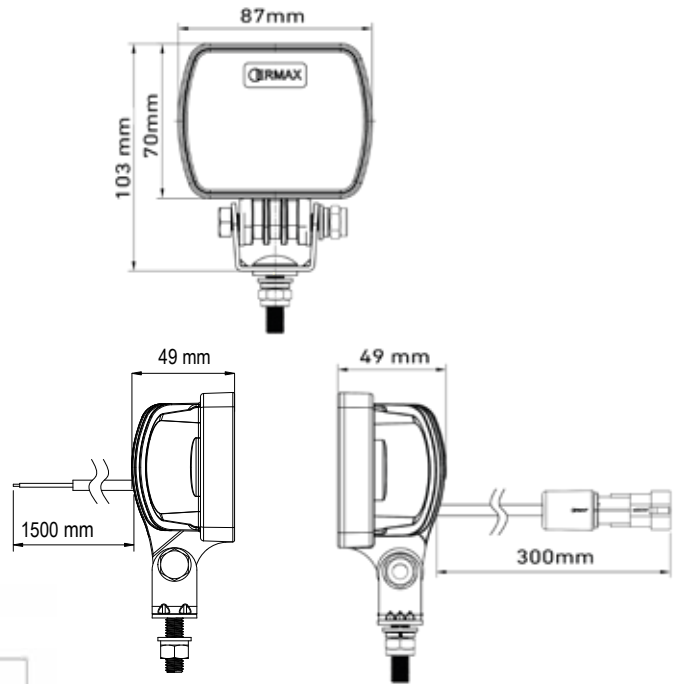


Operating voltage	Energy consumption	Connection	Cable length	Light source	Lumen Theoretical / effective	Light pattern	Article No.
12/ 24 V	16 W	Open end	500 mm	9 high-powered LED	1600 / 1200	Flood	<b>098 174 260</b> 92.0000.7827
12 / 24 V	16 W	Super Seal plug	1.000 mm	9 high-powered LED	1.600 / 1.200	Flood	<b>098 174 264</b> 92.0000.8168
12/ 24 V	16 W	Super Seal socket	300 mm	9 high-powered LED	1600 / 1200	Flood	<b>098 174 265</b> 92.0000.7828
12 / 24 V	16 W	Integrated Deutsch (DT2) socket	--	9 high-powered LED	1.600 / 1.200	Flood	<b>098 174 267</b> 92.0000.8064

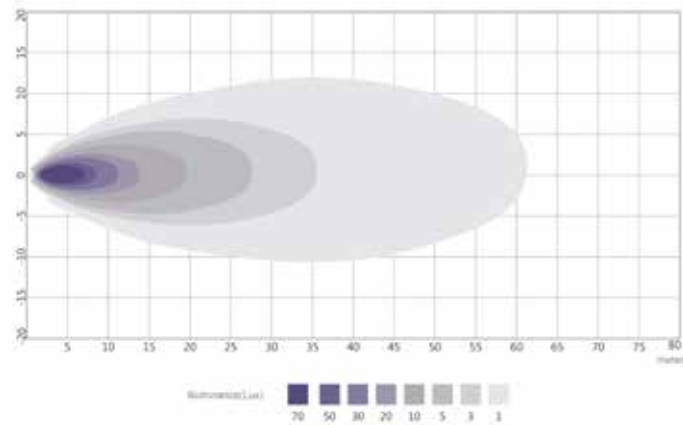


LED Work Lights – Housing made of plastic

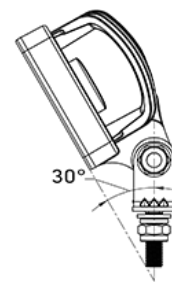
Lumen: 1.600



Illumination



Bird's eye view 1.2 metres above the ground with an incline angle of 5°



Approved as reversing light  
- with 30° tilt when vertically-mounted

- Particularly suitable for use in highly corrosive environments
- Housing material: Thermally conductive plastic



Operating voltage	Energy consumption	Connection	Cable length	Light source	Lumen Theoretical / effective	Light pattern	Article No.
12 / 24 V	16 W	Open end	1.500 mm	9 high-powered-LEDs	1.600 / 1.200	Flood	<b>098 174 290</b> 92.0000.9414
12 / 24 V	16 W	Super Seal plug	6.000 mm	9 high-powered-LEDs	1.600 / 1.200	Flood	<b>098 174 293</b> 92.0000.9415
12 / 24 V	16 W	Super Seal socket	300 mm	9 high-powered-LEDs	1.600 / 1.200	Flood	<b>098 174 295</b> 92.0000.9416
12 / 24 V	16 W	Integrated Deutsch (DT2) socket	--	9 high-powered-LEDs	1.600 / 1.200	Flood	<b>098 174 297</b> 92.0000.9417

## Work Lights LED - Housing made of Aluminium

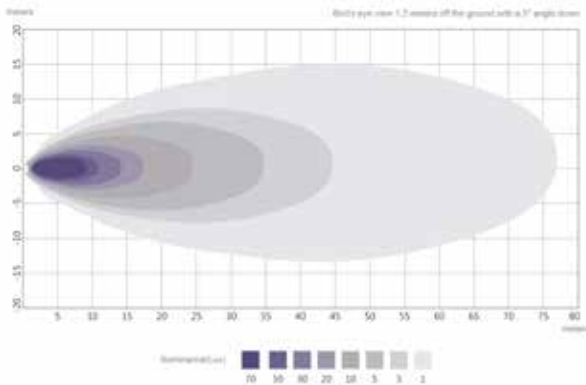
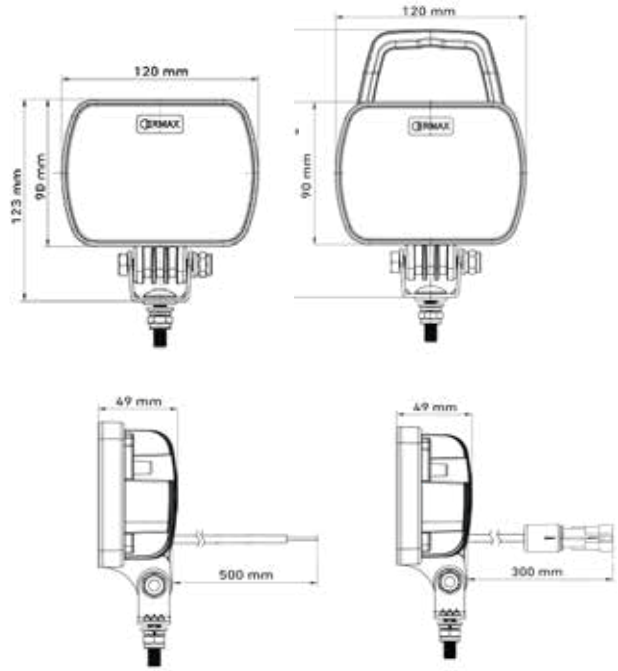
Theoretical Lumen 2.400



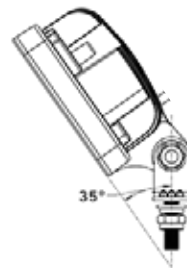
Pos. 1  
Without on/off switch



Pos. 2  
With bracket and on/  
off switch



Bird's eye view 1,2 meter above the ground with an incline angle of 5°



Approved as reverse light  
- with 35° tilt when vertical mounted



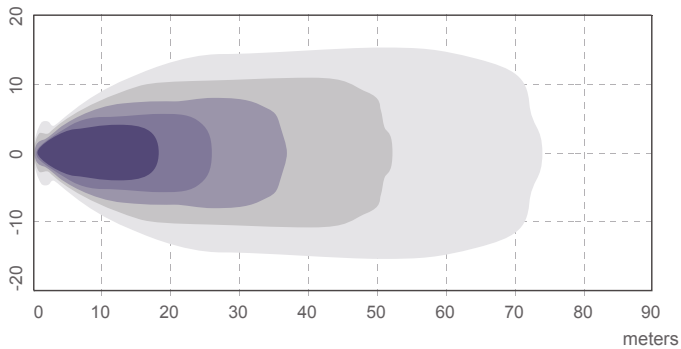
Operating voltage	Energy consumption	Connection	Cable length	Light source	Lumen Theoretical / effective	Light pattern	Pos.	Article No.
12/24V	25 W	Open end	500 mm	12 high-powered LED	2.400 / 1.800	Flood	1	<b>098 174 270</b> 92.0000.7830
12 / 24 V	25 W	Super Seal plug	1.000 mm	12 high-powered LED	2.400 / 1.800	Flood	1	<b>098 174 274</b> 92.0000.8170
12/24V	25 W	Super Seal socket	300 mm	12 high-powered LED	2.400 / 1.800	Flood	1	<b>098 174 275</b> 92.0000.7831
12 / 24 V	25 W	Integrated Deutsch (DT) socket	---	12 high-powered LED	2.400 / 1.800	Flood	1	<b>098 174 277</b> 92.0000.8066
12/24V	25 W	Super Seal socket - with handle & switch	300 mm	12 high-powered LED	2.400 / 1.800	Flood	2	<b>098 174 279</b> 92.0000.7833

## Work Lights LED - Housing made of Aluminium

Theoretical Lumen: 3.200



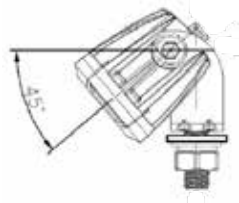
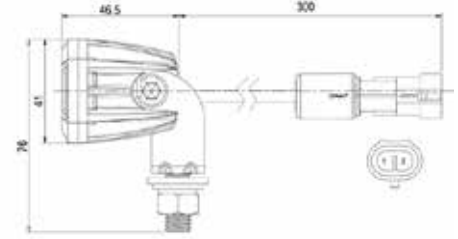
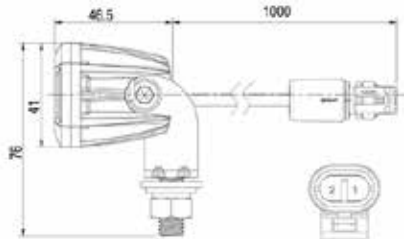
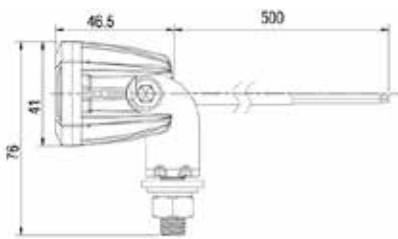
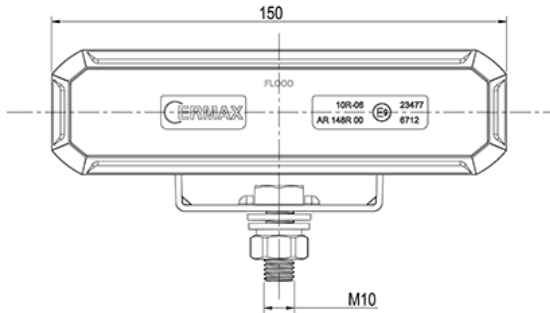
meters Bird's eye view 1.2 meters off the ground , with a 5° angle down



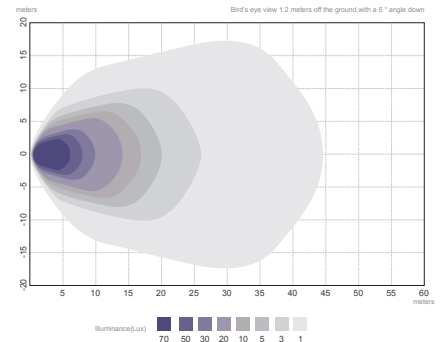
Operating voltage	Energy consumption	Connection	Cable length	Light source	Lumen Theoretical / effective	Light pattern	Pos.	Article No.
12 / 24 V	25 W	Super Seal socket	300 mm	12 LEDs	3.200 / 2.400	Flood	1	<b>098 174 285</b> 92.0000.8067
12 / 24 V	24 W	Integrated Deutsch (DT) socket	---	12 LEDs	3.200 / 2.400	Flood	2	<b>098 174 287</b> 92.0000.8068

### LED work light 12/24V - 6 diodes

Theoretical Lumen: 2.700



Light pattern



Approved as reverse light with tilt angle mounted vertically

#### Description

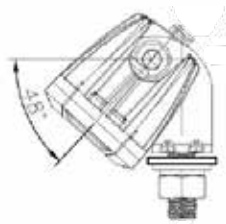
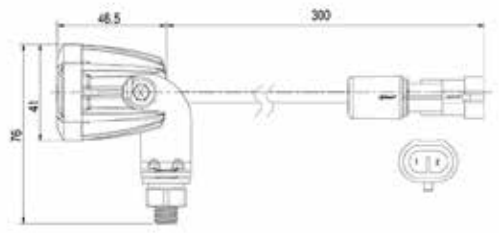
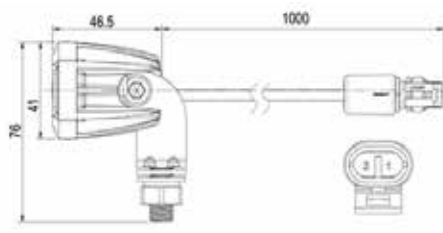
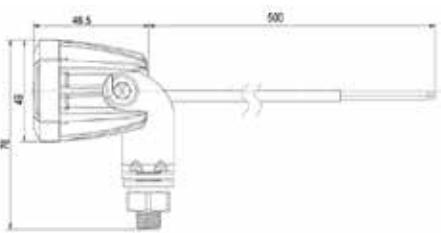
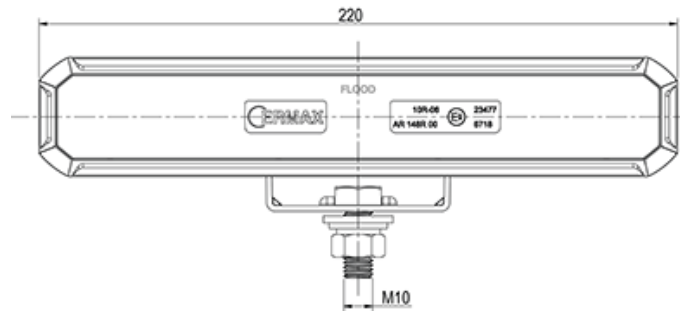
Lens:	Impact-resistant polycarbonate	Working temperature:	-40°C to + 65°C
Housing:	Aluminium	IP Rating:	IP6K9K
Colour temperature:	6500K	Mounting bracket in stainless steel with polycarbonate washer	
Dimensions, W x H x D:	150 x 41 x 46 mm	Wire colours:	
Light height, total:	54 mm	Brown = minus	
Bolt size:	22 mm/M10	Blue = +	
Width bracket:	63 mm		



Voltage	Consumption	Connection	Cable length	Light source	Lumen, theoretical/effective	Light pattern	Item no.
12/24 V	30 W	Open end	500 mm	6 High Power LEDs	2.700 / 2.000	Flood	098 174 360
12/24 V	30 W	Super-Seal plug	1,000 mm	6 High Power LEDs	2.700 / 2.000	Flood	098 174 364
12/24 V	30 W	Super-Seal socket	300 mm	6 High Power LEDs	2.700 / 2.000	Flood	098 174 365
12/24 V	30 W	Integrated Deutsch (DT2) socket	--	6 High Power LEDs	2.700 / 2.000	Flood	098 174 367

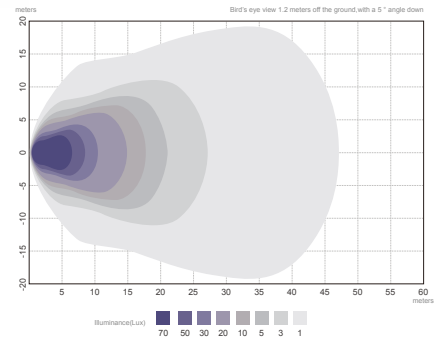
### LED work light 12/24V - 8 diodes

Theoretical Lumen: 3.600



Approved as reverse light with tilt angle mounted vertically

Light pattern



#### Description

Lens:	Impact-resistant polycarbonate	Working temperature:	-40°C to + 65°C
Housing:	Aluminium	IP Rating:	IP6K9K
Colour temperature:	6500K	Mounting bracket in stainless steel with polycarbonate washer	
Dimensions, W x H x D:	220 x 41 x 46 mm	Wire colours:	
Light height, total:	54 mm	Brown = minus	
Bolt size:	22 mm/M10	Blue = +	
Width bracket:	63 mm		

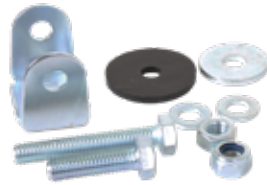


Voltage	Consumption	Connection	Cable length	Light source	Lumen, theoretical/effective	Light pattern	Item no.
12/24 V	40 W	Open end	500 mm	8 High Power LEDs	3.600 / 2.700	Flood	098 174 380
12/24 V	40 W	Super-Seal plug	1,000 mm	8 High Power LEDs	3.600 / 2.700	Flood	098 174 384
12/24 V	40 W	Super-Seal socket	300 mm	8 High Power LEDs	3.600 / 2.700	Flood	098 174 385
12/24 V	40 W	Integrated Deutsch (DT2) socket	--	8 High Power LEDs	3.600 / 2.700	Flood	098 174 387

## Plug connections – spare parts and accessories

### ERMAX Reverse Lights & Work Lights

The ERMAX plug connector accessory programme offers solutions for almost any application. Matching mount brackets can also be found in our programme.



Pos. 1



Pos. 2



Pos. 3



Pos. 4



Pos. 5



Pos. 6



Pos. 7



Pos. 8



Pos. 9

Mounting bracket for 37 mm light fixation - Kit set with	1	<b>098 296 174</b> 92.0000.7115
Super Seal plug 2 poled, Diameter yellow seal Ø 1,8 - 2,4 mm, Blade receptacle 0,5 - 1,0 mm <sup>2</sup>	2	<b>099 110 019</b> 92.0000.1686
Super Seal socket 2 pole, Diameter yellow seal Ø 1,8 - 2,4 mm, Blade receptacle 0,5 - 1,0 mm <sup>2</sup>	3	<b>099 110 018</b> 92.0000.1685
Rubber grommet for 2 pole Super Seal plug	4	<b>099 110 712</b> 92.0000.1687
T-coupling for 2 pole Super Seal plug (3 sockets)	5	<b>099 111 415</b> 92.0000.1692
Blanking plug for 2 pole Super Seal socket - black plastic	6	<b>099 110 028</b> 92.0000.0004
Blanking plug for 2 pole Super Seal plug - black plastic	7	<b>099 110 029</b> 92.0000.0023
Deutsch (DT) plug, with blade receptacles 0,75-2,0 mm <sup>2</sup>	8	<b>098 291 690</b> 92.0000.6493
Deutsch (DT) socket, with blade terminals 0,75-2,0 mm <sup>2</sup>	9	<b>099 111 043</b> 92.0000.8141

# REAR REVERSE ALARM

---



Rear reverse alarm



Description

Housing: Black ABS with galvanized mounting bracket  
 Cyklus: 60/min  
 Distance mounting holes: 22 mm ( Hole Ø 5,2 mm )

IP Rating	Sound outlet	Frequency range	Consumption	Operating voltage	Dimension	Connection	Article No.
IP54	102 dB	2,6 kHz	10W	12/24V	58,8 x 37 mm	250 mm cable with Super Seal plug	<b>090 450 350</b> 92.0000.6857



# WARNING LIGHTS

---



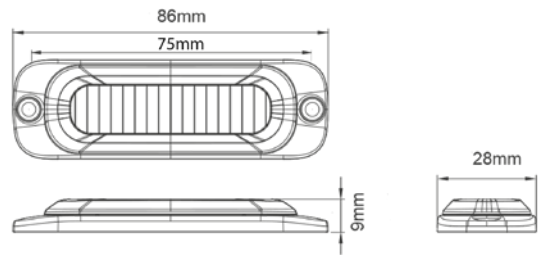
## LED Warning lights - Surface mounting

XA1 ECE R65 EMC R10

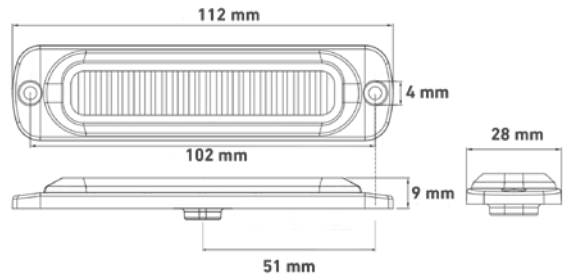


Pos. 1

Pos. 2



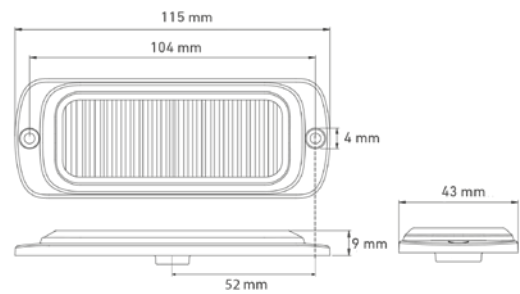
Pos. 3



Pos. 4



Pos. 5



Pos. 6

### Description

Lens: Impact resistant clear polycarbonate  
 Housing: Impact resistant aluminum  
 Working temperature: -30°C to +80°C

Approved for horisontial mounting

Build-in- and programming instructions are available at: [www.ermaxonline.dk](http://www.ermaxonline.dk)

Indica- torcolour	Operating voltage	IP Rating	Connection	Cable length	Bolt distance	Dimension	Light source	Flash pattern	Pos.	Article No.
	12/24V	IP69K	Open end	2500 mm	77 mm	86 x 9 x 28 mm	3 x LED	12	1	<b>098 286 444</b> 92.0000.6897
	12/24V	IP69K	Super Seal socket	250 mm	77 mm	86 x 9 x 28 mm	3 x LED	12	2	<b>098 286 445</b> 92.0000.7205
	12/24V	IP69K	Open end	2500 mm	102 mm	112 x 9 x 28 mm	6 x LED	19	3	<b>098 286 446</b> 92.0000.6898
	12/24V	IP69K	Super Seal socket	250 mm	102 mm	112 x 9 x 28 mm	6 x LED	19	4	<b>098 286 447</b> 92.0000.9505
	12/24V	IP69K	Open end	2500 mm	104 mm	115 x 9 x 43,4 mm	12 x LED	25	5	<b>098 286 448</b> 92.0000.6899
	12/24V	IP69K	Super Seal socket	250 mm	104 mm	115 x 9 x 43,4 mm	12 x LED	25	6	<b>098 286 449</b> 92.0000.7558

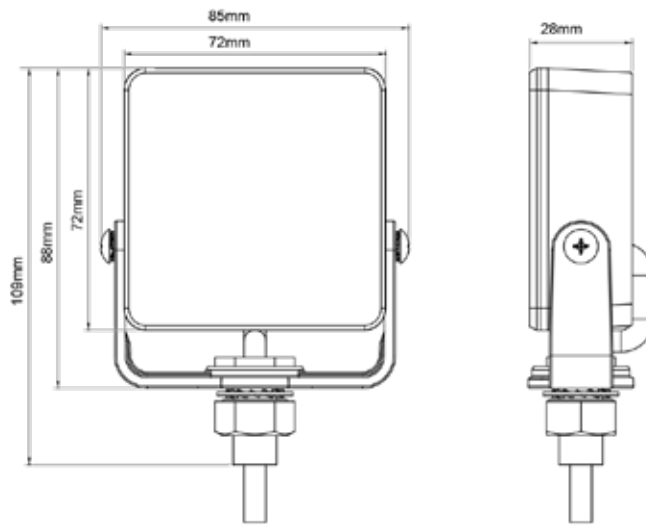
## LED Warning lights

ECE R65

EMC R10



Pos. 1



### Description

Lens: Impact resistant clear polycarbonate  
 Housing: Aluminum  
 Working temperature: -30°C to +80°C

Build-in- and programming instructions are available at: [www.ermaxonline.dk](http://www.ermaxonline.dk)

Indica- torcolour	Operating voltage	IP Rating	Connection	Cable length	Mounting	Dimension	Light source	Flash pattern	Article No.
	12/24V	IP69K	Open end	120 mm	U-shaped mounting bracket with ø13mm hole	72 x 72 x 28 mm	4 x LED	5	<b>098 286 290</b> 92.0000.6762



# WARNING BEACONS

---



## Small, compact and long durability

3 flash patterns all with R65 approval and CISPR 25 class 3 - **PREMIUM**

### The new warning light from ERMAX

The warning light with LED technology convinces with a modern design and robust construction. The compact design of the series is suitable for all kinds of heavy vehicles, guaranteeing visibility and safety.

Whether single flash, double flash or rotating light, all 3 flash patterns can be set in compliance with R65 – unique in Europe!

The mounting possibilities are either surface mounting or pole mounting/DIN. The warning lights are available with orange or transparent lens.

This series is E-approved according to ECE R65 and also approved with CISPR 25 class 3 and ADR - and due to the high degree of electromagnetic compatibility the warning light can be placed anywhere.



Surface mounting



Pole mounting/DIN



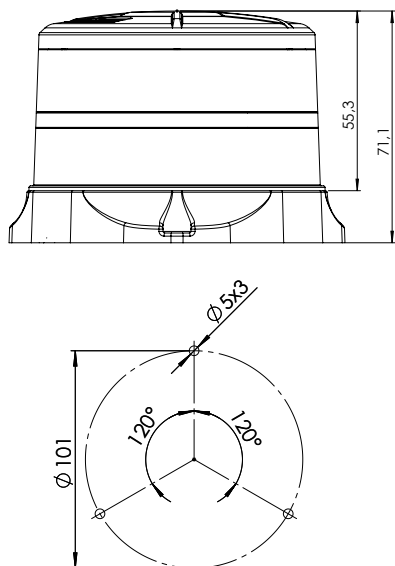
## ERMAX warning lights - Why ?

- 1 Newest light and LED technology**  
Small and powerful, long durability and an optimum signal picture with a small power consumption..
- 2 Unique design**  
Unique reflection design with clear lens and very strong light.
- 3 Long lifetime and durability**  
Impact-resistant lens of polycarbonate and housing top of aluminium.
- 4 3 Flash Patterns approved**  
All 3 flash patterns with high warning effect are ECE R65 compliant - unique in Europe
- 5 Unique availability**  
The compact design offers flexibility in mounting.
- 6 Absorb vibrations**  
The flexible pipe socket avoids damages to the lights by impact or collision.
- 4 2 warning signals**  
Choose between flashing warning signal or rotating warning signal.
- 6 First-class approved quality**  
All products go through our strict quality criteria and testing methods to ensure the high product quality.

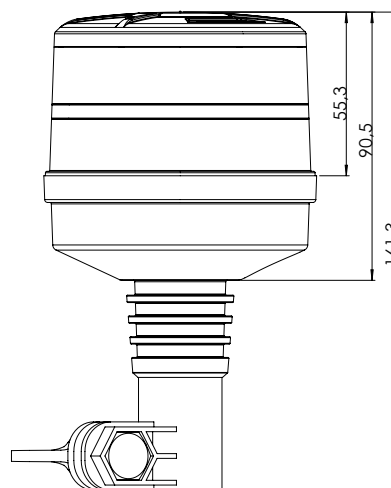
## LED Warning lights 12/24V

Technical details - Premium variants with 3 flash patterns, R65 approval and CISPR 25 class 3

Surface mounting



Pole mounting/DIN



### Description - Surface mounting

Lens:	Impact resistant polycarbonate
Housing:	Impact resistant polycarbonate
Housing top:	Aluminium
Sealing:	EVA
Light colour:	Amber
Measures Ø x H:	Ø115 x 71 mm
Hole pattern:	Ø101 mm / 3 x 87 mm / Ø4,5 mm
Working temperature:	-40°C to +65°C
IP-Rating:	IP6K9K

### Description - Pole mounting/DIN

Lens:	Impact resistant polycarbonate
Housing:	TPE
Housing top:	Aluminium
Light colour:	Amber
Measures Ø x H:	Ø91 x 161 mm
Working temperature:	- 40°C to +65°C
IP-Rating:	IP6K9K

Radio interference (CISPR 25): Klasse 3

ECE R65

EMC

TA1



Mounting	Colour light lens	Connections	Measures	Voltage	Consumption - Max	Flash pattern	Artikel no.
Surface	Transparent glass	500 mm cable open-end Ø6 mm, 3 x 0,75 mm <sup>2</sup>	Ø115 x 71 mm	10-30V	27W	3 (R65) Single 480 ms Double 400 ms Rotating 400 ms	098 287 200
Surface	Amber glass	500 mm cable open-end Ø6 mm, 3 x 0,75 mm <sup>2</sup>	Ø115 x 71 mm	10-30V	27W		098 287 205
Pole (DIN)	Transparent glass	Integrated plug in the socket, DIN 4165	Ø91 x 161 mm	10-30V	27W		098 287 230
Pole (DIN)	Amber glass	Integrated plug in the socket, DIN 4165	Ø91 x 161 mm	10-30V	27W		098 287 235

### Spareparts

Seal - Suitable for 098 287 200 + 098 287 205 without adapter ring

098 295 250

## Wenn more flash patterns are needed

### 10 flash patterns - 1 flash pattern with R65 approval - STANDARD

These 4 variants have similar characteristics as the premium types – the only difference is that this series has a cover of polycarbonate instead of aluminium and has 10 different flash patterns – of these 1 flash pattern with R65 approval.

The warning lights are available with orange or transparent lens and the mounting possibilities are either surface mounting or pole mounting/DIN, and the series are ADR approved. The two types for surface mounting are delivered with an adapter for Ø130 mm hole configuration.



Surface mounting



Adapter ring

## 10 flash patterns

- Single flash 480ms (Reg. 65 approved)
- Single flash 800ms
- Double flash 400ms
- Double flash 800ms
- Triple flash
- Quad flash
- ISO-fase flash 400ms
- ISO-fase flash 800ms
- Rotating 400ms
- Rotating 800ms



Pole mounting/DIN

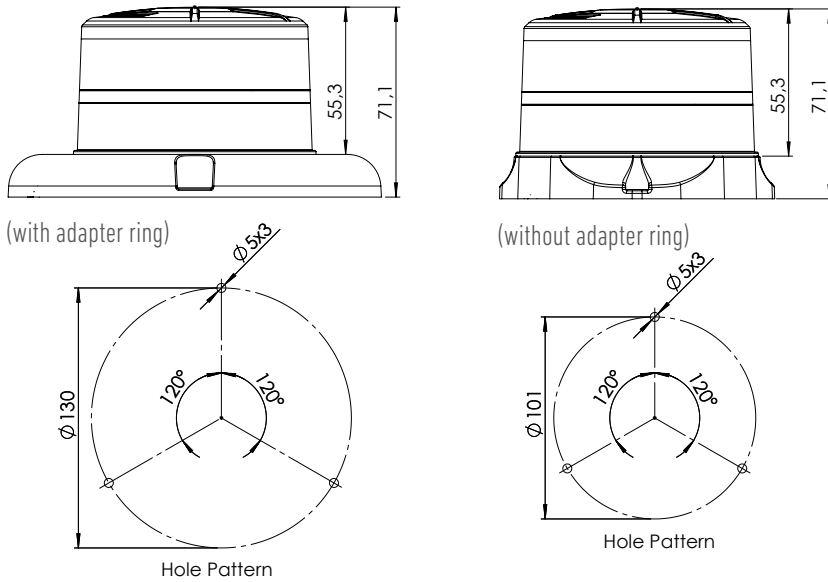




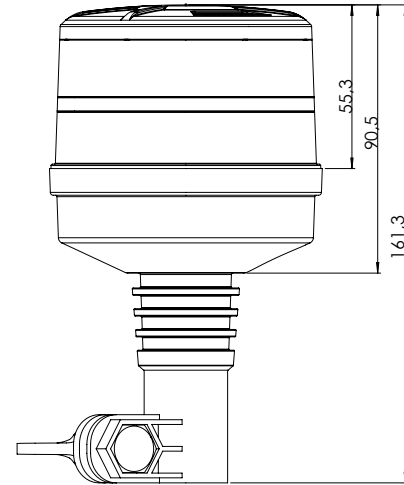
## LED Warning lights 12/24V

Technical details - **Standard** variants with 10 flash patterns

### Surface mounting



### Pole mounting/DIN



#### Description - Surface mounting with adapter ring

Lens: Impact resistant polycarbonate  
 Housing: Impact resistant polycarbonate  
 Housing top: Impact resistant polycarbonate  
 Sealing: EVA  
 Light colour: Amber  
 Measures Ø x H: Ø140 x 71 mm  
 Hole pattern: Ø130 mm / 3 x 112 mm / Ø4,5 mm  
 Working temperature: -40°C to +65°C  
 IP-Rating: IP6K9K

#### Description - Pole mounting/DIN

Lens: Impact resistant polycarbonate  
 Housing: TPE  
 Housing top: Impact resistant polycarbonate  
 Light colour: Amber  
 Measures Ø x H: Ø91 x 161 mm  
 Working temperature: -40°C to +65°C  
 IP-Rating: IP6K9K

ECE R65 EMC

Mounting	Colour light lens	Connections	Measures	Voltage	Consumption	Flash pattern	Artikel no.
Surface	Transperent glass	500 mm cable open-end Ø6 mm, 3 x 0,75 mm <sup>2</sup>	Ø140 x 71 mm	10-30V	23W	See opposite page	098 287 250
Surface	Amber glass	500 mm cable open-end Ø6 mm, 3 x 0,75 mm <sup>2</sup>	Ø140 x 71 mm	10-30V	23W		098 287 255
Pole (DIN)	Transperent glass	Integrated plug in the socket, DIN 4165	Ø91 x 161 mm	10-30V	23W		098 287 280
Pole (DIN)	Amber glass	Integrated plug in the socket, DIN 4165	Ø91 x 161 mm	10-30V	23W		098 287 285

### Spareparts

The adapter ring makes it possible to adapt the LED beacon to mounting holes Ø130 mm - Measurements, Ø x H: Ø140 x 16 mm Bolt distance: Ø130 mm / 3 x 112 mm / Ø4,5 mm Material: Polycarbonate	098 292 640
Seal - Suitable for 098 287 250 + 098 287 255 with adapter ring	098 295 251
Seal - Suitable for 098 287 250 + 098 287 255, if adapter ring is not used	098 295 250

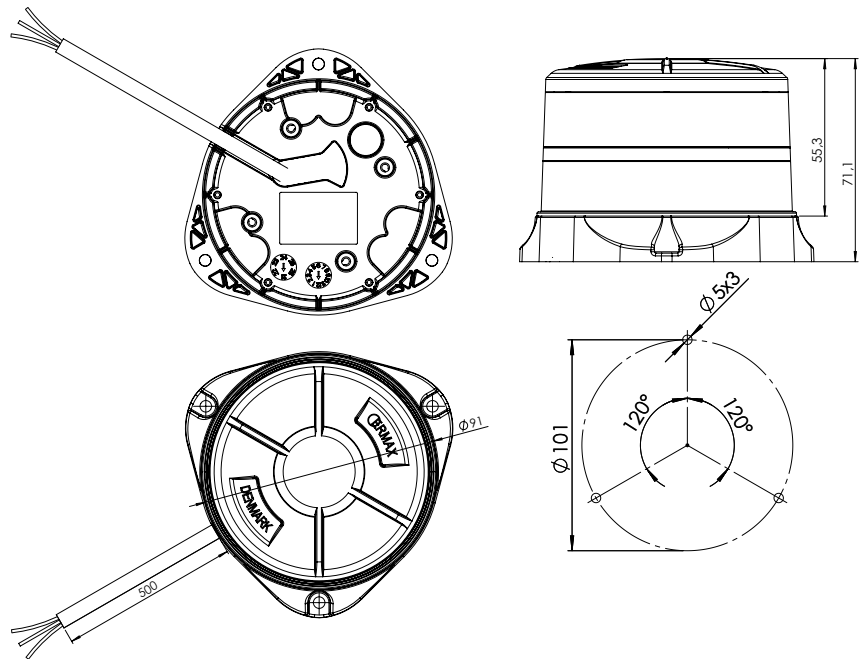
## LED Warning lights 12/24V

### Technical details and flash pattern selection

#### Surface mounting

**Connection:**

- Red: Permanent power supply (+)
- Black: Ground (-)
- Yellow: Choose flash pattern / synchronizing



#### Choose flash pattern - Surface mounting

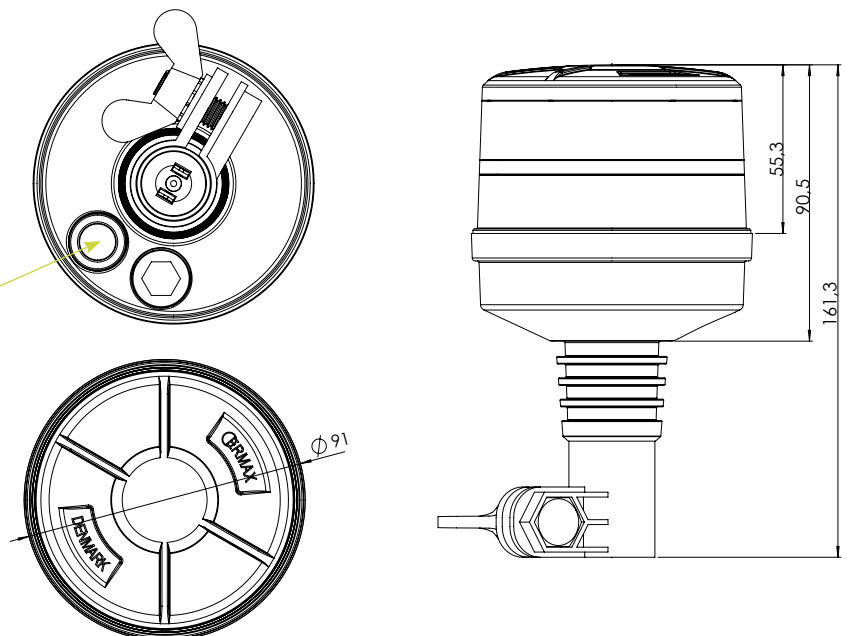
Apply yellow cable to +, hold briefly (0.5-2 sec) and select flash pattern.

To synchronize more lights, all lights must be adjusted to the same flash pattern. Then all yellow cables will be connected to each other.

If the yellow cable is placed at + for more than 2 seconds, the light return to flash pattern 1.

#### Pole mounting/DIN

Press the bottom in order to change the light pattern



#### Choose flash pattern - Pole mounting/DIN

To choose flash pattern, press the red bottom shortly (0.5 – 2 sec).

If pressed at the red bottom for more than 2 seconds, the light return to flash pattern 1.

LED Warning beacons 12-24V - ECE REG.65



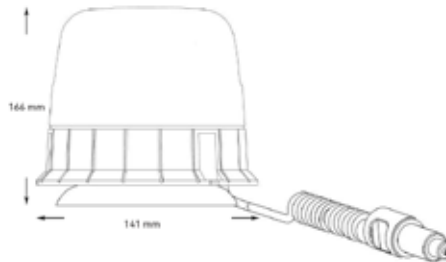
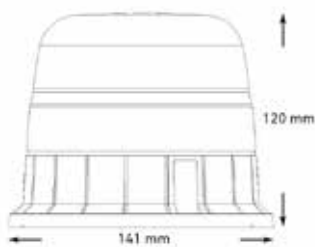
Pos. 1



Pos. 2



Pos. 3



**Description**

Lens: Polycarbonate  
 Housing: Compound thermoplastic  
 Working temperature: -40°C - +60°C  
 Color: Amber

Mounting	IP Rating	Connection	Dimension	Operating voltage	Consumption	Pos.	Article No.
Firm surface mounting	IP69	150 mm cable Open end	Ø141 x 120 mm	12/24V	9W	1	<b>098 287 400</b> 92.0000.6599
Magnetic base	IP56	Coil cable with plug	Ø141 x 166 mm	12/24V	9W	2	<b>098 287 420</b> 92.0000.6601
For mounting bushes	IP69	Integrated plug in Socket	Ø128 x 125 mm	12/24V	9W	3	<b>098 287 410</b> 92.0000.6600

LED Warning beacons 12-24V - ECE REG.65

E ECE R65 EMC



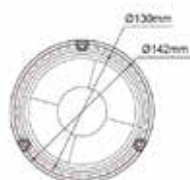
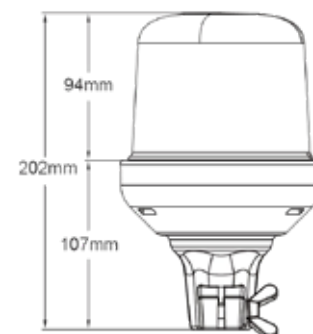
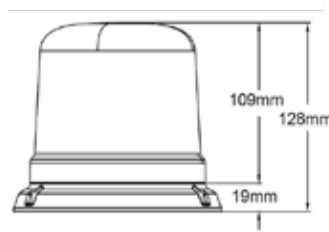
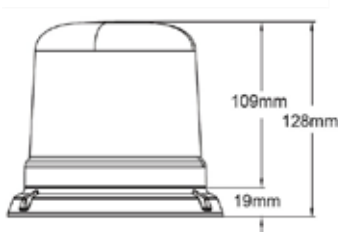
Pos. 1



Pos. 2



Pos. 3



**Description.**

Lens: Polycarbonate  
 Housing: Polycarbonate  
 Working temperature: -30°C to +65°C  
 LED units: 10 x 3W  
 Color: Amber

Installation- and programming instructions at: [www.ermasonline.dk](http://www.ermasonline.dk)

Mounting	IP Rating	Connection	Dimension	Operating voltage	Consumption <small>(depending on f lash patterns)</small>	Flash pattern	Pos.	Article No.
Firm mounting	IP66	400 mm cable Open end	Ø142 x 128 mm	12/24V	21-42W	11	1	<b>098 287 938</b> 92.0000.6451
Magnet	IP66	Coil cable with plug	Ø142 x 128 mm	12/24V	21-42W	11	2	<b>098 287 940</b> 92.0000.6452
For mounting bushes	IP66	Integrated plug in Socket	Ø130 x 202 mm	12/24V	21-42W	11	3	<b>098 287 936</b> 92.0000.6450

LED Warning beacons 12-24V - ECE REG.65

E ECE R65 EMC



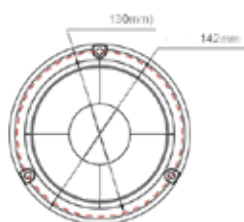
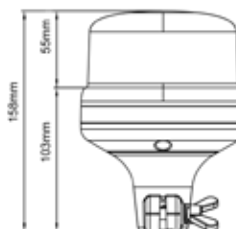
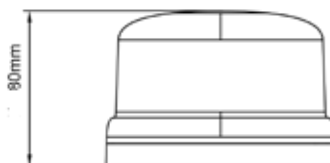
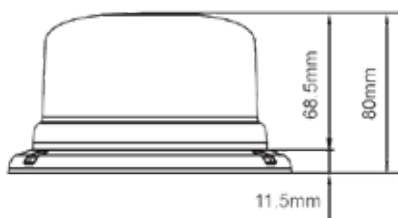
Pos. 1



Pos. 2



Pos. 3



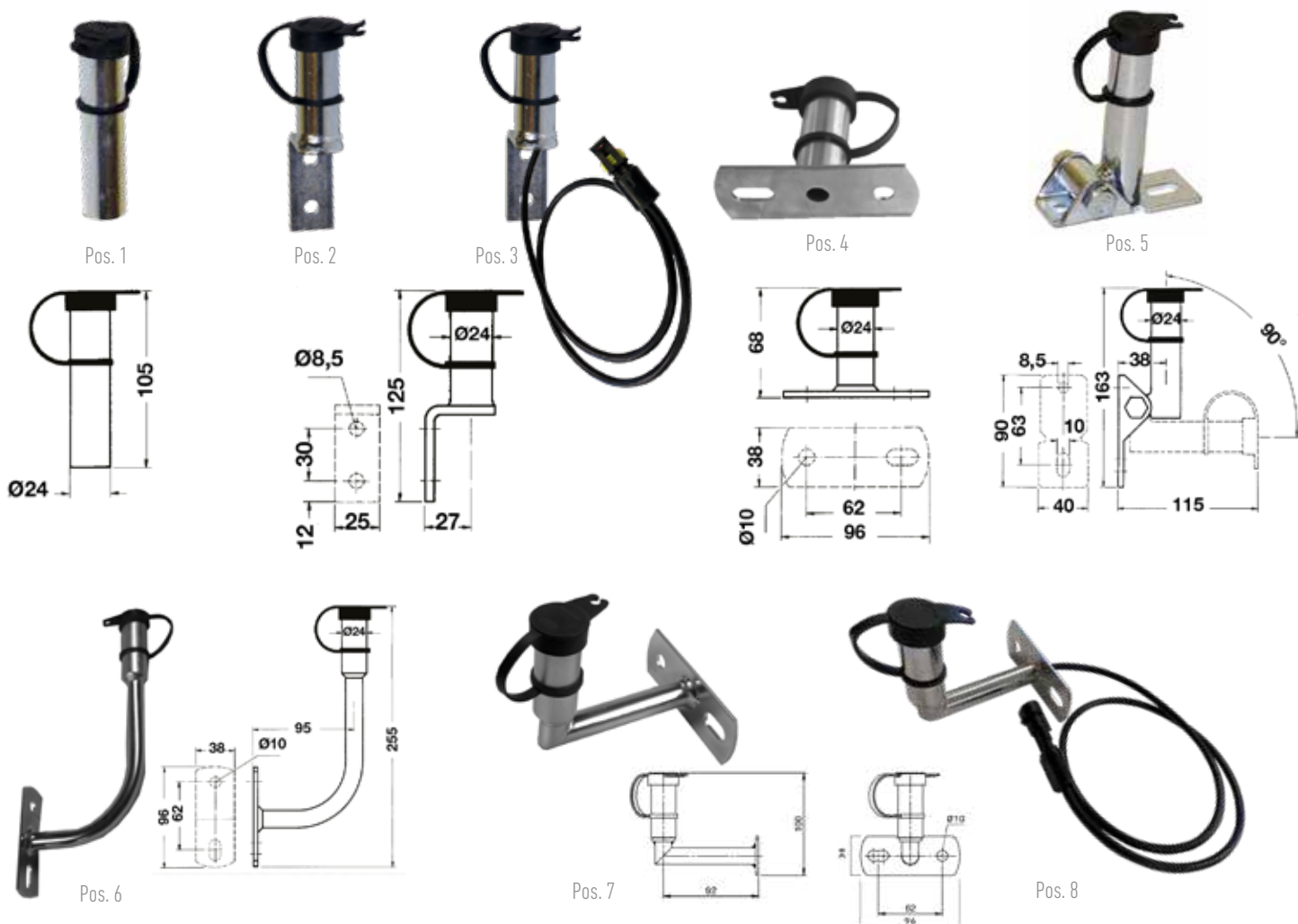
**Description**

Lens: Polycarbonate  
 Housing: Polycarbonate  
 Working temperature: -30°C to +65°C  
 LED units: 8 x 3W  
 Color: Amber

Installation- and programming instructions at: [www.ermasonline.dk](http://www.ermasonline.dk)

Mounting	IP Rating	Connection	Dimension	Operating voltage	Consumption (depending on flash patterns)	Flash pattern	Pos.	Article No.
Firm mounting	IPX5	400 mm cable Open end	Ø142x 80 mm	12/24V	15-30W	11	1	<b>098 287 944</b> 92.0000.6454
Magnetic base	IPX5	Coil cable with plug	Ø142 x 80 mm	12/24V	15-30W	11	2	<b>098 287 946</b> 92.0000.6455
For mounting bushes	IPX5	Integrated plug in Socket	Ø130 x 158 mm	12/24V	15-30W	11	3	<b>098 287 942</b> 92.0000.6453

### Mounting equipment for Warning beacons



**Galvanized steel tube and with protection cap**

DIN Norm	Form	Mounting	Dimension	Connection	Cable	Pos.	Article No.
DIN 72 591	Straight	-	Ø24 x 105 mm	2 poled socket	--	1	098 295 561
DIN 72 591	Straight	Angled bracket	Ø24 x 125 mm	2 poled socket	--	2	098 295 562
DIN 72 591	Straight	Angled bracket	Ø24 x 125 mm	2 poled socket	900 mm cable with Super Seal plug	3	098 295 595
DIN 72 591	Straight	Flush mounting	Ø24 x 128 mm	2 poled socket	--	4	098 295 564
DIN 72 591	Straight	adjustable bracket	Ø24 x 115 mm	2 poled socket	--	5	098 295 567
DIN 72 591	90° angled	Flush mounting	Ø24 x 255 mm	2 poled socket	--	6	098 295 565
DIN 72 591	90° angled	Flush mounting	Ø24 x 100 mm	2 poled socket	--	7	098 295 583
DIN 72 591	90° angled	Flush mounting	Ø24 x 100 mm	2 poled socket	800 mm cable with Super Seal socket	8	098 295 585

# SIMAC<sup>®</sup> Solutions

Control of flashing side marker lights



## The ERMAX solution is called SIMAC®

Compliant to legislation with unique flexibility

### Control of flashing side marker lights ECE 48 since November 2017

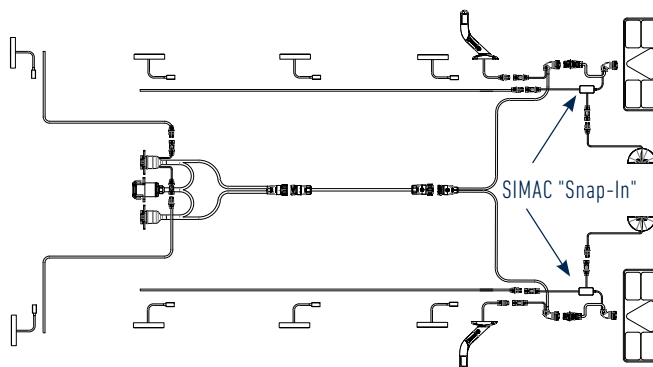
With the ECE regulation No. 48 (Changes series 06) it is prescribed that the side marker lights must flash synchronously and simultaneously with the direction indicators (in the tail light) – this is mandatory for vehicles – class 03 and 04 - being homologated after November 18 2017.

Ermac SIMAC® ensures the compliance with the legislation  
 – we will advise the optimal application

**SIMAC: side marker light Control**

### SIMAC "Snap-In" Modul

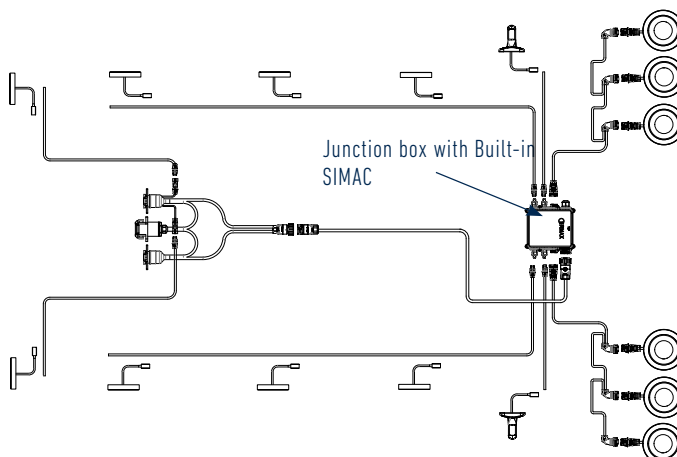
- Ideal for any application, even in retrofit
- The flexible solution in order to keep an existing kit configuration almost unchanged



Product information in the cable section

### SIMAC integrated in the junction box

- Mounted in a secure and protected position with ideal plug connection to the system
- The best possible solution especially when 3 & 2 function lights are being used

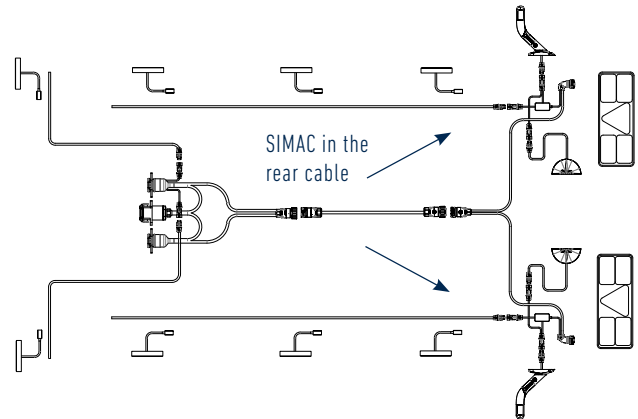
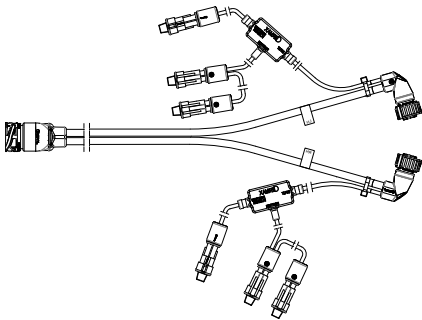


Product information in the junction box section



**SIMAC integrated in the rear cable**

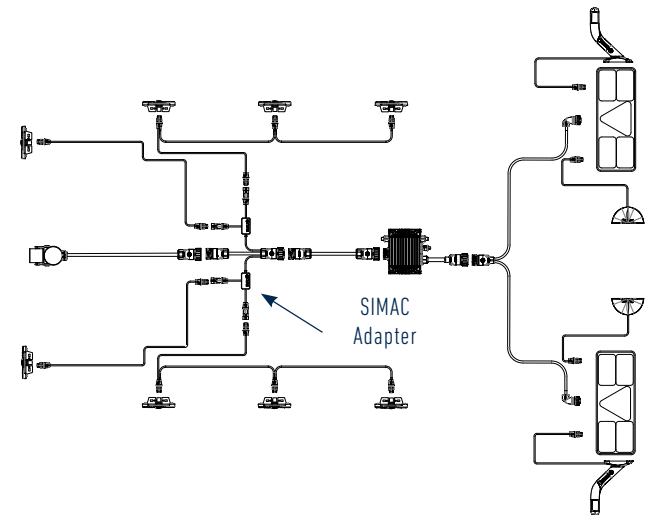
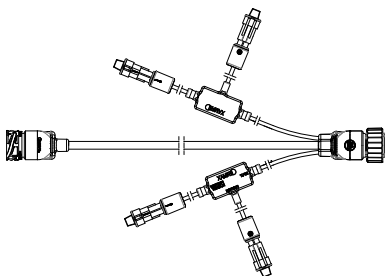
- Optimised design for easy mounting
- Ideal for the lean high-volume solution



Product information in the cable section

**SIMAC as adapter in the main cable**

- Allows mounting of side cables from front to back
- Recommendable when a LED control box is used in the cable system



Product information in the cable section

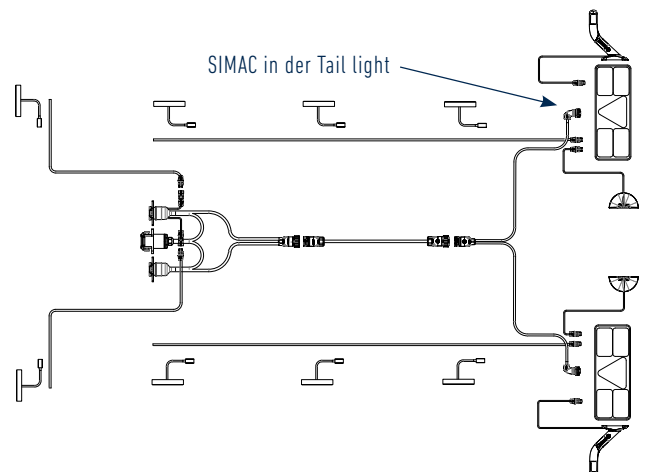
**SIMAC in der tail light integrated**

- The easy and ideal solution without external modules
- No further parts or components needed



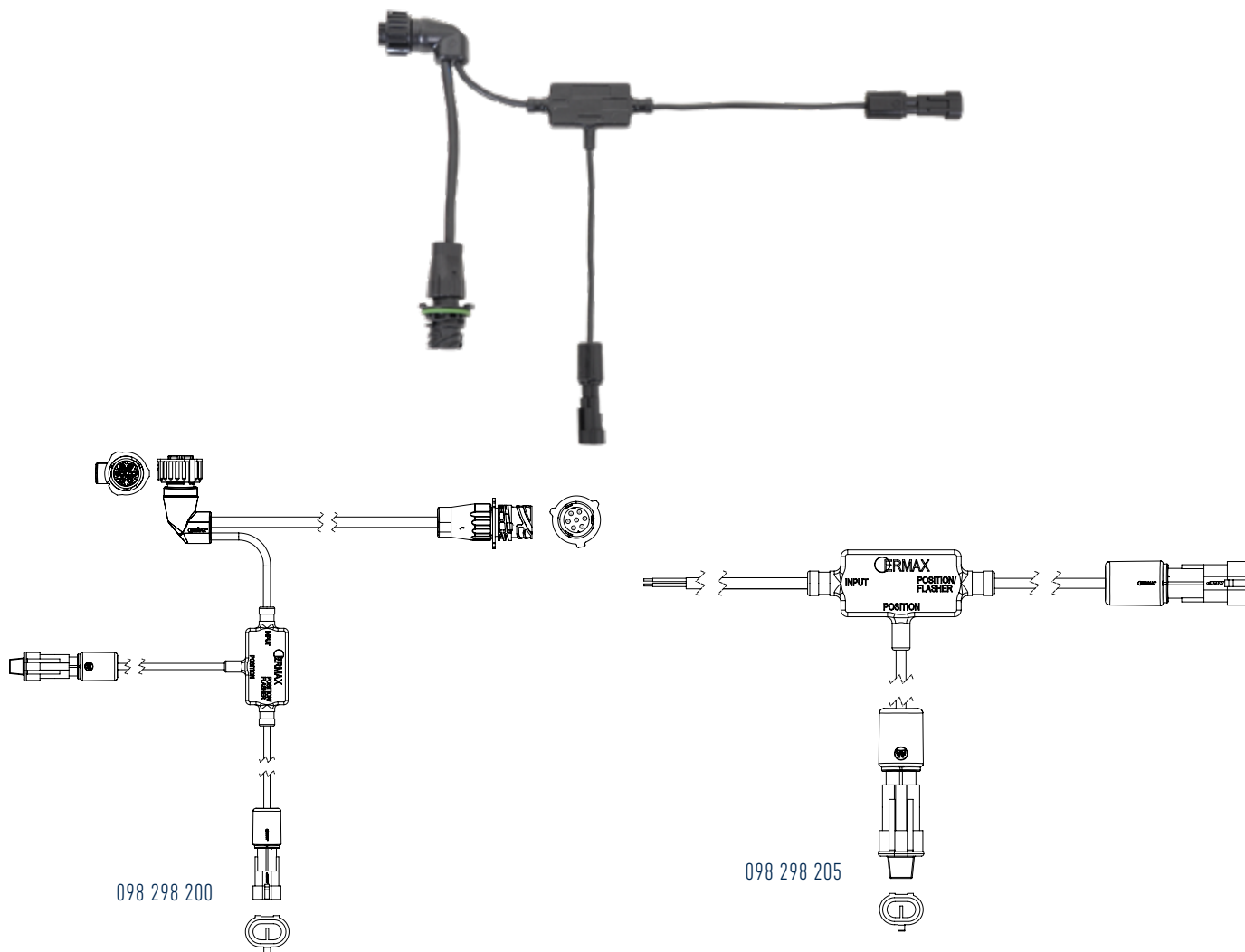
TM10 LED

TM11 LED



Product information in the TM10 tail light section

### SIMAC - Side marker control unit



Controlling the side marker lights. By activating the direction indicator, the side marker light will flash simultaneously. To be connected between rear cable and tail light. With connections for outer end marker light (permanent position light) and for side marker chain. One unit for each side is required.

IP Rating	Inlet	Outlet	Operating Voltage	Article No.
IP67	1x7 poled AMP socket + 1x7 Poled AMP plug	1x Super Seal socket of 200 mm cable for permanent position light 1x Super Seal socket of 200 mm cable for side marker chain.	12/24V	<b>098 298 200</b> 92.0000.6918
IP67	3 core Open end cable Ground: White Position: Green Dir. indicator: Yellow	1x Super Seal socket of 200mm cable for permanent position light 1x Super Seal socket of 200mm cable for side marker chain.	12/24V	<b>098 298 205</b> 92.0000.6919

# CABLES

---



## Front cable



Application/ Description

Article No.

### Front cable with 15 poled socket, straight

ISO Standard: 12098

With Ermax bayonet plug

Conductor cross-section: 12x1 mm<sup>2</sup> + 3x2,5 mm<sup>2</sup>

Cable type: FLRY / PVC

15 core cable 600 mm  
socket, straight

15 core cable 6000 mm  
socket, straight

15 core cable 13.000 mm  
socket, straight

15 core cable 15.000 mm  
socket, straight

**194 006 500**

92.0000.0002

**194 060 500**

92.0000.6165

**194 130 500**

92.0000.1699

**194 150 500**

92.0000.7483



### Front cable with 15 poled socket, angled

15 core cable 7.500 mm  
socket, angled

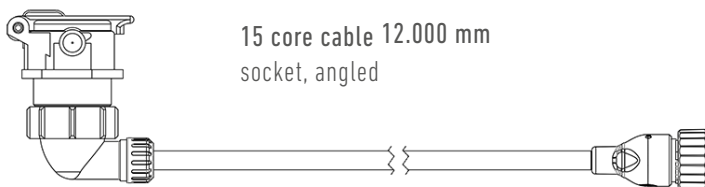
15 core cable 12.000 mm  
socket, angled

**194 075 500**

92.0000.5922

**194 120 500**

92.0000.6252



**SIMAC Friendly**

### Front cable with 15 poled socket, straight

2x2 core outlet with Super Seal socket ISO 12098 pin

5 position left + pin 6 position right

ISO Standard: 12098

Conductor cross-section: 12x1 mm<sup>2</sup> + 3x2,5 mm<sup>2</sup>

With Ermax bayonet plug

Cable type: FLRY / PVC

15 core cable 600 mm  
socket, straight

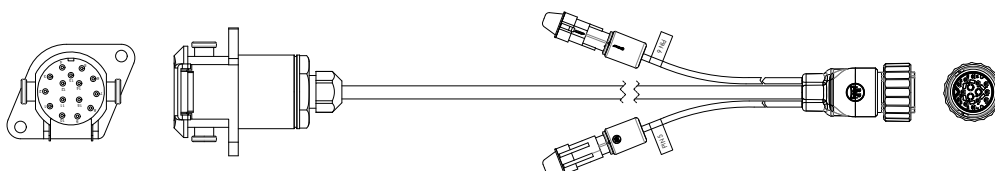
15 core cable 7000 mm  
socket, straight

**194 006 501**

92.0000.1696

**194 070 501**

92.0000.xxxx



## Front cable



Application/ Description

Article No.

### Front cable with 15 poled plug, straight

ISO Standard: 12098

With Ermax bayonet plug

Conductor cross-section:  $7 \times 1 \text{ mm}^2 + 2 \times 2,5 \text{ mm}^2$

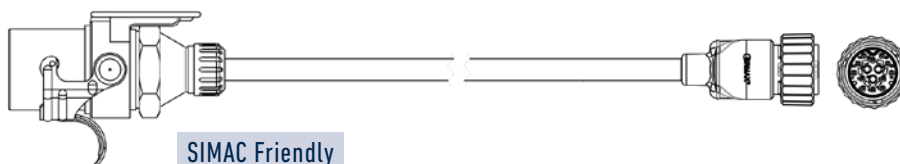
Cable type: FLRYY / PVC

9 core cable 1.000 mm

Pin-Nr. 9 connected to pin 12 (ISO 12098 Aux 3)

9 core cable 4.800 mm

Pin-Nr. 9 connected to pin 12 (ISO 12098 Aux 3)



**SIMAC Friendly**

This front cable is SIMAC Friendly in connection with adapter 394 003 504

**294 010 100**

92.0000.6170

**294 048 100**

92.0000.0029

### Front cable with 15 poled plug, straight

ISO Standard: 12098

With Ermax bayonet plug

Conductor cross-section:  $12 \times 1 \text{ mm}^2 + 3 \times 2,5 \text{ mm}^2$

Cable type: FLRYY / PVC

15 core cable 1.000 mm

15 core cable 4.800 mm

15 core cable 7.000 mm



**SIMAC Friendly**

2x2 core outlet with Super Seal socket, pin ISO 12098 5 left position + pin 6 right position.

15 core cable 3.500 mm

15 core cable 4.800 mm

**294 010 500**

92.0000.7676

**294 048 500**

92.0000.0025

**294 070 500**

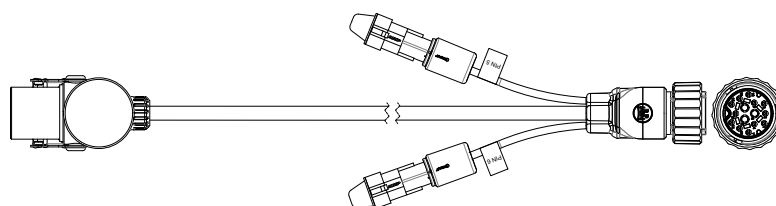
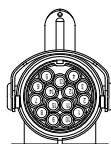
92.0000.6512

**294 035 501**

92.0000.6541

**294 048 501**

92.0000.6468



## Front cable

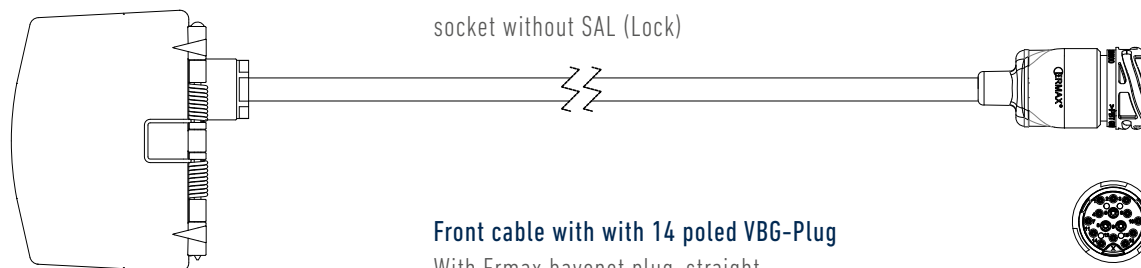
Application/ Description

Article No.

### Front cable with 14 poled VBG-socket

With Ermax bayonet plug, straight  
 Conductor cross-section:  $12 \times 1 \text{ mm}^2 + 3 \times 2,5 \text{ mm}^2$   
 Cable type: FLRYY / PVC

15 core cable 400 mm  
 socket without SAL (Lock)

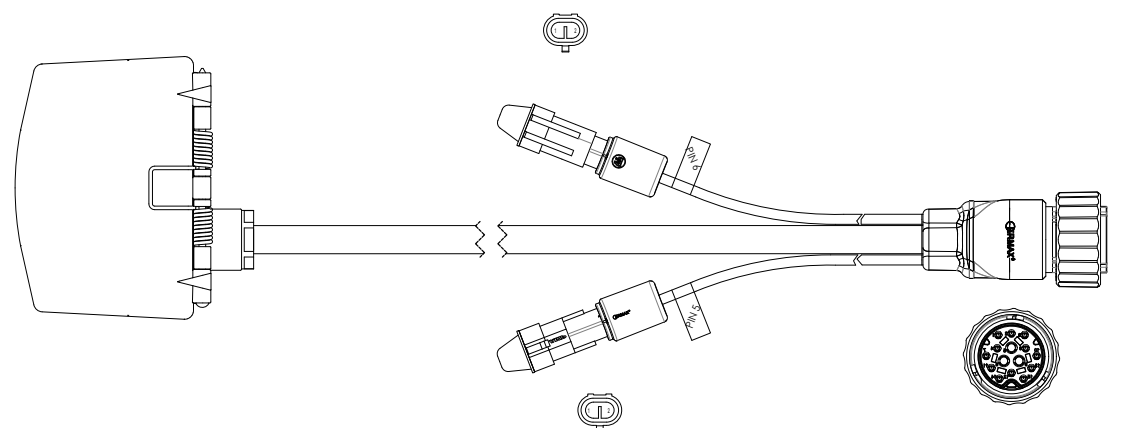


**194 004 490**  
 92.0000.6714

### Front cable with with 14 poled VBG-Plug

With Ermax bayonet plug, straight  
 Conductor cross-section:  $12 \times 1 \text{ mm}^2 + 3 \times 2,5 \text{ mm}^2$   
 Cable type: FLRYY / PVC

15 core cable 4.800 mm  
 Plug with SAL (Lock)

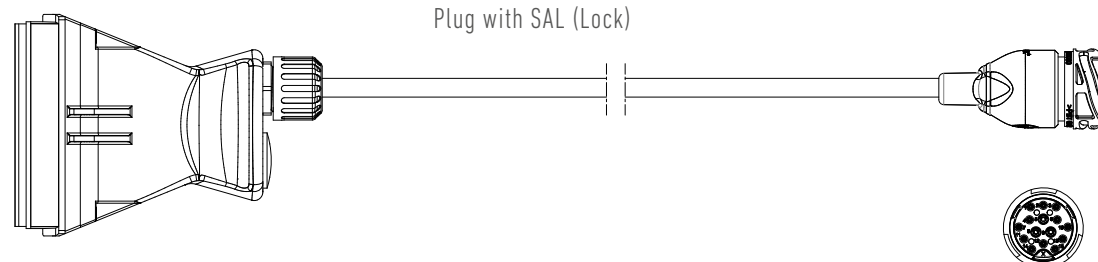


**294 048 491**  
 92.0000.6274

### Front cable with 14 poled 15 VBG-plug

Ermax bayonet plug, straight  
 Conductor cross section:  $12 \times 1 \text{ mm}^2 + 3 \times 2,5 \text{ mm}^2$

15 core 4800 mm  
 Plug with SAL (Lock)



**294 048 493**  
 92.0000.7732

## Front cable

Application/ Description

Article No.

### Front cable with 14 poled VBG-plug

With Ermax bayonet plug, straight

Conductor cross-section:  $12 \times 1 \text{ mm}^2 + 3 \times 2,5 \text{ mm}^2$

Cable type: FLRY / PVC

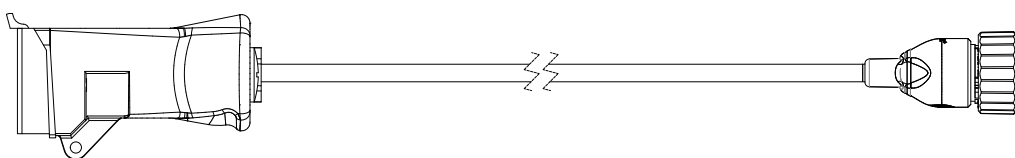
**SIMAC Friendly**

15 core cable 4.800 mm

Plug with SAL (Lock)

**294 048 491**

92.0000.6274



### Front cable with with 14 poled VBG-Plug

With Ermax bayonet plug, straight

Conductor cross-section:  $12 \times 1 \text{ mm}^2 + 3 \times 2,5 \text{ mm}^2$

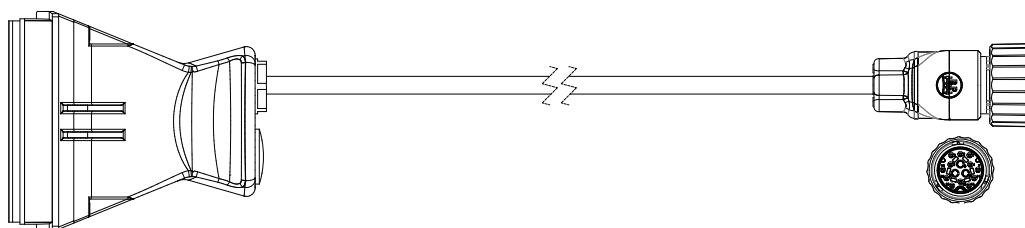
Cable type: FLRY / PVC

15 core cable 4.800 mm

Plug with SAL (Lock)

**294 048 493**

92.0000.7732



## Front cable

Application/ Description

Article No.

### Front cable with 2x7 poled socket, straight

ISO Standard: 1185 + 3731

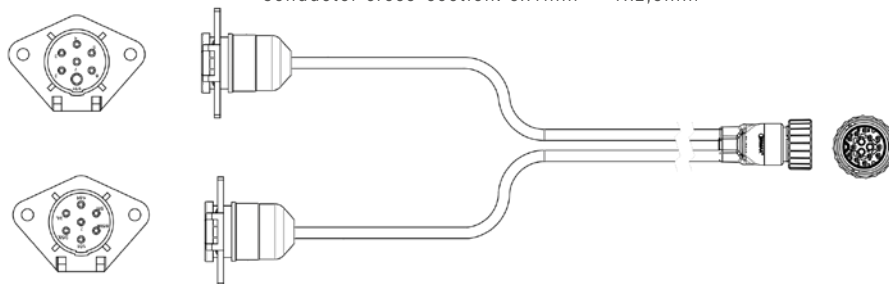
With Ermax bayonet plug

Cable type: FLRYY / PVC

Pin-Nr.11 in Ermax bayonet plug not connected  
(Aux 1 / brake wear sensor)

14 core (2x7 core) cable 600 mm

Conductor cross-section:  $6 \times 1 \text{mm}^2 + 1 \times 2,5 \text{mm}^2$



194 006 430

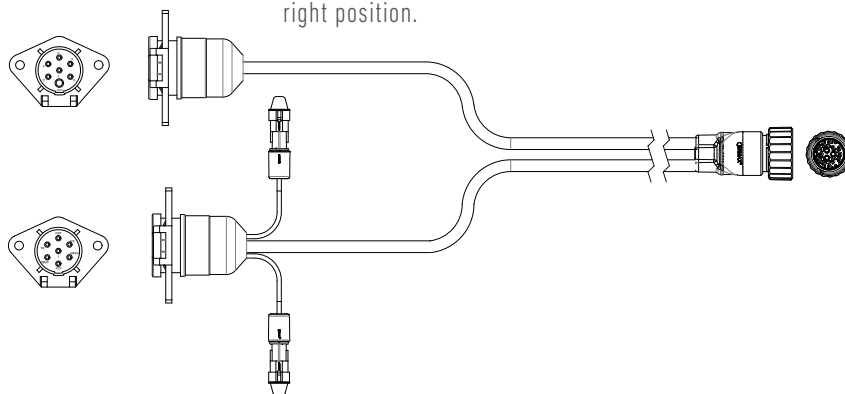
92.0000.1695

### SIMAC Friendly

14 core (2x7 core) cable 600 mm

Conductor cross-section:  $6 \times 1 \text{mm}^2 + 1 \times 2,5 \text{mm}^2$

2x2 core outlet with Super Seal socket, ISO 12098 pin 5 left position + pin 8 right position.



194 006 433

92.0000.5376

### Front cable with 2x7 poled socket, straight

ISO Standard: 1185 + 3731

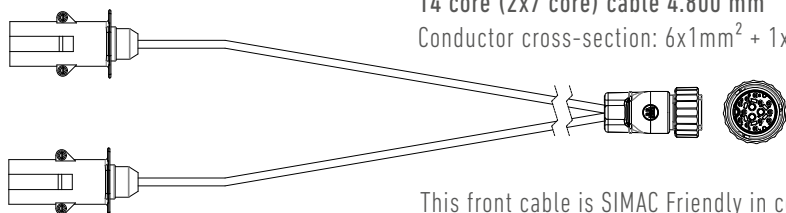
With Ermax bayonet plug

Cable type: FLRYY / PVC

Pin-Nr.11 in Ermax bayonet plug not connected  
(Aux 1 / brake wear sensor)

14 core (2x7 core) cable 4.800 mm

Conductor cross-section:  $6 \times 1 \text{mm}^2 + 1 \times 2,5 \text{mm}^2$



### SIMAC Friendly

This front cable is SIMAC Friendly in connection with adapter 394 003 504

294 048 430

92.0000.1700



**Front cable**

Application/ Description

Article No.

**Front cable with 15+2x7 poled socket, straight**

ISO Standard: 12098 + 1185 + 3731

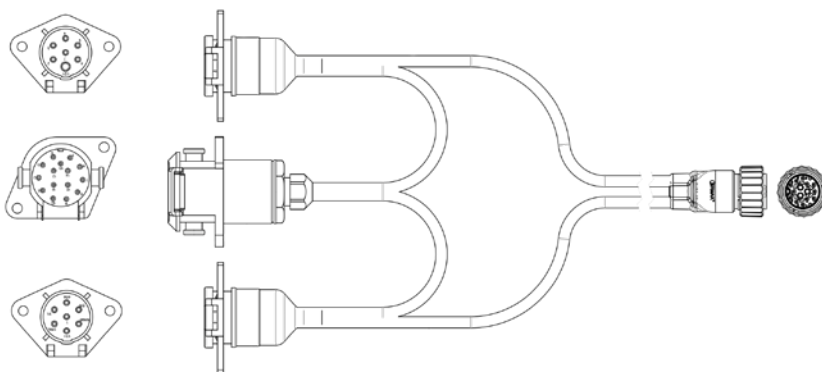
With Ermax bayonet plug

Cable type: FLRY / PVC

Pin-Nr.11 in Ermax bayonet plug not connected

**14 core (2x7 core) cable 600 mm**

Conductor cross-section: 6x1mm<sup>2</sup> + 1x2,5mm<sup>2</sup>



**194 006 410**

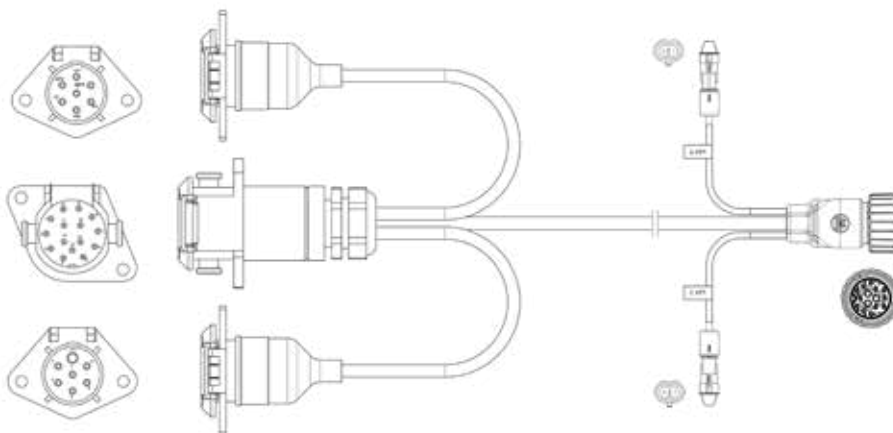
92.0000.0033

**SIMAC Friendly**

**15 core + 2x7 core cable - 600 mm**

Conductor cross-section: 12x1 mm<sup>2</sup>+3x2,5 mm<sup>2</sup>

With 2x2 poled outlet with Super Seal socket pin 5+6 LH+RH position



**194 006 511**

92.0000.7953

## Front cable

Application/ Description	Article No.
--------------------------	-------------

### Frontbox with 15+2x7 poled socket, straight

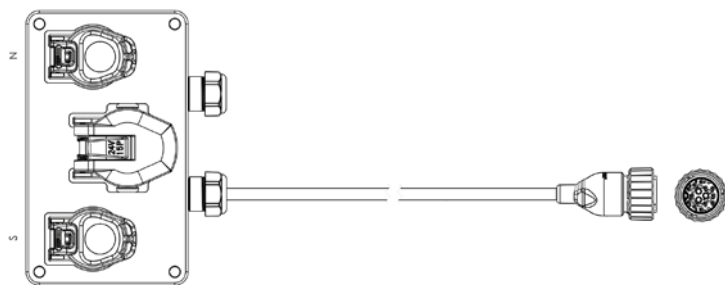
ISO Standard: 12098 + 1185 + 3731

With Ermax bayonet plug

Cable type: FLRY / PVC

15 core cable 600 mm

Conductor cross-section:  $12 \times 1 \text{ mm}^2 + 3 \times 2,5 \text{ mm}^2$



**194 006 570**

92.0000.1697

### SIMAC Friendly

### Frontbox with 15+2x7 poled socket

2x2 core outlet with Super Seal socket, ISO 12098

pin 5 left position + pin 6 right position.

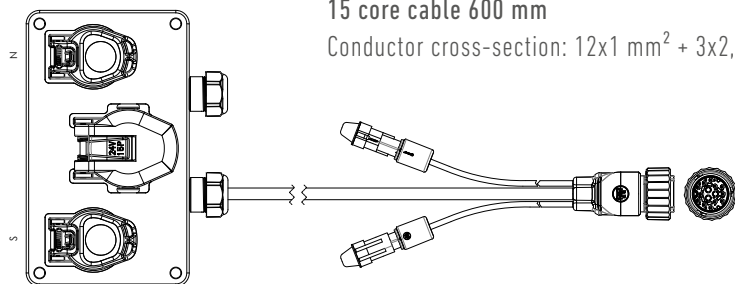
ISO Standard: 12098 + 1185 + 3731

With Ermax bayonet plug

Cable type: FLRY / PVC

15 core cable 600 mm

Conductor cross-section:  $12 \times 1 \text{ mm}^2 + 3 \times 2,5 \text{ mm}^2, 2 \times 1 \text{ mm}^2$



**194 006 571**

92.0000.1698

### Spare parts / Accessories



Pos. 1



Pos. 2

Rubber grommet for front screw connection in frontbox. Suitable for 099865050, 194006570 and 194006571	1	<b>099 110 230</b> 92.0000.7046
Rubber grommet for front screw connection in frontbox. Suitable for 099865050, 194006570 and 194006571	2	<b>099 110 231</b> 92.0000.7047

## Main cable



Application/ Description

Article No.

**Main cable**

Ermax bayonet plug &gt; socket

Conductor cross-section:  $8 \times 1 \text{ mm}^2 + 1 \times 2,5 \text{ mm}^2$ 

Cable type: FLRY / PVC

Pin-Nr. 9 connected to pin 12 (ISO 12098 Aux 3)

9 core 4.000 mm

9 core 6.000 mm

9 core 7.000 mm

9 core 9.000 mm

9 core 10.000 mm

9 core 13.000 mm

9 core 15.000 mm

9 core 17.000 mm

9 core 20.000 mm

**394 040 100**

92.0000.5382

**394 060 100**

92.0000.1704

**394 070 100**

92.0000.1708

**394 090 100**

92.0000.1709

**394 100 100**

92.0000.5385

**394 130 100**

92.0000.0031

**394 150 100**

92.0000.1721

**394 170 100**

92.0000.6986

**394 200 100**

92.0000.5914

**Main cable**

Ermax bayonet plug &gt; socket

Conductor cross-section:  $12 \times 1 \text{ mm}^2 + 3 \times 2,5 \text{ mm}^2$ 

Cable type: FLRY / PVC

15 core 2.000 mm

15 core 7.000 mm

15 core 8.000 mm

15 core 9.000 mm

15 core 11.000 mm

15 core 13.000 mm

15 core 15.000 mm

**394 020 500**

92.0000.6236

**394 070 500**

92.0000.6236

**394 080 500**

92.0000.6513

**394 090 500**

92.0000.0021

**394 110 500**

92.0000.6045

**394 130 500**

92.0000.0000

**394 150 500**

92.0000.0034



## Main cable



Application/ Description

Article No.

### Main cable

Ermac bayonet plug > socket

Conductor cross-section:  $8 \times 1 \text{ mm}^2 + 1 \times 2,5 \text{ mm}^2 / 2 \times 1 \text{ mm}^2$

Cable type: FLRYY / PVC

9. core is connected to pin 12 (ISO 12098 Aux 3)

2x2 poled outlet with Super Seal socket (ISO 12098 Pin 7 stop / Pin 12 lift axle Aux 3)

9 core 9.000 mm 2x2 poled Aux. Pin 7+12 rear

**394 090 101**

92.0000.1710

9 core 13.000 mm 2x2 poled Aux. Pin 7+12 rear

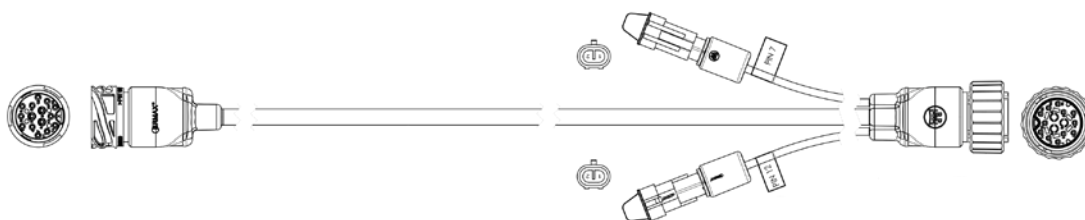
**394 130 101**

92.0000.1715

9 core 15.000 mm 2x2 poled Aux. Pin 7+12 rear

**394 150 101**

92.0000.1722



### Main cable

Ermac bayonet plug > socket

Conductor cross-section:  $8 \times 1 \text{ mm}^2 + 1 \times 2,5 \text{ mm}^2 / 2 \times 1 \text{ mm}^2$

Cable type: FLRYY / PVC

9. core is connected to pin 12 (ISO 12098 Aux 3)

2x2 poled outlet with Super Seal socket (ISO 12098 Pin 8 reverse light / Pin 12 lift axle Aux 3)

9 core 6.000 mm 2x2 poled Aux. Pin 8+12 rear

**394 060 102**

92.0000.5384

9 core 9.000 mm 2x2 poled Aux. Pin 8+12 rear

**394 090 102**

92.0000.1711

9 core 13.000 mm 2x2 poled Aux. Pin 8+12 rear

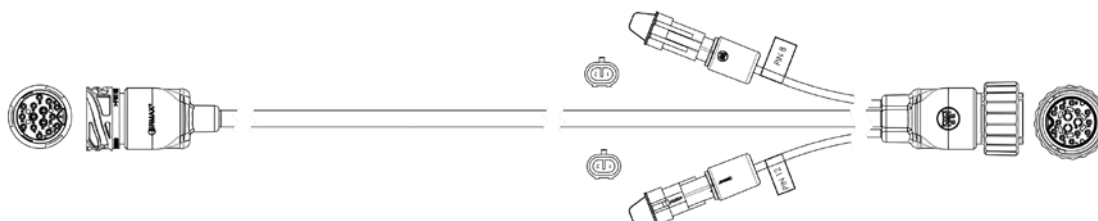
**394 130 102**

92.0000.1716

9 core 15.000 mm 2x2 poled Aux. Pin 8+12 rear

**394 150 102**

92.0000.1723



**Main cable**



Application/ Description

Article No.

**Main cable**

Ermac bayonet plug > socket

Conductor cross-section: 8x1 mm<sup>2</sup>+1x2,5 mm<sup>2</sup> / 2x1 mm<sup>2</sup>

Cable type: FLRY Y / PVC

2x2 poled outlet with Super Seal socket (ISO 12098 pin 8 reverse light / pin 9 permanent positive)

9 core 9.000 mm 2x2 poled Aux. pin 8+9 rear

**394 090 105**

92.0000.1712

9 core 13.000 mm 2x2 poled Aux. pin 8+9 rear

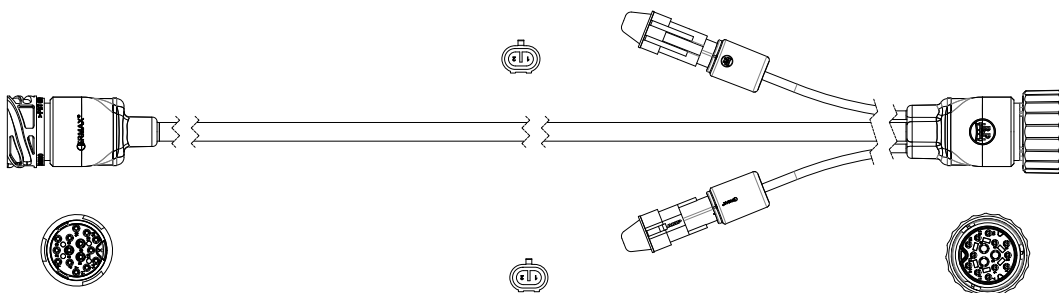
**394 130 105**

92.0000.1717

9 core 15.000 mm 2x2 poled Aux. pin 8+9 rear

**394 150 105**

92.0000.1724



**Main cable**

Ermac bayonet plug > socket

Conductor cross-section: 8x1 mm<sup>2</sup>+1x2,5 mm<sup>2</sup> and 6x1 mm<sup>2</sup>+1x2,5 mm<sup>2</sup>

Cable type: FLRY Y / PVC

with 7 core outlet and 7 poled AMP 1.5 plug

9 core 300 mm

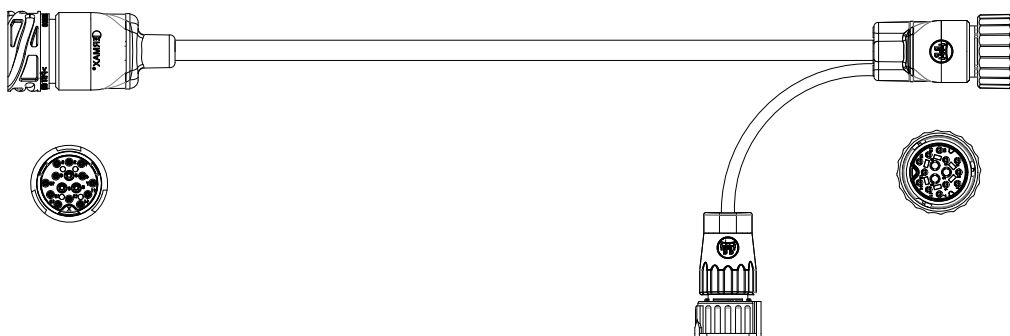
**394 003 107**

92.0000.9171

9 core 6.000 mm

**394 060 107**

92.0000.6883



## Main cable



Application/ Description

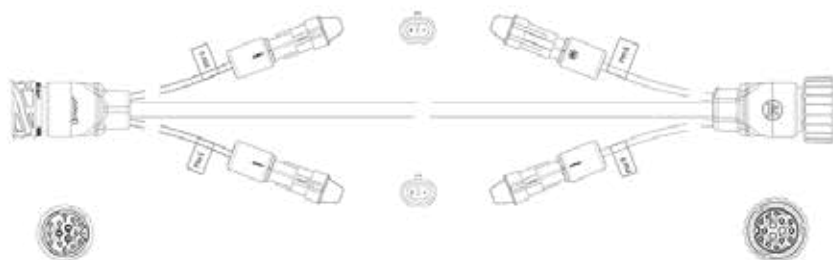
Article No.

### Main cable

4x2 poled Aux with Super Seal socket (ISO 12098 pin 8 reverse light / pin 9 permanent positive, pin 5 left position / 6 right position)  
 Ermax bayonet plug > socket  
 Cable type: FLRYY / PVC

9 core 9.000 mm

Conductor cross-section:  $8 \times 1 \text{ mm}^2 + 1 \times 2,5 \text{ mm}^2 + 2 \times 1 \text{ mm}^2$



**394 090 115**  
 92.0000.5360

### Main cable / Intermediate / Adapter

Ermax bayonet plug > socket  
 Conductor cross-section:  $12 \times 1 \text{ mm}^2 + 3 \times 2,5 \text{ mm}^2 / 2 \times 1 \text{ mm}^2$   
 Cable type: FLRYY / PVC  
 Pin-Nr. 9 connected to pin 12 (ISO 12098 Aux 3)  
 2x2 poled outlet with Super Seal socket (ISO 12098)

15 core 300 mm 2x2 poled Aux. Pin 7+12 rear  
 Pin 7 stop / Pin 12 lift axle Aux 3)

**394 003 501**  
 92.0000.1701

15 core 300 mm 2x2 poled Aux. Pin 8+12 rear  
 Pin 8 reverse light / Pin 12 lift axle Aux 3)

**394 003 502**  
 92.0000.1702

15 core 300 mm 2x2 poled Aux. Pin 8+9 rear  
 Pin 8 reverse light / Pin 9 permanent positive

**394 003 505**  
 92.0000.6087

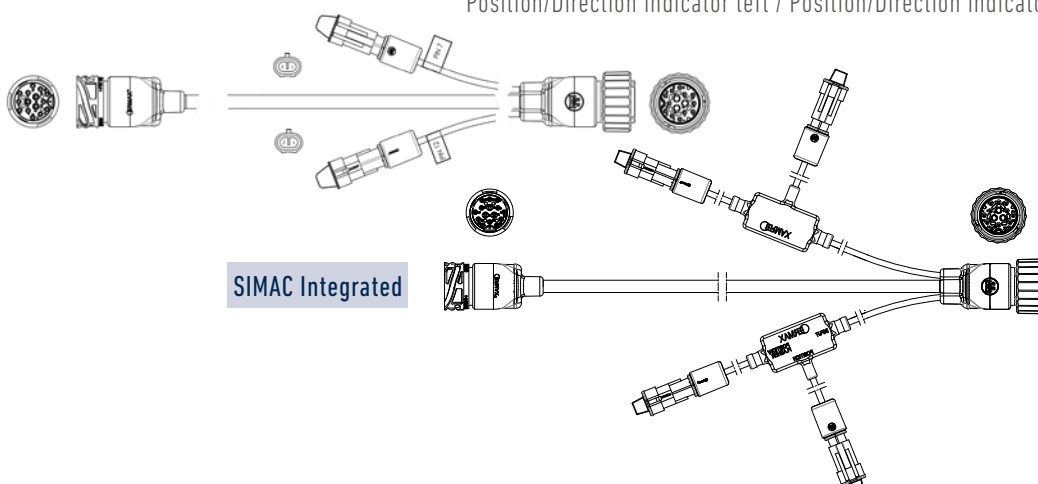
15 core 300 mm 2x2 poled Pin 5+6 (Position R/L)  
 Pin 5 position left / Pin 6 position right

**394 003 504**  
 92.0000.7042

**SIMAC Integrated**

15 core 300 mm 2xSIMAC (Position R/L)  
 Pin 5 position left / Pin 6 position right  
 Position/Direction indicator left / Position/Direction indicator right

**394 003 506**  
 92.0000.7481



**SIMAC Integrated**

## Main cable



Application/ Description

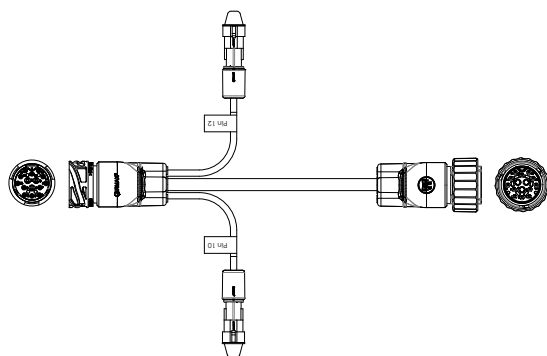
Article No.

### Main cable (Adapter)

Ermac bayonet plug > socket  
 2x2 poled outlet with Super Seal socket (ISO 12098 Pin 10 brake-wear sensor / Pin 12 lift axle Aux 3)  
 2x2 poled Aux. pin 10+12 rear  
 Cable type: FLRY / PVC

### 15 core 300 mm

Conductor cross-section:  $12 \times 1 \text{ mm}^2 + 3 \times 2,5 \text{ mm}^2 / 2 \times 1 \text{ mm}^2$



**394 003 530**

92.0000.5359

### Main cable (Adapter) 15 core 300 mm

Ermac bayonet plug > socket  
 Conductor cross-section :  $12 \times 1,0 \text{ mm}^2 + 3 \times 2,5 \text{ mm}^2 / 2 \times 1,0 \text{ mm}^2$   
 Cable type : FLRY / PVC

### 15 core 300 mm 4x2 poled outlet with Super Seal socket

ISO12098 Pin 9, Pin 10, Pin 11, Pin 12

Front : AUX2 and AUX3

Rear : AUX1 and permanent positive 24V

**394 003 526**

92.0000.6086

### 15 core 300 mm 4x2 poled outlet with Super Seal socket

ISO12098 Pin 7, Pin 8, Pin 10, Pin 12

Front : AUX1 and AUX3

Rear : Stop- and reverse light

**394 003 533**

92.0000.6086

### 15 core 2000 mm 4x2 poled outlet with Super Seal socket

ISO12098 Pin 7, Pin 8, Pin 10, Pin 12

Front : AUX1 and AUX3

Rear : 7 stop light + 8 reversing light

**394 020 533**

92.0000.6687

### 15 core 300 mm 4x2 poled outlet with Super Seal socket

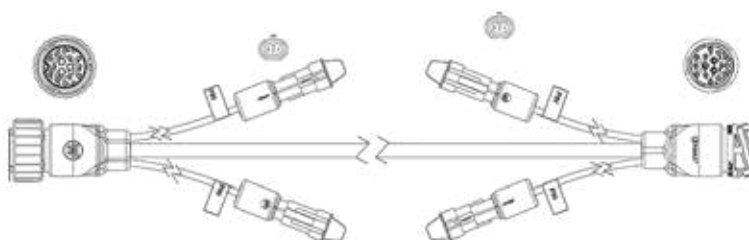
ISO12098 Pin 9, Pin10, Pin 11, Pin 12, Pin14, Pin 15

Front : permanent positive and AUX3

Rear : AUX1, AUX2 and CAN H, CAN L

**394 003 534**

92.0000.7005



Main cable



Application/ Description

Article No.

**Main cable (Adapter)**

AMP 1,5 Plug > socket

2x2 poled outlet with Super Seal socket (ISO 12098 pin 8 reverse light / pin 3 rear fog light)

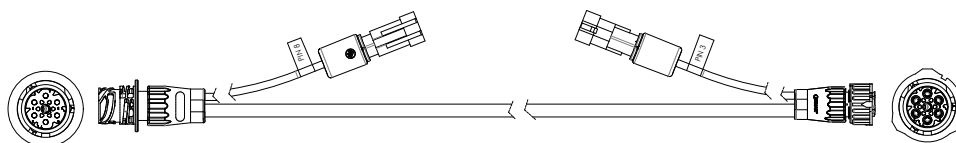
Cable type: FLRY / PVC

7 core 300 mm 2x2 poled aux. pin 8+3

Conductor cross-section:  $6 \times 1 \text{ mm}^2 + 1 \times 2,5 \text{ mm}^2 / 2 \times 1 \text{ mm}^2$

**394 003 001**

92.0000.5358



**Main cable (Adapter)**

Ermac bayonet socket > socket

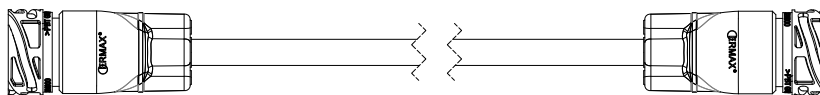
Cable type: FLRY / PVC

15 core 300 mm

Conductor cross-section:  $12 \times 1 \text{ mm}^2 + 3 \times 2,5 \text{ mm}^2$

**394 003 560**

92.0000.5359



**Main cable (Adapter)**

Ermac bayonet socket > socket

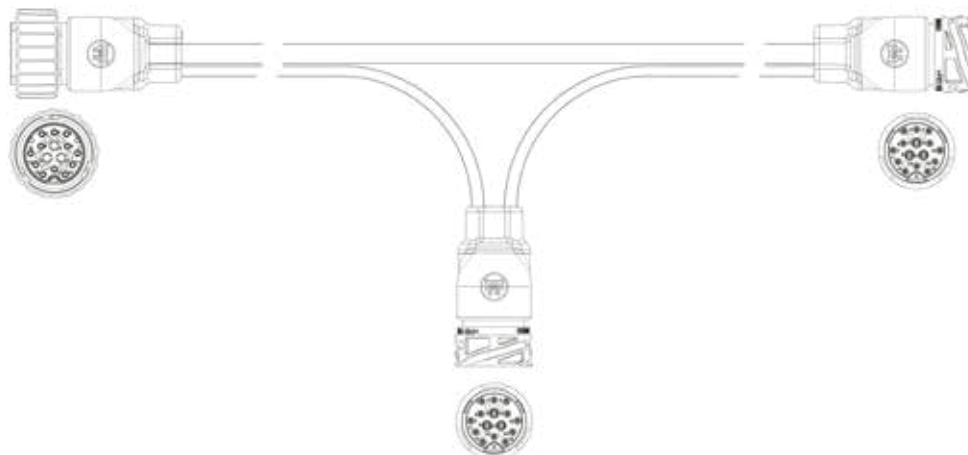
Cable type: FLRY / PVC

15 core 300 mm

Conductor cross-section:  $8 \times 1,0 \text{ mm}^2 + 1 \times 2,5 \text{ mm}^2 + 7 \times 1,0 \text{ mm}^2$

**394 003 160**

92.0000.7816





## Main cable



Application/ Description

Article No.

**Main cable, Open end**

Ermax bayonet socket &gt; Open end with blade receptacles 6,3x0,8 mm

Conductor cross-section: 12x1 mm<sup>2</sup> + 3x2,5 mm<sup>2</sup>

Cable type: FLRY / PVC

For mounting in junction box

15 core 500 mm

**394 005 551**

92.0000.0032

15 core 6.000 mm

**394 060 551**

92.0000.1705

15 core 9.000 mm

**394 090 551**

92.0000.0030

15 core 13.000 mm

**394 150 551**

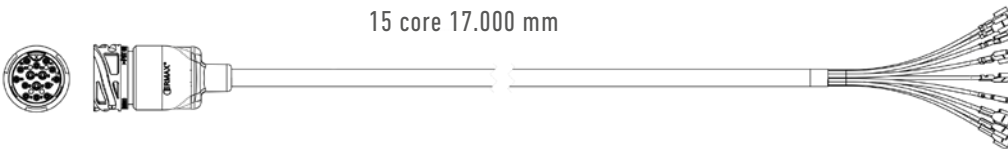
92.0000.1725

15 core 15.000 mm

15 core 17.000 mm

**394 170 551**

92.0000.7272

**Main cable, Open end (Front cable)**

Open end with blade receptacles 6,3x0,8 mm &gt; Ermax bayonet plug

Conductor cross-section: 12x1 mm<sup>2</sup> + 3x2,5 mm<sup>2</sup>

Cable type: FLRY / PVC

For mounting front box / plug

15 core 600 mm

**394 006 571**  
92.0000.1703

15 core 6.000 mm

**394 060 571**  
92.0000.1706

15 core 9.000 mm

**394 090 571**  
92.0000.1713

15 core 13.000 mm

**394 130 571**  
92.0000.1719

15 core 15.000 mm

**394 150 571**  
92.0000.1726

## Rear cable



Application/ Description

Article No.

### Rear cable

Ermac bayonet socket > 2xAMP-1.5-plug, angled

Cable type: FLRYR / PVC

2x6 core 2.500 mm

Conductor cross-section: 6x1 mm<sup>2</sup>

2x6 core 2.500 mm

With 2x2 poled outlet for side marker light

Conductor cross-section: 6x1 mm<sup>2</sup> / 2x1 mm<sup>2</sup>

**SIMAC Integrated**

2x6 core 2.500 mm

With SIMAC-Function integrated and 4x2 poled outlet for position light

**494 025 600**

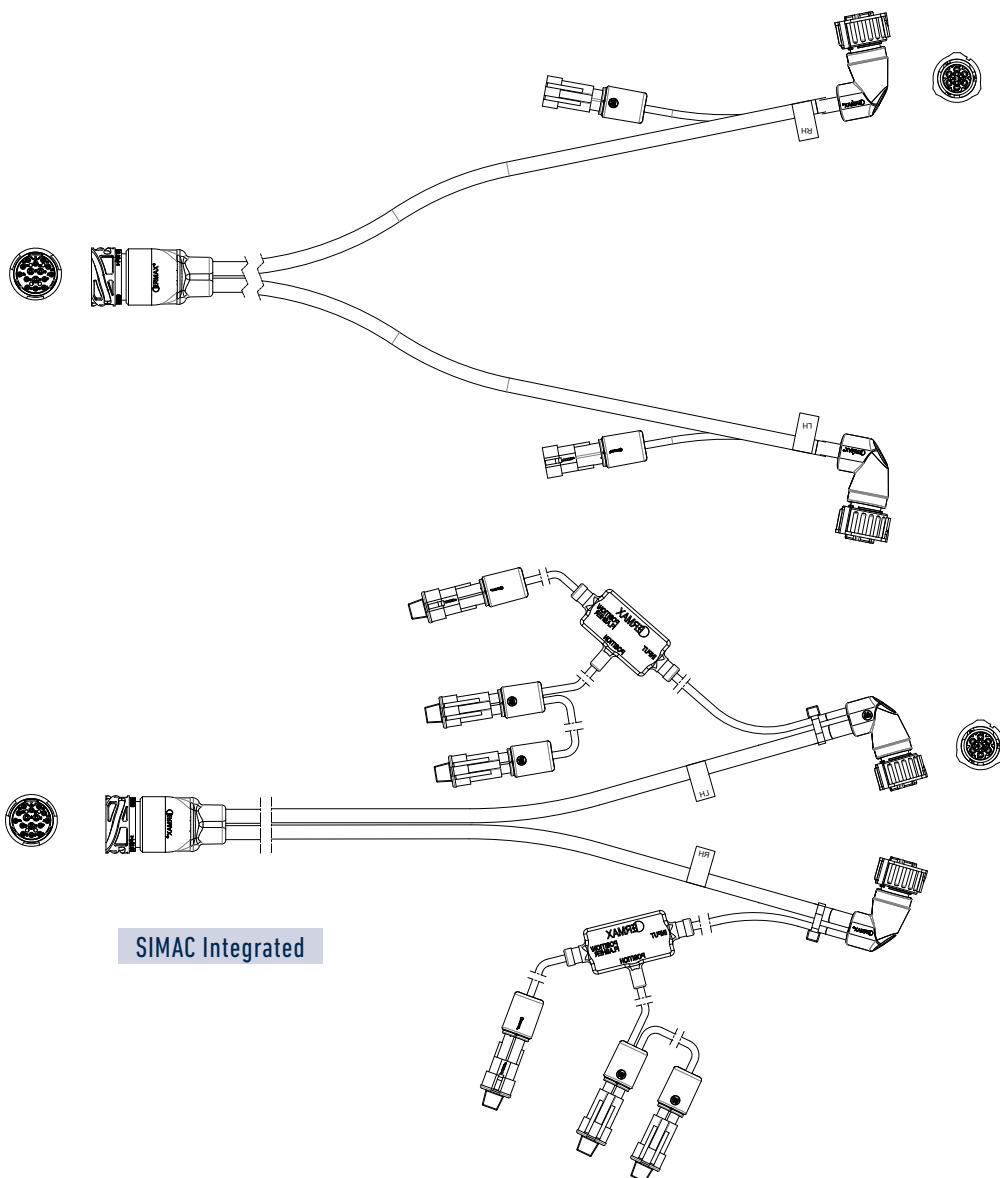
92.0000.1737

**494 025 601**

92.0000.1738

**494 025 651**

92.0000.7403



Rear cable



Application/ Description

Article No.

**Rear cable**

Ermac bayonet socket > 2xAMP 1.5 plug, straight

Cable type: FLRY Y / PVC

2x6 core 2.500 mm

Conductor cross-section: 6x1 mm<sup>2</sup>

**494 025 602**

92.0000.1739

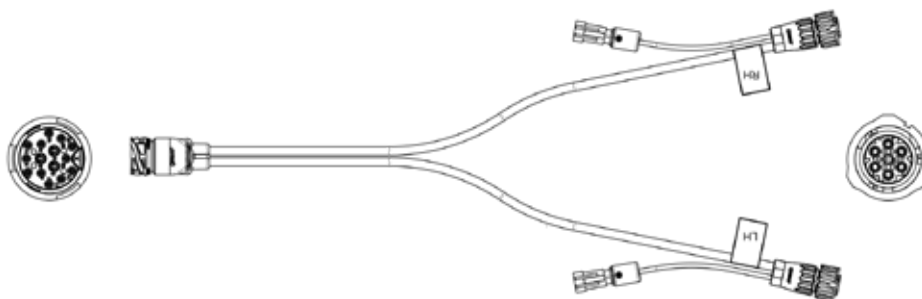
2x6 core 2.500 mm

With 2x2 poled outlet with Super Seal socket for side marker light

Conductor cross-section: 6x1 mm<sup>2</sup> / 2x1 mm<sup>2</sup>

**494 025 603**

92.0000.1740



**Rear cable, chain**

Ermac bayonet socket > 2x2 AMP 1.5 plug, angled

Conductor cross-section: 6x1 mm<sup>2</sup> / 2x1 mm<sup>2</sup>

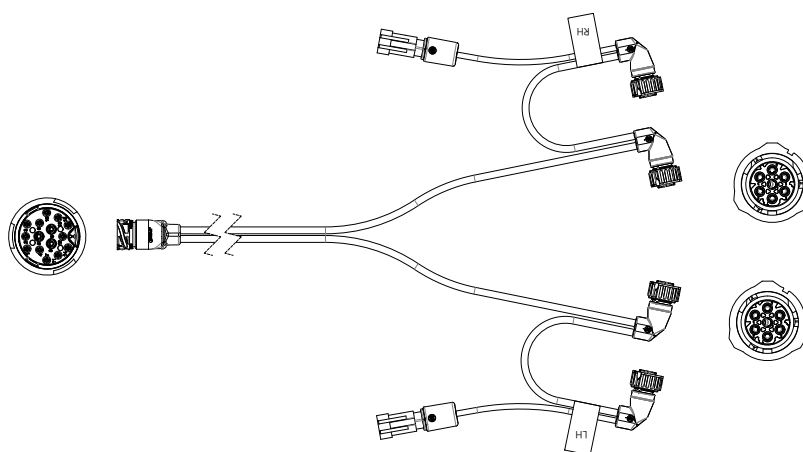
Cable type: FLRY Y / PVC

2x6 core 2.500 mm

With 2x2 poled outlet with Super Seal socket for side marker light

**494 025 604**

92.0000.1741



## Rear cable



Application/ Description

Article No.

**Rear cable**

Ermax bayonet socket &gt; 2x1 AMP 1.5 plug, angled

Conductor cross-section: 6x1 mm<sup>2</sup> / 2x0,5 mm<sup>2</sup>

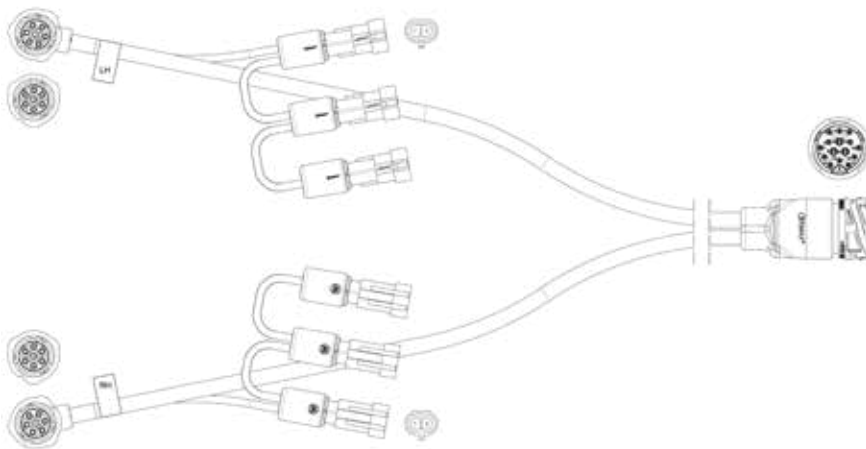
Cable type: FLRYY / PVC

**2x6 core 2.500 mm**

With 2x3 pcs 2-poled outlet with Super Seal socket for side marker light

**494 025 607**

92.0000.7710



## Rear cable

Application/ Description

Article No.

### Rear cable, chain

Ermac bayonet socket > 2x3 AMP 1.5 plug, angled

Conductor cross-section: 6x1 mm<sup>2</sup> / 2x1 mm<sup>2</sup>

Cable type: FLRYY / PVC

2x6 core 2.500 mm

With 2x2 poled outlet with Super Seal socket for side marker light

### SIMAC Integrated

2x6 core 2.500 mm

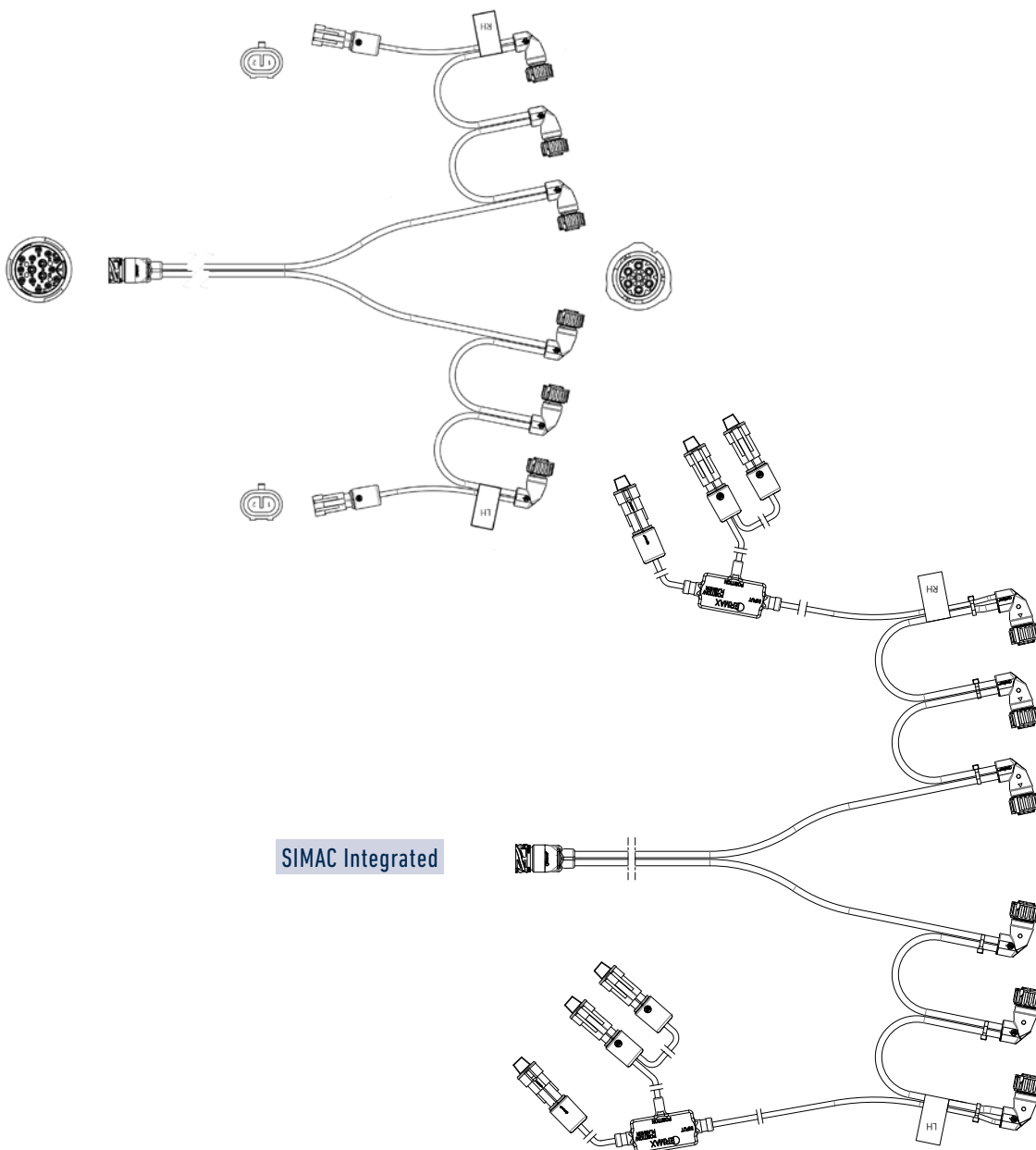
With SIMAC-Function integrated and 4x2 poled outlet for position light

**494 025 606**

92.0000.1016

**494 025 656**

92.0000.7404



## Rear cable



Application/ Description

Article No.

**Rear cable, chain**

Ermax bayonet socket &gt; 2x4 AMP 1.5 plug, angled

Conductor cross-section: 6x1 mm<sup>2</sup> / 2x1 mm<sup>2</sup>

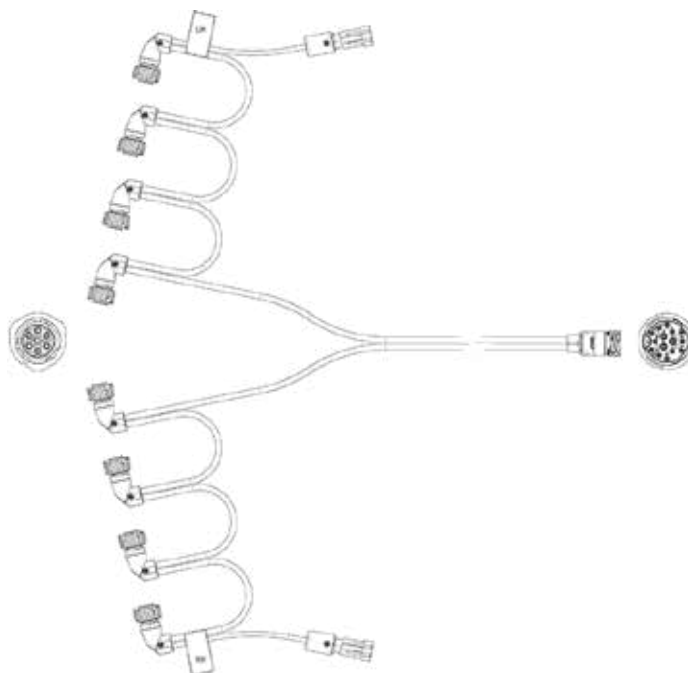
Cable type: FLRYY / PVC

**2x6 core 2.900 mm**

With 2x2 poled outlet with Super Seal socket for side marker light

**494 029 608**

92.0000.6340



Rear cable



Application/ Description

Article No.

**Rear cable, single**

AMP-1.5 plug, straight > AMP-1.5 plug, angled

Cable type: FLRY Y / PVC

For mounting in Ermax junction box

**6 core 1.500 mm**

Conductor cross-section: 6x1 mm<sup>2</sup>

**494 015 610**

92.0000.5386

**6 core 2.000 mm**

Conductor cross-section: 6x1 mm<sup>2</sup>

**494 020 610**

92.0000.0038

**6 core 2.000 mm**

With 2 poled outlet for side marker light

Conductor cross-section: 6x1 mm<sup>2</sup> / 2x1 mm<sup>2</sup>

**494 020 611**

92.0000.1735

**6 core 2.500 mm**

Conductor cross-section: 6x1 mm<sup>2</sup>

**494 025 610**

92.0000.5389

**6 core 2.000 mm**

With 2 poligem outlet for side marker light

Conductor cross-section: 6x1 mm<sup>2</sup> / 2x1 mm<sup>2</sup>

**494 025 611**

92.0000.5390

**6 core 3.000 mm**

Conductor cross-section: 6x1 mm<sup>2</sup>

**494 030 610**

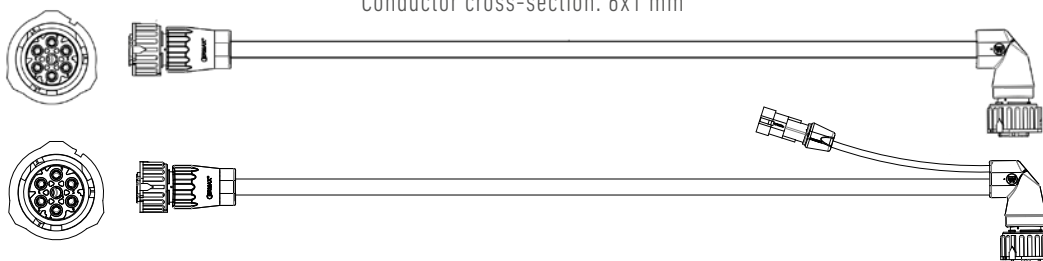
92.0000.1742

**6 core 5.000 mm**

Conductor cross-section: 6x1 mm<sup>2</sup>

**494 050 610**

92.0000.1744



**Rear cable, single**

AMP 1.5 plug, straight > AMP 1.5 plug, straight

Cable type: FLRY Y / PVC

**6 core 5.000 mm**

Conductor cross-section: 6x1 mm<sup>2</sup>

**494 050 612**

92.0000.1745

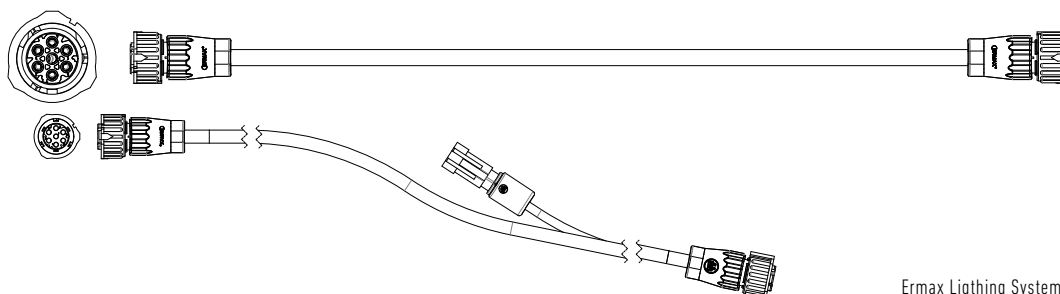
**6 core 2.500 mm**

With 2 poled outlet with "Super Seal" socket for side marker light

Conductor cross-section: 6x1 mm<sup>2</sup> / 2x1 mm<sup>2</sup>

**494 025 613**

92.0000.5391



## Rear cable



Application/ Description

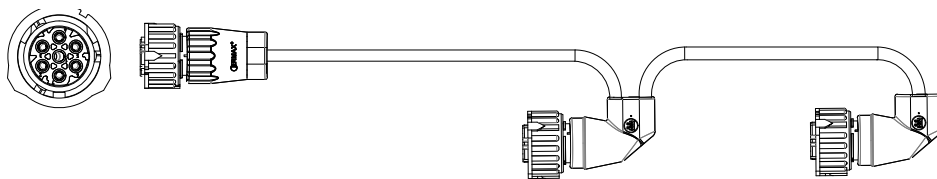
Article No.

**Rear cable, single, chain**

AMP 1,5-socket &gt; 2xAMP-1,5 plug, angled

Cable type: FLRY Y / PVC

For mounting in Ermax junction box

**6 core 2.100 mm**Conductor cross-section: 6x1 mm<sup>2</sup>**494 021 620**

92.0000.1736

**Rear cable, single, chain**

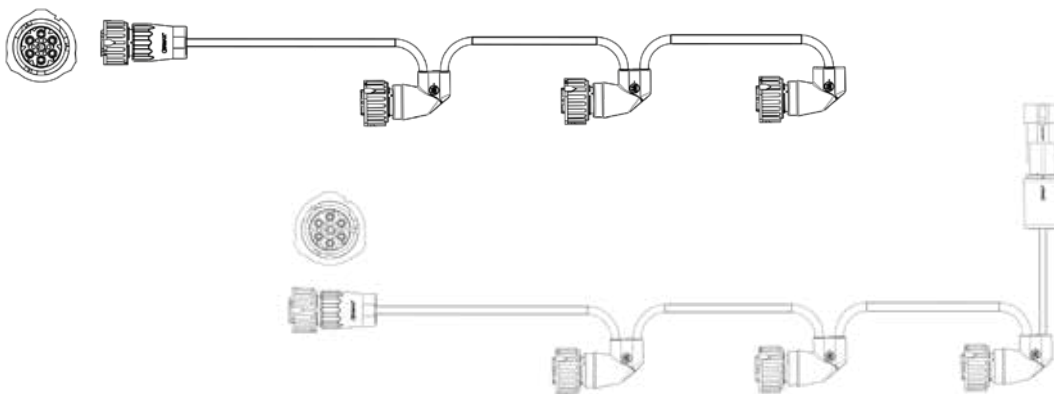
AMP 1,5 plug, straight &gt; 3xAMP-1,5 plug, angled

Cable type: FLRY Y / PVC

For mounting in Ermax junction box

**6 core 2.100 mm**Conductor cross-section: 6x1 mm<sup>2</sup>**6 core 2.100 mm**

With 2 poled outlet with Super Seal socket for side marker light

Conductor cross-section: 6x1 mm<sup>2</sup> / 2x0,5 mm<sup>2</sup>**494 021 630**

92.0000.1012

**494 021 631**

92.0000.7850



## Heckkabel



Anwendung / Beschreibung

Artikel-Nr.

**Rear cable, single, chain**

AMP 1,5-socket &gt; 4xAMP-1.5 plug, angled

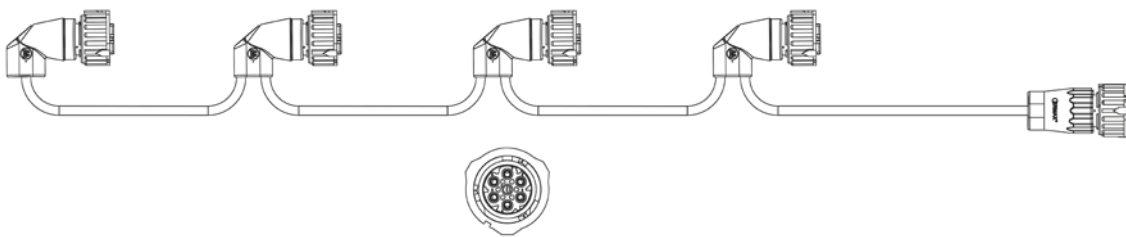
Cable type: FLRY / PVC

For mounting in Ermax junction box

6 core 3.000 mm

Conductor cross-section: 6x1 mm<sup>2</sup>**494 030 642**

92.0000.6039

**MARK:** No stop light in plug 2**Rear cable, single, chain**

Open end with blade receptacles 6,3 x 0.8 mm &gt; 3 x AMP 1.5 plug, angled.

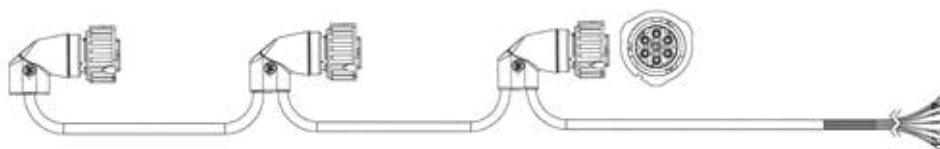
Distance between plugs: 400 mm

Cable type: FLRY / PVC

6 core 2.100 mm

Conductor cross-section: 6x1 mm<sup>2</sup>**494 021 657**

92.0000.5892



## Rear cable



### Application/ Description

### Article No.

#### Rear cable, single, Open end

Open end with blade receptacles 6,3x0,8 mm > AMP 1,5 plug, angled  
 Cable type: FLRYY / PVC  
 For mounting in junction box

**6 core 1.800 mm**

Conductor cross-section: 6x1 mm<sup>2</sup>

**494 015 651**

92.0000.5387

**6 core 1.800 mm**

Conductor cross-section: 6x1 mm<sup>2</sup>

**494 018 651**

92.0000.1731

**6 core 1.800 mm**

With 2 poled outlet with Super Seal socket for side marker light  
 Conductor cross-section: 6x1 mm<sup>2</sup> / 2x1 mm<sup>2</sup>

**494 018 652**

92.0000.1732

**6 core 3.000 mm**

Conductor cross-section: 6x1 mm<sup>2</sup>

**494 030 651**

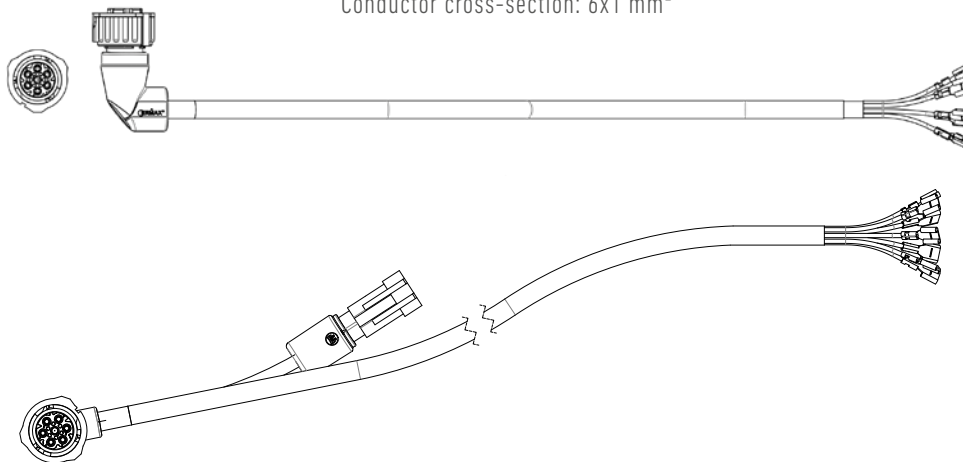
92.0000.5392

**6 core 5.500 mm**

Conductor cross-section: 6x1 mm<sup>2</sup>

**494 055 651**

92.0000.7148



#### Rear cable, single, Open end

Open end with blade receptacles 6,3x0,8 mm > AMP 1.5 plug, straight  
 Conductor cross-section: 6x1 mm<sup>2</sup>  
 For mounting in Junction box  
 Cable type: FLRYY / PVC

**6 core 1.500 mm**

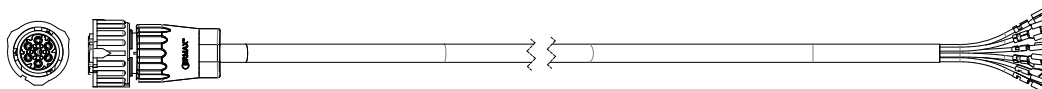
**494 015 653**

92.0000.1730

**6 core 3.000 mm**

**494 030 653**

92.0000.1743



**Rear cable**



Application/ Description

Article No.

**Rear cable, single, Open end (for 3 Functions light)**

Open end with blade receptacles 6,3x0,8 mm > AMP 1,5 plug, straight

Cable type: FLRY Y / PVC

**4 core 2.000 mm**

Conductor cross-section: 3x1 mm<sup>2</sup> + 1x2,5 mm<sup>2</sup>

**4 core 5.500 mm**

Conductor cross-section: 3x1 mm<sup>2</sup> + 1x2,5 mm<sup>2</sup>

**494 020 453**

92.0000.1734

**494 055 453**

92.0000.5723



**Rear cable**

AMP 1.5 socket > 2xAMP 1.5 plug

For connection with tail light right and left

Functions: Position-, stop- and dir. indicator light

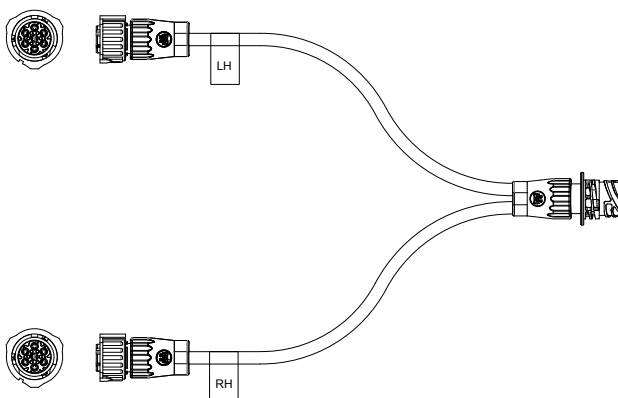
Cable type: FLRY Y / PVC

**2x4 core 1.500 mm**

Conductor cross-section: 3x1mm<sup>2</sup> + 1x2,5 mm<sup>2</sup>

**494 015 420**

92.0000.5362



## Rear cable / Y-adapter



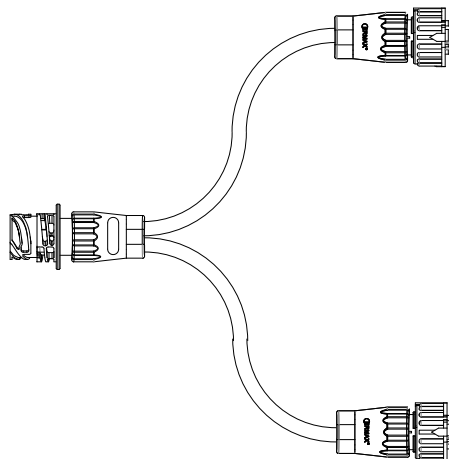
Application/ Description

Article No.

**Y-Adapter cable kabel**

1 x AMP 1.5 socket, straight &gt; 2 x AMP 1.5 plug, straight

Cable type: FLRY Y / PVC

**6 core 2 x 500 mm**Conductor cross-section:  $5 \times 1 \text{ mm}^2 + 1 \times 2,5 \text{ mm}^2$ **894 005 640**

92.0000.1778

**Y-Adapter cable**

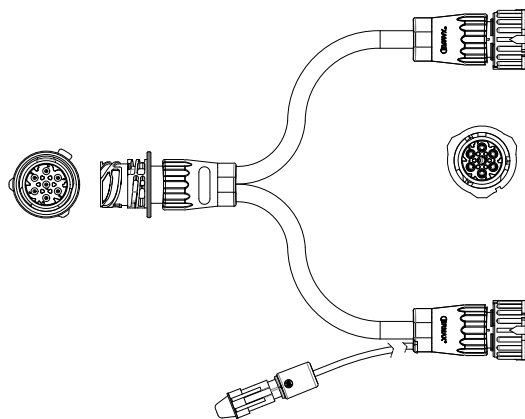
1 x AMP 1,5 plug + 2 x AMP 1,5 socket

Conductor cross-section:  $5 \times 1 \text{ mm}^2 + 1 \times 2,5 \text{ mm}^2 / 2 \times 1 \text{ mm}^2$ 

Cable type: FLRY Y / PVC

**6 core 2 x 300 mm**

with 1x2 core outlet (200 mm) with Super Seal socket for position-, or side marker light

**894 003 641**

92.0000.5727

## Cable for side marker



Application/ Description

Article No.

**Side cable, flat**

with Super Seal plug

Conductor cross-section: 2x1,5 mm<sup>2</sup>

Cable type: FLYYF

2.000 mm for Click-in System

**594 020 000**

92.0000.7387

4.000 mm for Click-In System

**594 040 000**

92.0000.5394

7.000 mm for Click-In System

**594 070 000**

92.0000.1746

9.000 mm for Click-In System

**594 090 000**

92.0000.0006

10.000 mm for Click-In System

**594 100 000**

92.0000.5395

13.000 mm for Click-In System

**594 130 000**

92.0000.0001

15.000 mm for Click-In System

**594 150 000**

92.0000.1002

17.000 mm for Click-In System

**594 170 000**

92.0000.1747

18.000 mm for Click-In System

**594 180 000**

92.0000.1748

19.000 mm for Click-In System

**594 190 000**

92.0000.1749

21.000 mm for Click-In System

**594 210 000**

92.0000.5396



Cable for side marker



Application/ Description

Article No.

**Side cable, chain**

Suitable as extension cable for side cable chains

1 x inlet with Super Seal socket + 2 x outlet with Super Seal plug

Conductor cross-section: 2x0,5 mm<sup>2</sup>

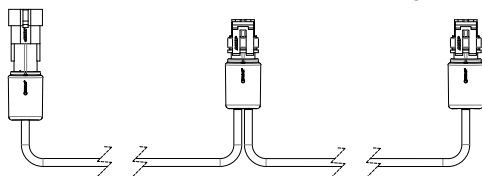
Cable type: FLRYY / PVC

**3.900 mm**

distance between socket/Plug: 1x200 mm + 1x3700 mm

**5200 mm**

distance between socket/Plug: 1 x 200mm + 1 x 5000 mm



**694 039 201**

92.0000.1752

**694 052 201**

92.0000.6094

**Side cable, chain**

1 x inlet + 2 x outlet with Super Seal plug

Conductor cross-section: 2x0,5 mm<sup>2</sup>

Cable type: FLRYY / PVC

**3.000 mm**

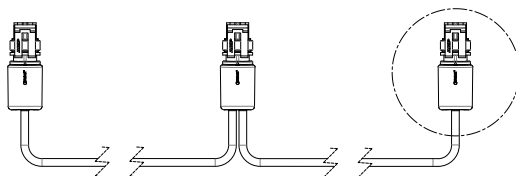
dDistance between plugs: 1x1700 mm + 1x1300 mm

**4.200 mm**

distance between plugs: 1x1200 mm + 1x3000 mm.

**5.300 mm**

distance between plugs: 1x300 mm + 1x5000 mm.



**694 030 200**

92.0000.5399

**694 042 200**

92.0000.6046

**694 053 200**

92.0000.6074

**Side cable, chain**

1 x inlet Open end with blade receptacles 6,3x0,8 mm > + 3 x outlet with Super Seal plug

Conductor cross-section: 2x0,5 mm<sup>2</sup>

Cable type: FLRYY / PVC

**600 mm**

Distance between Open end and plug: 250 mm +200 mm + 200 mm



**694 006 350**

92.0000.1750

## Cable for side marker



## Application/ Description

## Article No.

**Side cable, chain**

1 x inlet + 3 x outlet with Super Seal plug

Conductor cross-section: 2x0,5 mm<sup>2</sup>

Cable type: FLRY / PVC

**2.500 mm**

distance between plugs: 500 mm + 1500 mm + 500 mm

**694 025 300**

92.0000.5398

**3.200 mm**

distance between plugs: 500 mm + 1700 mm + 1000 mm

**694 032 300**

92.0000.5924

**4.000 mm**

distance between plugs: 1000 mm + 2000 mm + 1000 mm

**694 040 300**

92.0000.5400

**8.000 mm**

distance between plugs: 2000 mm + 2000 mm + 4000 mm

**694 080 300**

92.0000.5402

**9.400 mm**

distance between plugs: 2000 mm + 3700 mm + 3700 mm

**694 094 300**

92.0000.6636

**11.500 mm**

Abstand zwischen Steckern: 1500 mm + 5000 mm + 5000 mm

**694 115 300**

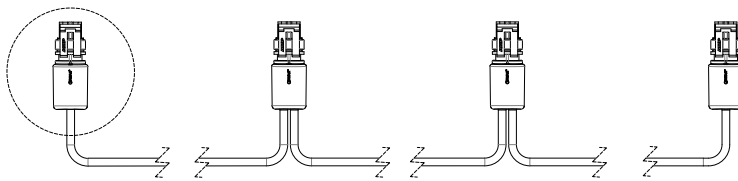
92.0000.6544

**13.500 mm**

distance between plugs: 4100 mm + 3900 mm + 5500 mm

**694 135 300**

92.0000.7060



## Cable for side marker



Application/ Description

Article No.

### Side cable, chain

1 x inlet and 4 x outlet with Super Seal plug  
 Conductor cross-section: 2x0,5 mm<sup>2</sup>  
 Cable type: FLRY / PVC.

#### 800 mm

distance between plugs: 200 mm

#### 11.700 mm

distance between plugs: 1200 mm + 500 mm + 5000 mm + 5000 mm

#### 12.400 mm

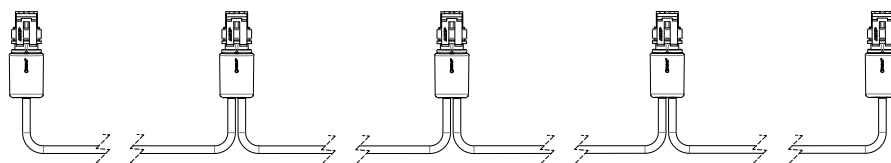
distance between plugs: 3200 mm + 2800 mm + 3200 mm + 3200 mm

#### 17.500 mm

distance between plugs: 7000 mm - 3500 mm - 3500 mm - 3500 mm

#### 19.500 mm

distance between plugs: 9000 mm - 3500 mm - 3500 mm - 3500 mm



**694 008 400**

92.0000.1751

**694 117 400**

92.0000.6079

**694 124 400**

92.0000.6079

**694 175 400**

92.0000.6637

**694 195 400**

92.0000.5799

### Side cable, chain

1 x inlet + 5 x outlet with Super Seal plug  
 Conductor cross-section: 2x0,5 mm<sup>2</sup>  
 Cable type: FLRY / PVC

#### 15.100 mm

distance between plugs: 2x3200 mm + 2x4000 mm 1x700 mm

#### 18.200 mm

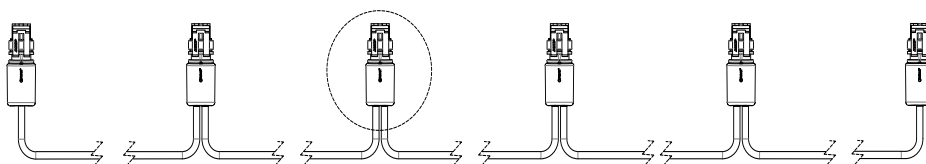
distance between plugs: 1x4200 mm + 1x4150 mm + 1x4100 mm + 1x5000 mm + 1x750 mm mm

#### 22.500 mm

distance between plugs: 1x9000 mm + 3x3500 mm + 1x3000 mm

#### 23.100 mm

distance between plugs: 1x6600 mm + 1x6100 mm + 1x5400 mm + 1x4500 mm + 1x500 mm



**694 151 500**

92.0000.5925

**694 182 500**

92.0000.6638

**694 225 500**

92.0000.6581

**694 231 500**

92.0000.6581



## Cable for side marker



## Application/ Description

Article No.

**Side cable, chain**

1 x inlet + 6 x outlet with Super Seal plug

Conductor cross-section: 2x0,5 mm<sup>2</sup>

Cable type: FLRYY / PVC

**11.500 mm**

distance between plugs: 1x1500 mm + 2x2400 mm

1x2500 mm, 1x1700 mm, 1x1000 mm

**16.200 mm**

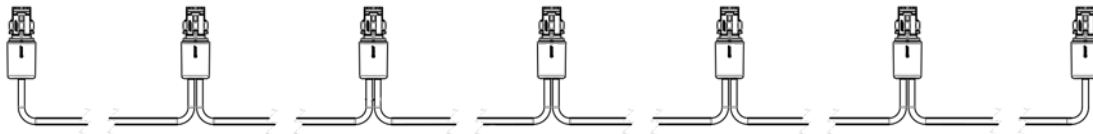
distance between plugs: 1x1200 mm + 5x3000 mm

**17.500 mm**

distance between plugs: 2x1500 mm + 1x4000 mm + 3x 3500 mm

**20.500 mm**

distance between plugs: 1x2000 mm + 5x3700 mm

**694 115 600**

92.0000.6987

**694 162 600**

92.0000.0026

**694 175 600**

92.0000.6580

**694 205 600**

92.0000.0039

**Side cable, chain**

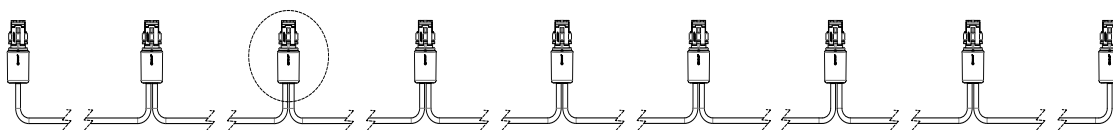
1 x inlet + 8 x outlet with Super Seal plug

Conductor cross-section: 2x0,5 mm<sup>2</sup>

Cable type: FLRYY / PVC

**31.500 mm**

distance between plugs: 1x7500 mm + 6x3500 mm + 1x3000 mm

**694 315 800**

92.0000.6623

## Extension cable



Application/ Description

Article No.

### Extension cable, 2 core

Super Seal socket > Super Seal plug

Conductor cross-section: 2x1 mm<sup>2</sup>

Cable type: FLRYY / PVC

1.000 mm

**794 010 200**

92.0000.0005

1.500 mm

**794 015 200**

92.0000.0040

2.000 mm

**794 020 200**

92.0000.7799

3.000 mm

**794 030 200**

92.0000.0024

4.000 mm

**794 040 200**

92.0000.0024

5.000 mm

**794 050 200**

92.0000.0022

6.000 mm

**794 060 200**

92.0000.5407

15.000 mm

**794 150 200**

92.0000.6704



## Extension cable



Application/ Description

Article No.

**Extension cable, 2 core**

Super Seal plug &gt; Super Seal plug

Conductor cross-section: 2x1 mm<sup>2</sup>

Cable type: FLRY / PVC

200 mm

**794 002 230**

92.0000.5364

500 mm

**794 005 230**

92.0000.5365

1.000 mm

**794 010 230**

92.0000.1758

1.500 mm

**794 015 230**

92.0000.1763

2.000 mm

**794 020 230**

92.0000.5405

2.500 mm

**794 025 230**

92.0000.5406

3.000 mm

**794 030 230**

92.0000.1769

5.000 mm

**794 050 230**

92.0000.1774

6.000 mm

**794 060 230**

92.0000.1774

7.500 mm

**794 075 230**

92.0000.5408

10.000 mm

**794 100 230**

92.0000.5410

11.500 mm

**794 115 230**

92.0000.5412

15.000 mm

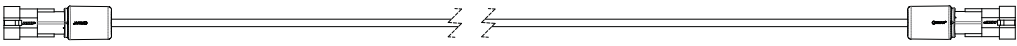

**794 150 230**

92.0000.5413



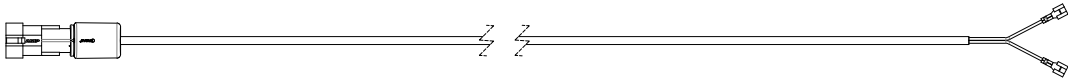
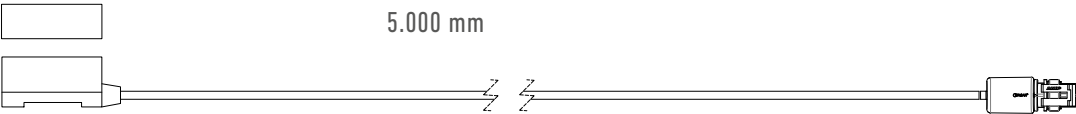
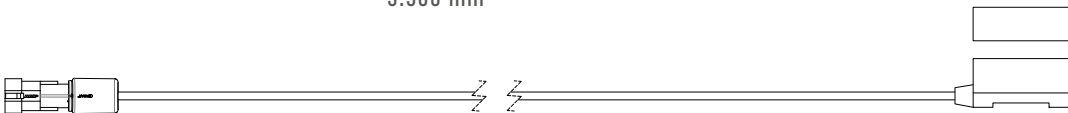
## Extension cable



Application/ Description	Article No.
<p><b>Extension cable, 2 core</b>                      Super Seal socket &gt; Super Seal socket                      Conductor cross-section: 2x1 mm<sup>2</sup>                      Cable type: FLRY / PVC</p> <p><b>1.500 mm</b></p> 	<p><b>794 015 240</b>                      92.0000.5404</p>
<p><b>Extension cable, 2 core</b>                      Super Seal plug &gt; Open end with blade receptacles                      6,3 x 0,8 mm                      Conductor cross-section: 2x1 mm<sup>2</sup>                      Cable type: FLRY / PVC</p> <p><b>500 mm</b></p> <p><b>1.000 mm</b></p> <p><b>1.500 mm</b></p> <p><b>2.000 mm</b></p> <p><b>2.500 mm</b></p> <p><b>4.000 mm</b></p> <p><b>6.000 mm</b></p> <p><b>8.000 mm</b></p> <p><b>10.500 mm</b></p> <p><b>12.000 mm</b></p> 	<p><b>794 005 251</b>                      92.0000.1754</p> <p><b>794 010 251</b>                      92.0000.1759</p> <p><b>794 015 251</b>                      92.0000.1764</p> <p><b>794 020 251</b>                      92.0000.1767</p> <p><b>794 025 251</b>                      92.0000.9240</p> <p><b>794 040 251</b>                      92.0000.1773</p> <p><b>794 060 251</b>                      92.0000.1775</p> <p><b>794 080 251</b>                      92.0000.1776</p> <p><b>794 105 251</b>                      92.0000.5411</p> <p><b>794 120 251</b>                      92.0000.9241</p>

**Extension cable**



Application/ Description	Article No.
<p><b>Extension cable, 2 core</b>                      Click-In adapter &gt; Super Seal plug                      Conductor cross-section: 2x1 mm<sup>2</sup>                      Cable type: FLRYY / PVC</p> <p>500 mm                      1.000 mm                      1.500 mm                      4.000 mm</p> 	<p><b>794 005 261</b>                      92.0000.1755</p> <p><b>794 010 261</b>                      92.0000.5403</p> <p><b>794 015 261</b>                      92.0000.1765</p> <p><b>794 040 261</b>                      92.0000.6351</p>
<p><b>Extension cable, 2 core</b>                      Super Seal socket &gt; Open end with blade receptacles 6,3 x 0,8 mm                      Conductor cross-section: 2x1 mm<sup>2</sup>                      Cable type: FLRYY / PVC</p> <p>500 mm                      1.500 mm                      2.500 mm                      3.500 mm                      5.000 mm</p> 	<p><b>794 005 220</b>                      92.0000.1753</p> <p><b>794 015 220</b>                      92.0000.1762</p> <p><b>794 025 220</b>                      92.0000.6514</p> <p><b>794 035 220</b>                      92.0000.1770</p> <p><b>794 050 220</b>                      92.0000.6515.</p>
<p><b>Extension cable, 2 core</b>                      Click-In adapter &gt; Super Seal socket                      Conductor cross-section: 2x1 mm<sup>2</sup>                      Cable type: FLRYY / PVC</p> <p>500 mm                      1.500 mm                      3.500 mm</p> 	<p><b>794 005 270</b>                      92.0000.1756</p> <p><b>794 015 270</b>                      92.0000.1766</p> <p><b>794 035 270</b>                      92.0000.1771</p>

## Extension cable



Application/ Description

Article No.

### Extension cable 2 core DT2, 1500 mm

2-pin Deutsch connector (DT) plug > Open End

Conductor cross section: 2x1 mm<sup>2</sup>

Cable type: FLRY / PVC

1.500 mm

**794 015 255**  
92.0000.8292

2.500 mm

**794 025 255**  
92.0000.8240



### Extension cable 2 core

Conductor cross section: 2 x 1 mm<sup>2</sup>

Type: FLRY / PVC

2000 mm

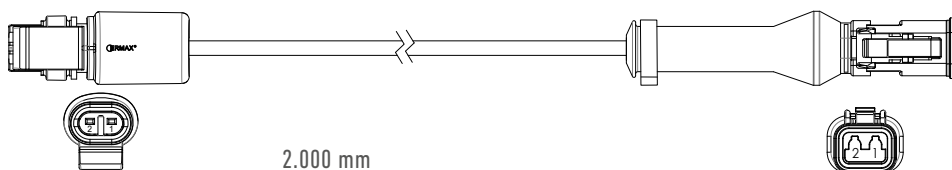
Super Seal plug > DT plug

Connection:

Super Seal plug pin 1 > DT plug pin 2

Super Seal plug pin 2 > DT plug pin 1

**794 020 210**  
92.0000.9319



2.000 mm

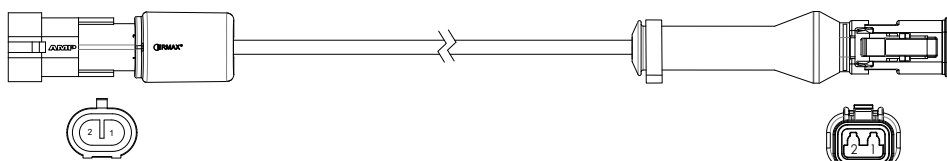
Super Seal plug > DT plug

Connection:

Super Seal plug pin 1 > DT plug pin 2

Super Seal plug pin 2 > DT plug pin 1

**794 020 215**  
92.0000.9320



## Extension cable



Application/ Description

Article No.

### Extension cable, 6 core

AMP 1.5 socket, straight > AMP 1.5 plug, straight  
 Conductor cross-section: 5x1mm<sup>2</sup>+1x2,5mm<sup>2</sup>  
 Cable type: FLRYY / PVC

6 core 3.500 mm

**794 035 600**  
 92.0000.7266

6 core 5.000 mm

**794 050 600**  
 92.0000.6476

6 core 6.000 mm

**794 060 600**  
 92.0000.7362

6 core 12.500 mm

**794 125 600**  
 92.0000.5366



### Extension cable, 7 core

Conductor cross-section: 6x1 mm<sup>2</sup> + 1x2,5 mm<sup>2</sup>  
 Cable type: FLRYY / PVC

1.000 mm

AMP 1.5 socket, straight > AMP 1.5 plug, straight

**794 010 700**  
 92.0000.1760

1.000 mm

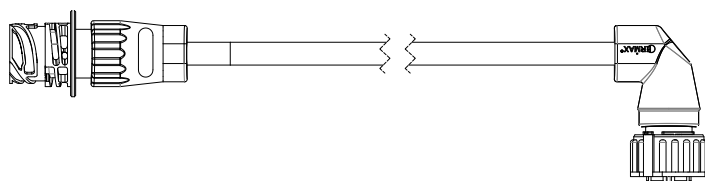
AMP 1.5 socket, > AMP 1.5 plug angled

**794 010 701**  
 92.0000.1761

2.000 mm

AMP 1.5 socket, straight > AMP 1.5 plug, straight

**794 020 700**  
 92.0000.1768



## Extension cable



Application/ Description

Article No.

**Extension cable, 7 core**Conductor cross-section:  $6 \times 1 \text{ mm}^2 + 1 \times 2,5 \text{ mm}^2$ 

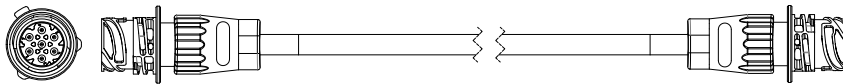
Cable type: FLRYY / PVC

**300 mm**

AMP 1,5 socket, straight &gt; AMP 1,5 socket, straight

**794 003 740**

92.0000.6303





## Y-Adapter cable



Application/ Description

Article No.

**Y-Adapter cable, 2 core**Conductor cross-section: 2x1 mm<sup>2</sup>

Cable type: FLRY Y / PVC

**2 x 500 mm**

1 x Super Seal socket + 2 x Super Seal plug

**894 005 200**

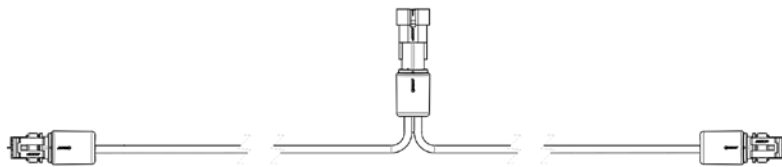
92.0000.0027

**2 x 1.000 mm**

1 x Super Seal socket + 2 x Super Seal plug

**894 010 200**

92.0000.1779

**Y-Adapter cable, 2 core**Conductor cross-section: 2x1 mm<sup>2</sup>

Cable type: FLRY Y / PVC / PVC

**2 x 500 mm**

3 x Super Seal plug

**894 005 230**

92.0000.1777

**2 x 2000 mm**

3 x Super Seal plug

**894 020 230**

92.0000.6988

**2 x 3000 mm**

3 x Super Seal plug

**894 030 230**

92.0000.6989

**2 x 4000 mm**

3 x Super Seal plug

**894 040 230**

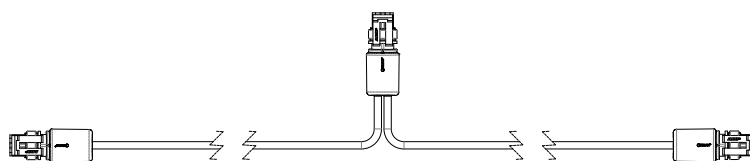
92.0000.5414

**2 x 6000 mm**

3 x Super Seal plug

**894 060 230**

92.0000.6348

**Y-Adapter cable, 2 core**Conductor cross-section: 2x1 mm<sup>2</sup>

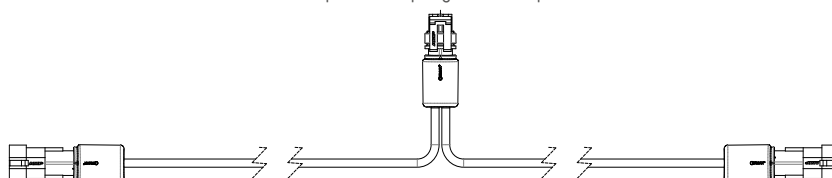
Cable type: FLRY Y / PVC

**2 x 500 mm Super Seal socket**

1 x Super Seal plug + 2 x Super Seal socket

**894 005 240**

92.0000.5367



## Y-Adapterkabel



Application/ Description

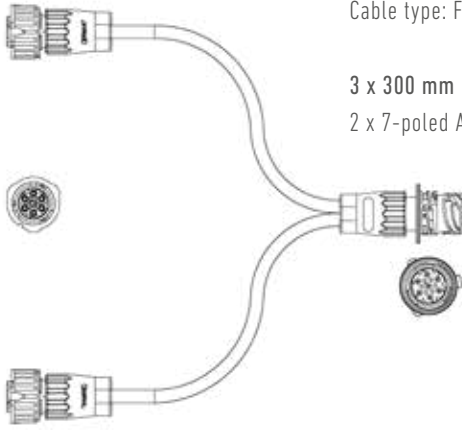
Article No.

**Y-Adapter cable, 7 corer**Conductor cross-section:  $7 \times 1 \text{ mm}^2$ 

Cable type: FLRYY / PVC

3 x 300 mm

2 x 7-poled AMP plug &gt; 1 x 7-poled AMP 1,5 socket

**894 003 740**

92.0000.8131

**Y-Adapter cable, 7 corer**Conductor cross-section:  $5 \times 1 \text{ mm}^2 + 1 \times 2,5 \text{ mm}^2$ 

Cable type: FLRYY / PVC

2 x 500 mm

2 x 7-poled AMP plug &gt; 1 x 7-poled AMP 1,5 socket

**894 005 640**

92.0000.1778

**Y-Adapter cable, 6 corer**

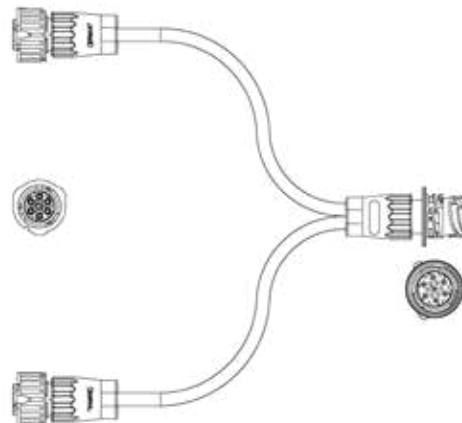
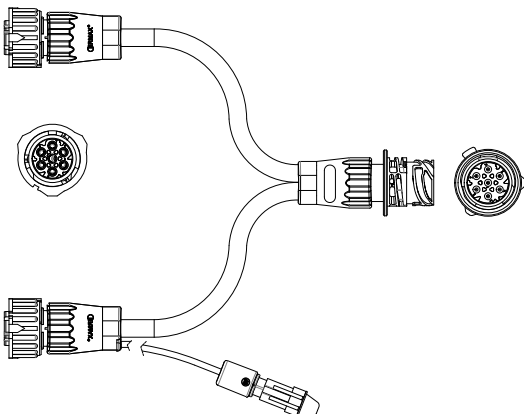
For connection of one extra tail lamp.

Conductor cross section:  $5 \times 1 \text{ mm}^2 + 1 \times 2,5 \text{ mm}^2 / 2 \times 1 \text{ mm}^2$ 

Cable type: FLRYY./PVC

2 x 300 mm

1 x AMP 1,5 Plug, straight + 2 x AMP 1,5 socket, straight with 1x2 core outlet (200 mm) with Super Seal socket for position- or side marker light

**894 003 641**

92.0000.5727

### Adapter cable



Adapter cable for Ermax tail lights  
Cable type: FLRY / PVC

Connection	Cable length	Conductor cross-section		Pos	Article No.
Aspöck ASS2 7 poled socket > 7 poled AMP 1.5 bayonet plug, angled	200 mm	5x1 mm <sup>2</sup> + 1x2,5 mm <sup>2</sup>	Left	1	<b>994 002 062</b> 92.0000.6289
Aspöck ASS2 7 poled socket > 7 poled AMP 1.5 bayonet plug, angled	200 mm	5x1 mm <sup>2</sup> + 1x2,5 mm <sup>2</sup>	Right	1	<b>994 002 063</b> 92.0000.6290
Hella 7 poled plug > 7 poled AMP 1.5 bayonet plug	300 mm	6x1 mm <sup>2</sup>	Left / Right	2	<b>994 003 064</b> 92.0000.7678
Hella 15 poled plug > Ermax 15 poled bayonet plug	200 mm	12x1 mm <sup>2</sup> + 3x2,5 mm <sup>2</sup>	---	3	<b>994 002 151</b> 92.0000.7677
Aspöck ASS3 17 poled plug > Ermax 15 poled bayonet plug	200 mm	12x1 mm <sup>2</sup> + 3x2,5 mm <sup>2</sup>	---	4	<b>994 002 150</b> 92.0000.6721

## Coil cable



Application/ Description

Article No.

**Coil cable**

Open end &gt; Open end

Outer diameter: Ø 28 mm

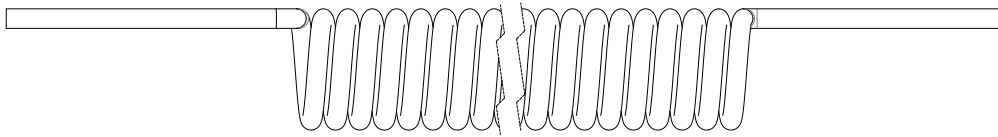
Number of coils: 64

Cable type: PUR

Conductor cross-section: 3x1mm<sup>2</sup>

3.000 mm

3 core

**994 030 390**

92.0000.5369

**Coil cable**

AMP 1.5 plug &gt; socket

Outer diameter: Ø 35 mm

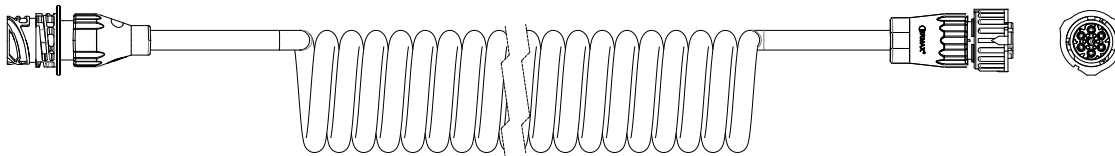
Number of coils: 52

Cable type: PUR

Conductor cross-section: 6x1mm<sup>2</sup>+1x2,5mm<sup>2</sup>

3.500 mm

7 core

**994 035 700**

92.0000.1784

## Coil cable

## Application/ Description

## Article No.

**Coil cable**

Open end &gt; Open end

Conductor cross-section:  $7 \times 1 \text{mm}^2 + 2 \times 2,5 \text{mm}^2$ 

Number of coils: 26

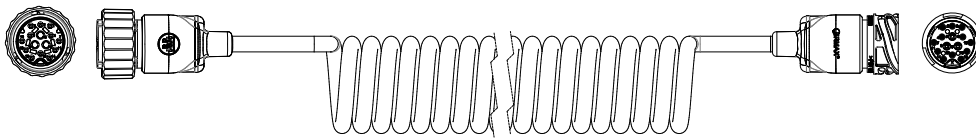
Inside diameter:  $\varnothing 50 \text{ mm}$ 

3.500 mm

9 core

**994 035 990**

92.0000.1787

**Coil cable**

Ermax bayonet plug &gt; socket

Conductor cross-section:  $12 \times 1 \text{mm}^2 + 3 \times 2,5 \text{mm}^2$ 

Number of coils: 23

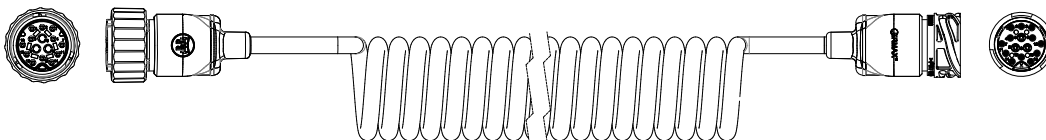
Inside diameter:  $\varnothing 65 \text{ mm}$ 

4.000 mm

15 core

**994 040 151**

92.0000.1790

**Coil cable**

15-poled AMP plug ARD approved

Conductor cross-section:  $12 \times 1 \text{mm}^2 + 3 \times 2,5 \text{mm}^2$ Outer diameter:  $\varnothing 66 \text{ mm}$ 

4.000 mm

15 core

**994 165 813**

92.0000.7312



## Coil cable



Application/ Description

Article No.

**Coil cable ABS**

with socket ISO 7638-1

Conductor cross-section:  $2 \times 4 \text{ mm}^2 + 3 \times 1,5 \text{ mm}^2$ 

5-poled

Inside diameter:  $\varnothing 22 \text{ mm}$ Outer diameter:  $\varnothing 48 \text{ mm}$ 

4.000 mm

5 core

**090 195 440**

92.0000.7564

**Coil cable**

7 poled ESB with socket, ISO 7638-1

Conductor cross-section:  $2 \times 1,5 \text{ mm}^2 + 2 \times 4,0 \text{ mm}^2 + 3 \times 1,5 \text{ mm}^2$ Inside diameter:  $\varnothing 22 \text{ mm}$ Outer diameter:  $\varnothing 48 \text{ mm}$ 

3.500 mm

7 core

**090 195 835**

92.0000.6953

**Coil cable**

7 poled ESB with socket, ISO 7638-1

Conductor cross-section:  $2 \times 1,5 \text{ mm}^2 + 2 \times 4,0 \text{ mm}^2 + 3 \times 1,5 \text{ mm}^2$ Inside diameter:  $\varnothing 22 \text{ mm}$ Outer diameter:  $\varnothing 48 \text{ mm}$ 

4000 mm

7 core

**090 195 840**

92.0000.7565

# WIDE LOAD MARKER SIGNS

---



## WIDE LOAD MARKER SIGN - Complete Kit-Set

### Standardised Security

Ermax have 2 Series of wide load marker sign kits making it possible to deliver standardised solutions covering almost every need. One Proff series and one ADR series.

The wide load marker signs – built of standard parts from the Ermax programme – are easy to mount and connect, and secure a simple operation and operational reliability in the daily work.

Both series are built up with a electro galvanized holder and a square pipe for fastening at the vehicle. The wide load marker sign has 3 flexible outer end marker lights mounted with red, white and orange light. The lights are made of rubber and the LED light module is made of impact resistant polycarbonate which resists a tough environment and handling in the daily work.

The Proff series has a pipe piece (ISO 72591) for mounting and connecting of the warning light. The connection to the wide load marker signs are made by means of a 7-poled ISO 1724 socket. Thus, a standard coil cable ISO 1724 (e.g. Ermax article number 090 180 165) can be used for connection at the vehicle. It is a commercially available cable and not a special cable, which means that defective or approaching cables can be replaced quickly = shorter service life in case of defects.

The ADR series is connected by means of a Super Seal plug, and the series is thus ADR approved in its basis configuration. Only the mounting of the warning light – due to the open plugs in the appurtenant connecting pipe – cannot be ADR approved.

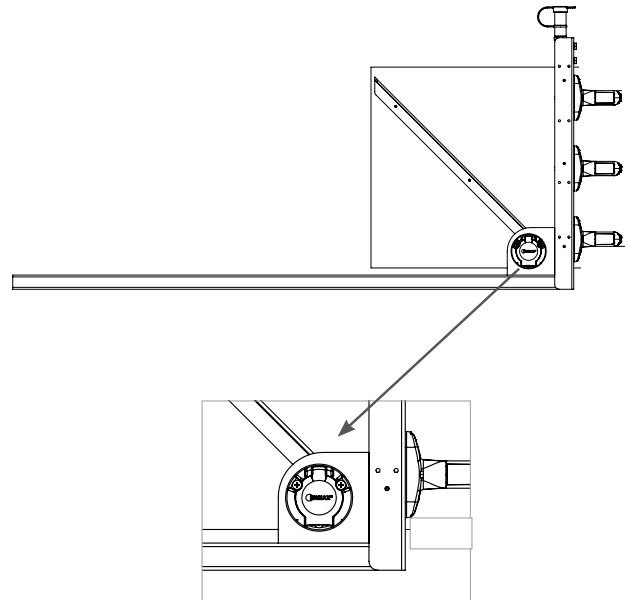
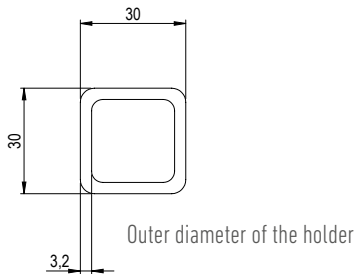
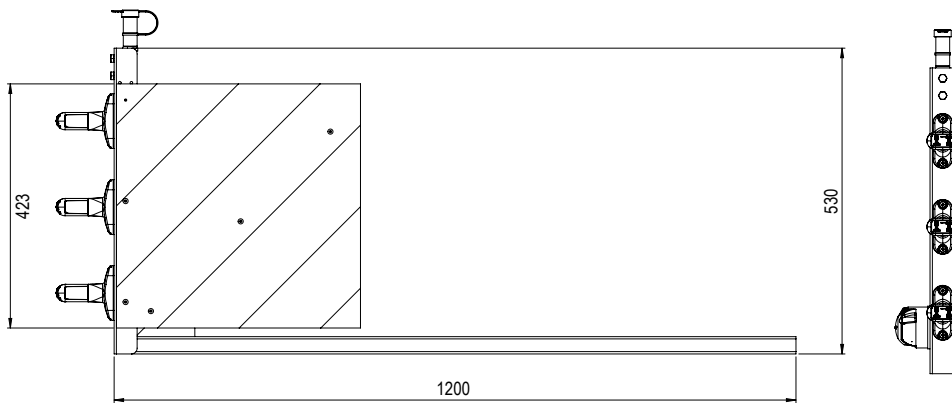
For this series a coil cable (e.g. article number 994 030 300) can be used, which is connected to a corresponding Super Seal connection at the vehicle, which opens the possibility for mounting of further lights.





Wide load marker signs - Proff Series

- with 7 poled ISO 1724 connection or 3 poled connection

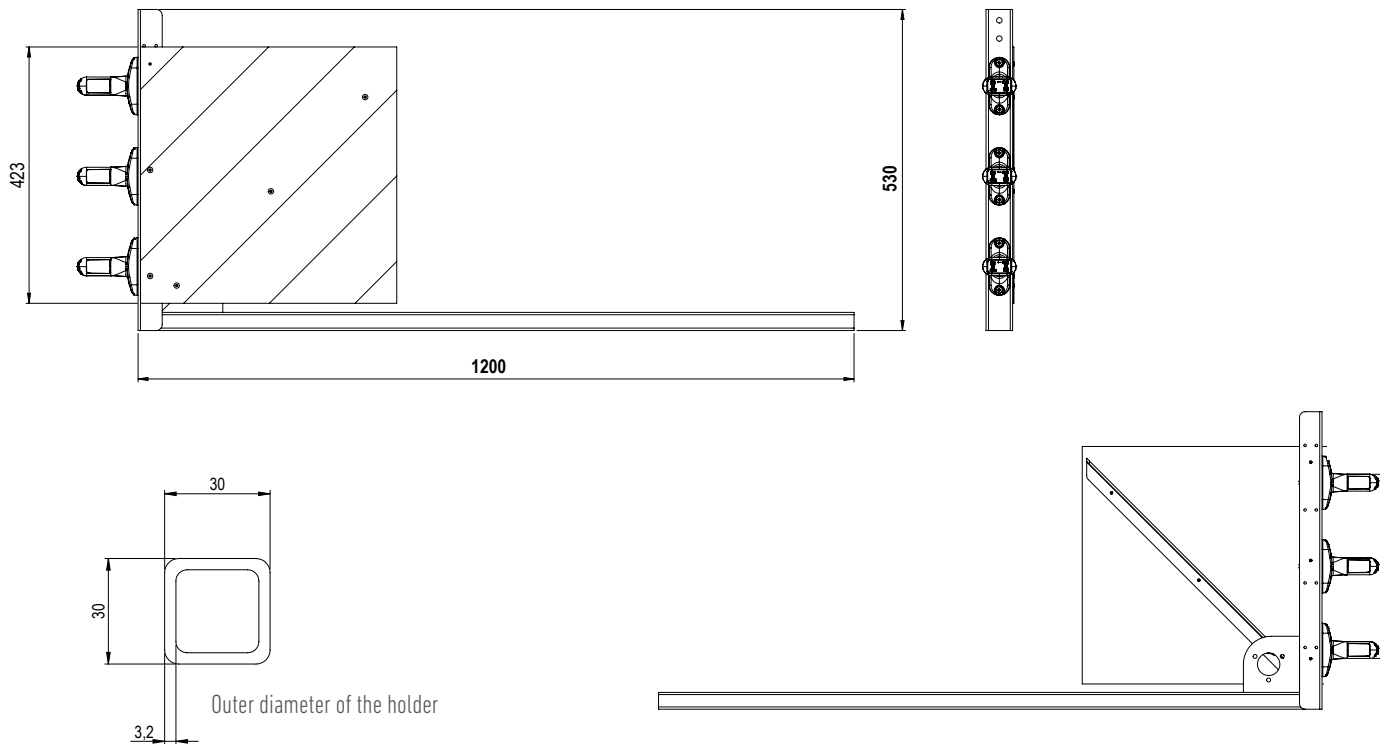


Wide load marker sign mounted with

- Warning sign board 423 x 423 mm
- 3 pcs outer end marker lights
- Mounting bracket for warning beacons
- Plug connection through ISO1724 socket

Placement	Dimension (L x B)	Material	Connection	Article No.	Connection	Article No.
Rear - left	1.200 x 530 mm	Hot-galvanized	7 poled socket ISO 1724	<b>098 269 800</b> 92.0000.7608	3 poled socket	<b>098 269 801</b>
Rear - right	1.200 x 530 mm	Hot-galvanized	7 poled socket ISO 1724	<b>098 269 805</b> 92.0000.7609	3 poled socket	<b>098 269 806</b>
Front - left	1.200 x 530 mm	Hot-galvanized	7 poled socket ISO 1724	<b>098 269 810</b> 92.0000.7610	3 poled socket	<b>098 269 811</b>
Front - right	1.200 x 530 mm	Hot-galvanized	7 poled socket ISO 1724	<b>098 269 815</b> 92.0000.7611	3 poled socket	<b>098 269 816</b>
<b>Complete set</b> consisting of the above 4 Wide load marker signs				<b>098 269 820</b> 92.0000.7612		<b>098 269 821</b>

## Wide load marker signs - ADR Series



Wide load marker sign mounted with

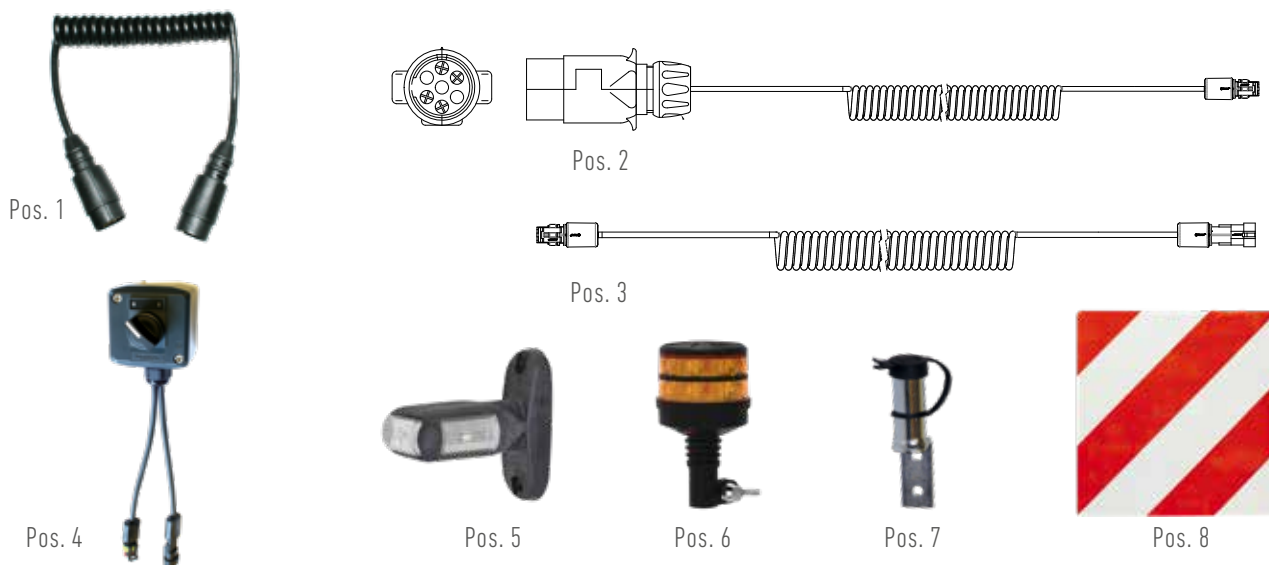
- Warning sign board 423 x 423 mm
- 3 pcs outer end marker lights
- Connection with Super Seal socket

Placement	Dimension (L x B)	Material	Connection	Article No.
Rear - left	1.200 x 530 mm	Hot-galvanized	Super Seal socket	<b>098 269 830</b> 92.0000.7613
Rear - right	1.200 x 530 mm	Hot-galvanized	Super Seal socket	<b>098 269 835</b> 92.0000.7614
Front - left	1.200 x 530 mm	Hot-galvanized	Super Seal socket	<b>098 269 840</b> 92.0000.7615
Front - right	1.200 x 530 mm	Hot-galvanized	Super Seal socket	<b>098 269 845</b> 92.0000.7616

**Complete kit** of 4 Wide load marker signs consisting of 098 269 830 + 835 + 840 + 845

**098 269 850**  
92.0000.7617

### Wide load marker signs - Spare parts (S) & Accessories (A)



Proff Series	S / A	Pos.	
Coil cable 2x7 poled 1.500 mm - with ISO 1724 plug > ISO 1724 plug	A	1	<b>090 180 165</b> 92.0000.7731
Coil cable 3 poled 1.500 mm - with ISO 1724 plug > Super Seal plug	A	2	<b>994 015 335</b> 92.0000.7528
Coil cable 3 poled 3.000 mm - with ISO 1724 plug > Super Seal plug	A	2	<b>994 030 335</b> 92.0000.7469
On/off switch with 2x200 mm connection cable with Super Seal socket > plug	A	4	<b>992 942 150</b> 92.0000.5368
LED outer end marker - with 300 mm connection cable with Super Seal plug	S	5	<b>098 241 218</b> 92.0000.7490
Warning light LED 12-24V with for mounting bushes (see section with warning lights)	S	6	<b>098 287 285</b> 92.0000.9334
Mounting bracket, angled (no ADR approval)	S	7	<b>098 295 562</b> 92.0000.1674
Warning sign board - DIN 30710 one-sided aluminum, dimension: 423 x 423 (Right)	S	8	<b>098 269 124</b> 92.0000.7952
Warning sign board - DIN 30710 one-sided aluminum, dimension: 423 x 423 (Left)	S	8	<b>098 269 126</b> 92.0000.8100

### Spare parts for ISO 1724 plug - see the section with plugs & sockets

ADR Series	S / A	Pos.	
Coil cable 3.000 mm - with Super Seal plug > Super Seal socket	A	3	<b>994 030 300</b> 92.0000.1782
On / off switch with 2x200 mm connection cable with Super Seal socket > plug	A	4	<b>992 942 150</b> 92.0000.5368
LED outer end marker - with 300 mm connection cable with Super Seal plug	S	5	<b>098 241 218</b> 92.0000.7490
Warning light LED 12-24V with for mounting bushes (see section with warning lights)	A	6	<b>098 287 942</b> 92.0000.6453
Mounting bracket, angled (no ADR approval)	A	7	<b>098 295 562</b> 92.0000.1674
Warning sign board - DIN 30710 one-sided aluminum, dimension: 423 x 423 (Right)	S	8	<b>098 269 124</b> 92.0000.7952
Warning sign board - DIN 30710 one-sided aluminum, dimension: 423 x 423 (Left)	S	8	<b>098 269 126</b> 92.0000.8100

## Wide load marker signs - Accessories

Application/ Description

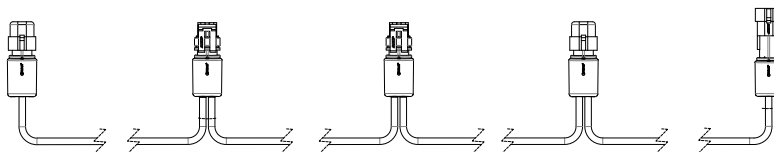
Article No.

### Side cable, chain



1 x inlet with Super Seal socket and 4 x outlet with Super Seal plug  
 Conductor cross-section: 2x1 mm<sup>2</sup>  
 Cable type: FLRYY / PVC.

800 mm  
 distance between plugs: 200 mm



**694 008 401**  
 92.0000.5397

### Connection cable

Socket 7 core ISO 1724 > Super Seal socket, 2 core  
 Conductor cross-section: 2x1mm<sup>2</sup>  
 Cable type: FLRYY / PVC  
 Outlets on 7 core plug:  
 Ground (pin L/1), R. Pos.(pin 58R/5), L. Pos. (pin 58L/7)

1.500 mm  
 2 core

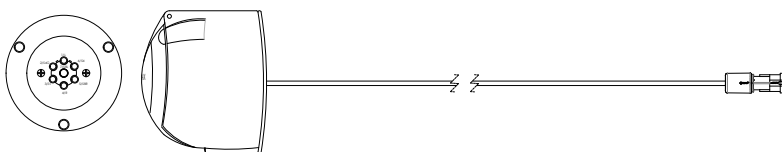
**994 015 240**  
 92.0000.1780

### Connection cable

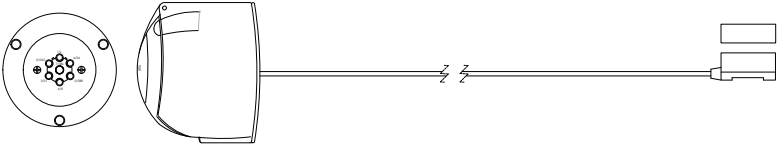


Socket 7 core ISO 1724 > Super Seal socket, 2 core  
 Conductor cross-section: 2x1mm<sup>2</sup>  
 Cable type: FLRYY / PVC  
 Outlets on 7 core socket:  
 Ground (pin 31/3), RH. Pos. (pin 58R/5), LH. Pos (pin 58L/7).

1.500 mm  
 2 core

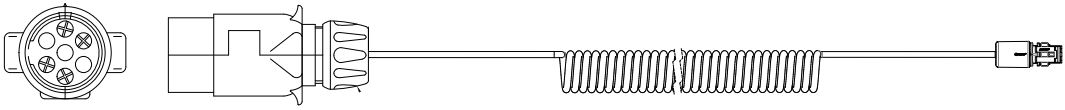


**994 015 245**  
 92.0000.7984



**Wide load marker signs - Accessories**

Application/ Description	Article No.
<p><b>Connection cable</b></p> <p>Socket 7 core ISO 1724 &gt; Click-In adapter, 2 core                      Conductor cross-section: 2x1mm<sup>2</sup>                      Cable type: FLRY Y / PVC                      Outlets on 7 core plug:                      Ground (pin L/1), R. Pos.(pin 58R/5), L. Pos. (pin 58L/7)</p> <p><b>1.500 mm</b> 2 core</p>	<p><b>994 015 270</b> 92.0000.1781</p>
<p><b>Connection cable</b></p> <p>Socket 7 core ISO 1724 &gt; Click-In adapter, 2 core                      Conductor cross-section: 2x1mm<sup>2</sup>                      Cable type: FLRY Y / PVC                      Outlets on 7 core plug:                      Ground (Pin 31/3), R. Pos (Pin 58R/5), L. Pos. (Pin 58L/7)</p> <p><b>1.500 mm</b> 2 core</p>	<p><b>994 015 275</b> 92.0000.7903</p>
	
<p><b>Coil cable</b></p> <p>Super Seal plug, 2 core &gt; Super Seal socket, 2 core                      Conductor cross-section: 3x1mm<sup>2</sup>                      Pin 2(+) connected to 2 coil cables                      Number of coils: 64</p> <p><b>1.500 mm</b> 2 core</p> <p><b>3.000 mm</b> 2 core</p>	<p></p> <p><b>994 015 300</b> 92.0000.7627</p> <p><b>994 030 300</b> 92.0000.1782</p>
	

## Wide load marker signs - Accessories

	Application/ Description	Article No.
	<p><b>Coil cable 3 core</b>                      Plug 7 core ISO 1724 &gt; Super Seal plug, 2 core                      Conductor cross-section: 3x1mm<sup>2</sup>                      Number of coils: 64</p> <p><b>3.000 mm</b>                      Outlets on 7 core plug:                      Ground (pin L/1), R. pos. (pin 58R/5), L. pos. (pin 58L/7)</p> <p><b>1.500 mm</b>                      Outlets on 7 core plug:                      Ground (pin 31/3), R. Pos. (pin 58R/5), L. Pos. (pin 58L/7)</p> <p><b>3.000 mm</b>                      Outlets on 7 core plug:                      Ground (pin 31/3), R. Pos. (pin 58R/5), L. Pos. (pin 58L/7).</p>	<p><b>994 030 330</b>                      92.0000.1783</p> <p><b>994 015 335</b>                      92.0000.7528</p> <p><b>994 030 335</b>                      92.0000.7469</p>
		
	<p><b>Coil cable 2x7 poled, 12V</b>                      Made of PUR with plastic plugs ISO 1724                      Outer diameter: Ø 40 mm                      Conductor cross section: 6x1,0 + 1x1,5 mm<sup>2</sup></p> <p><b>1.500 mm</b>                      Outlets on 7 core plugw</p>	<p><b>090 180 165</b>                      92.0000.7627</p>
	<p><b>On / off switch</b>                      2 x 200 mm connection cable With Super Seal socket &gt; plug.</p>	<p><b>992 942 150</b>                      92.0000.5368</p>



# ACCESSORIES

---



## Cable rolls



Pos. 1








Pos. 2

Cable material	Core	Spool	Cable type	Approval	Conductor cross-section	Pos.	Article No.
Plastic	2 core	50 M	FLRYY / PVC	ADR	2 x 0,5 mm <sup>2</sup>	1	<b>099 897 220</b> 92.0000.7606
Plastic	2 core	50 M	FLRYY / PVC	ADR	2 x 1,0 mm <sup>2</sup>	1	<b>099 897 226</b> 92.0000.6663
Plastic Side cable, flat for Click-in	2 core	100 m	FLYYF / PVC	ADR	2 x 1,5 mm <sup>2</sup>	1	<b>099 897 611</b> 92.0000.1694
Plastic	3 core	50 M	FLRYY / PVC	ADR	3 x 1,5 mm <sup>2</sup>	2	<b>099 897 032</b> 92.0000.6655
Plastic	4 core	50 m	FLRYY / PVC	ADR	4 x 1,0 mm <sup>2</sup>	2	<b>099 897 045</b> 92.0000.6656
Plastic	4 core	50 M	FLRYY / PVC	ADR	4 x 1,5 mm <sup>2</sup>	2	<b>099 897 049</b> 92.0000.6657
Plastic	5 core	50 m	FLRYY / PVC	ADR	5 x 1,0 mm <sup>2</sup>	2	<b>099 897 055</b> 92.0000.6658
Plastic	7 core	100 m	FLRYY / PVC	ADR	7 x 1,0 mm <sup>2</sup>	2	<b>099 897 076</b> 92.0000.6659
Plastic	7 core	50 M	FLRYY / PVC	ADR	7 x 1,5 mm <sup>2</sup>	2	<b>099 897 079</b> 92.0000.6660
Plastic	7 core	50 m	FLRYY / PVC	ADR	6 x 1,0 + 1 x 2,5 mm <sup>2</sup>	2	<b>099 897 081</b> 92.0000.6661
Plastic	13 core	25 M	FLRYY / PVC	ADR	10 x 1,5 + 3 x 2,5 mm <sup>2</sup>	2	<b>099 897 134</b> 92.0000.6662
Plastic	15 core	50 m	FLRYY / PVC	ADR	12 x 1,0 + 3 x 2,5 mm <sup>2</sup>	2	<b>099 897 299</b> 92.0000.1693
Plastic	15 core	50 m	FLRYY / PVC	ADR	12 x 1,5 + 3 x 2,5 mm <sup>2</sup>	2	<b>099 897 296</b> 92.0000.6664



## Accessories

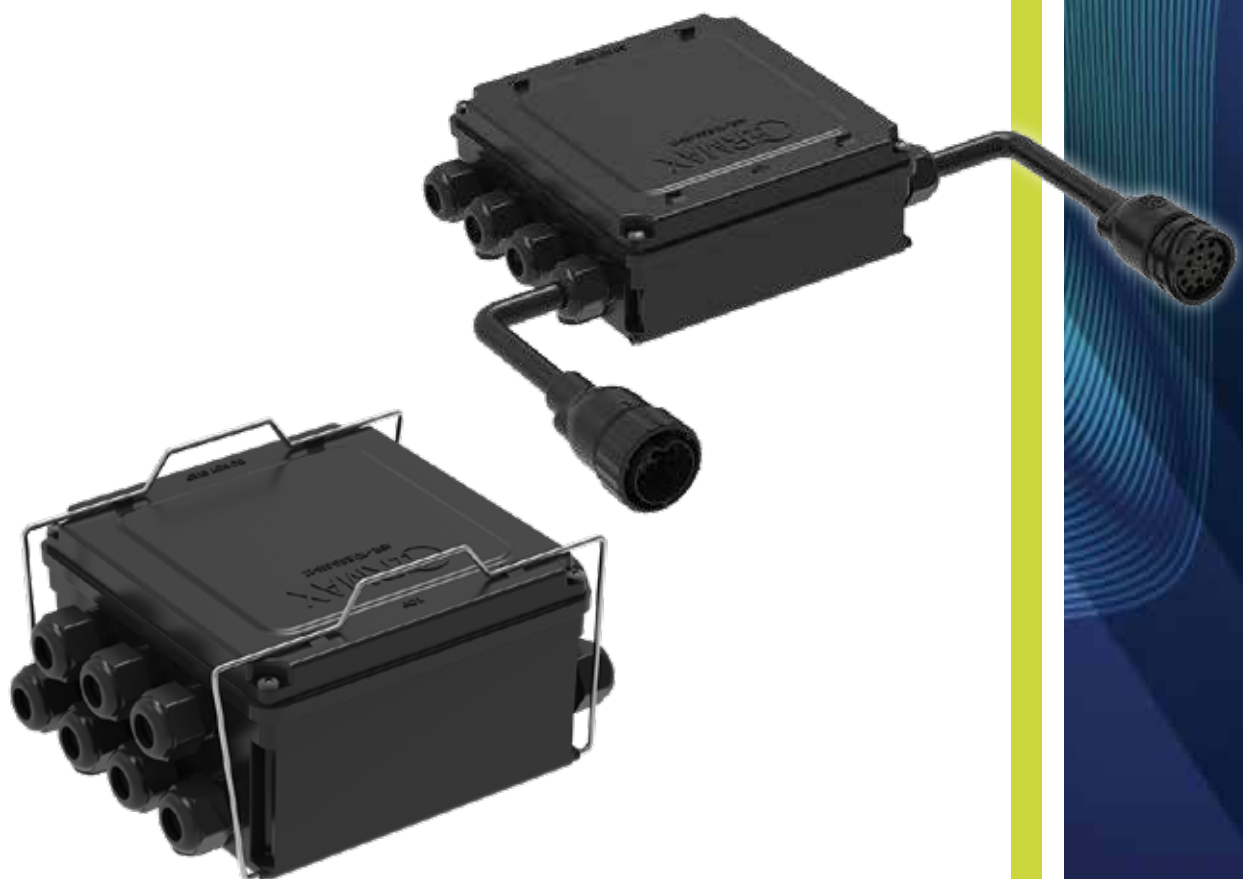


	Application/ Description	Article No.
	<p><b>Plate grip for Click-In System</b> For cable with Click-in system Flexible and uncomplicated assembly</p>	<p><b>099 859 970</b> 92.0000.1011</p>
	<p><b>Click-In cable 1,5 mm<sup>2</sup> with Open end</b></p> <p>0,5 Meter</p> <p>1,5 Meter</p> <p>3,5 Meter</p>	<p><b>794 005 280</b> 92.0000.1757</p> <p><b>794 015 280</b> 92.0000.1051</p> <p><b>794 035 280</b> 92.0000.1772</p>
	<p><b>Cap for Click-In cable 1,5 mm<sup>2</sup></b> 10 pcs bag</p>	<p><b>098 291 950</b> 92.0000.5793</p>
	<p><b>Adapter - Dual Click-in</b> For connecting two flat cables Fit for 1,5 mm<sup>2</sup> flat cable Must be mounted With 2 pcs 098 291 950 clamps</p> <p>Dimension: 68x15 x 22,1 x 15,4 mm</p>	<p><b>099 110 032</b> 92.0000.7116</p>
	<p><b>End plug for flat cable for Click-in</b> Fit for 1,5 mm<sup>2</sup> flat cable</p> <p>Dimension: Ø15 x 35 mm</p>	<p><b>099 110 031</b> 92.0000.5490</p>



# JUNCTION BOX

---



## Junction Boxes

Standardized solutions for optimal configuration

The 3 standard series are well-suited for the following applications:

### Universal Junction Box

The universal junction box is without pre-configured connections and cable exits and thus universal for various applications.

The cable entries are prepared for different cable dimensions and can – if needed – be replaced with other cabling sizes, Super Seal sockets or 7 poled AMP sockets.

### Pass-through Junction Box

The pass-through junction box has 15 poled plug and socket and is placed between the main cable and the rear cable. All functions are available in the junction box and can by means of the cable entries be safely connected.

According to need the cable entries can be replaced with Super Seal sockets or 7poled sockets.

### Rear connection Junction Box

This junction box is connected at the end of the main cable and has connections or cable for the tail lights. Further there is connection to all functions through pre-configured sockets or cable entries.

### Your advantages with the Ermax solutions:

- Unique flexibility due to fast and easy replacement of cable entries and sockets (Super Seal and 7 poled AMP sockets)
- Time-saving and easy built-in of the junction box due to pre-cabling
- Various free cable entries for universal use
- 2 sizes are available. Connection to terminal plate or terminal block.
- Locking braze to hold the cover can be retrofitted.



UNIVERSAL JUNCTION BOX



PASS-THROUGH JUNCTON BOX



REAR CONNECTION BOX

## Junction box Standard program - overview

Box Type	Cover	Inlet	Outlet	Connection - Cable gland	Integrated SIMAC control	Article No.
Universal-Box	Low	Cable gland with grommet Ø13-11 mm	--	1 x Cable gland with grommet Ø7-11 mm 2 x Cable gland with grommet Ø4-6 mm 4 x Cable gland with grommet 2 x Ø5,5 mm		<b>099 864 100</b> 92.0000.9385
	High	Cable gland with grommet Ø13-11 mm	--	4 x Cable gland with grommet Ø7-11 mm 8 x Cable gland with grommet Ø4-6 mm 1 x Cable gland with grommet 2 x Ø5,5 mm		<b>099 864 500</b> 92.0000.9386
Pass-through Box	Low	15 poled Ermax bayonet socket with 500 mm cable	15 poled Ermax bayonet plug with 500 mm cable	1 x 2 pin Super Seal socket for positions light, right 1 x 2 pin Super Seal socket for positions light, left 2 x Cable gland with grommet Ø4-6 mm 2 x Cable gland with grommet 2 x Ø5,5 mm		<b>099 864 151</b> 92.0000.9379
	Low	15 poled Ermax bayonet socket with 500 mm cable	15 poled Ermax bayonet plug with 500 mm cable	2 x Cable gland with grommet Ø4-6 mm 4 x Cable gland with grommet 2 x Ø5,5 mm		<b>099 864 150</b> 92.0000.9378
	High	15 poled Ermax bayonet socket with 500 mm cable	15 poled Ermax bayonet plug with 500 mm cable	6 x Cable gland with grommet Ø4-6 mm 6 x Cable gland with grommet 2 x Ø5,5 mm		<b>099 864 550</b> 92.0000.9383
Rear connection box	Low	15 poled Ermax bayonet socket with 500 mm cable	--	1 x 7 pin AMP socket for right tail light 1 x 7 pin AMP socket for left tail light 1 x 2 pin Super Seal socket for right position light 1 x 2 pin Super Seal socket for left position light 1 x 2 pin Super Seal socket for reverse light 1 x 2 pin Super Seal socket for rear fog light 1 x Cable gland with grommet 2 x Ø5,5 mm		<b>099 864 110</b> 92.0000.9376
	High	15 poled Ermax bayonet socket with 500 mm cable	--	1 x 7 pin AMP socket for right tail light 1 x 7 pin AMP socket for left tail light 1 x 2 pin Super Seal socket for right position light 1 x 2 pin Super Seal socket for left position light 1 x 2 pin Super Seal socket for reverse light 1 x 2 pin Super Seal socket for rear fog light 1 x 2 pin Super Seal socket for stop light 1 x 2 pin Super Seal socket for AUX 3 1 x Cable gland with grommet 2 x Ø5,5 mm 2 x Cable gland with grommet Ø4-6 mm 2 x Cable gland with grommet Ø7-10 mm		<b>099 864 510</b> 92.0000.9381
	Low	15 poled Ermax bayonet socket with 500 mm cable	2 x 7 pin AMP plug for tail light, right + left	2 x Cable gland with grommet 2 x Ø5,5 mm 2 x Cable gland with grommet 2 x Ø4-6 mm 1 x Cable gland with grommet 2 x Ø7-10 mm		<b>099 864 113</b> 92.0000.9377
	High	15 poled Ermax bayonet socket with 500 mm cable	--	1 x 2 pin Super Seal socket for right position light 1 x 2 pin Super Seal socket for left position light 3 x Cable gland with grommet Ø4-6 mm 8 x Cable gland with grommet 2 x Ø5,5 mm		<b>099 864 501</b> 92.0000.9380
	High	15 poled Ermax bayonet socket with 500 mm cable	2 x 3 7-poliger AMP plug for tail light, right + left	1 x 2 pin Super Seal socket for position light, right 1 x 2 pin Super Seal socket for position light, left 1 x 2 pin Super Seal socket for stop light 1 x 2 pin Super Seal socket for reverse light 1 x 2 pin Super Seal socket for rear fog light 1 x 2 pin Super Seal stikdåse med AUX 3 2 x Cable gland with grommet Ø7-11 mm 2 x Cable gland with grommet Ø4-6 mm 1 x Cable gland with grommet 2 x Ø5,5 mm		<b>099 864 531</b> 92.0000.9382
	High	15 poled Ermax bayonet socket with 500 mm cable	--	2 x 2 pin Super Seal socket with right/left SIMAC 7 x Cable gland with grommet 2 x Ø5,5 mm 2 x Cable gland with grommet Ø4-6 mm 2 x Cable gland with grommet Ø7-10 mm	SIMAC	<b>099 869 501</b> 92.0000.9384
	High	15 poled Ermax bayonet socket with 1.500 mm cable	--	2 x 2 pin Super Seal socket for left and right position light 2 x 2 pin Super Seal socket for left and right SIMAC 1 x 2 pin Super Seal socket for reverse light 1 x 2 pin Super Seal socket for fog light 1 x 2 pin Super Seal socket for stop light 2 x Cable gland with grommet Ø4-6 mm 4 x Cable gland with grommet 2 x Ø5,5 mm	SIMAC	<b>099 869 506</b> 92.0000.xxxx

## Universal Junction box

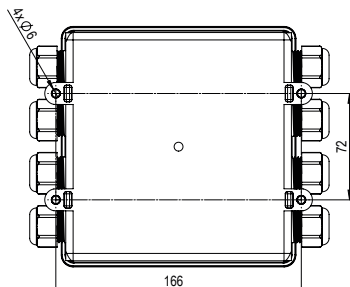
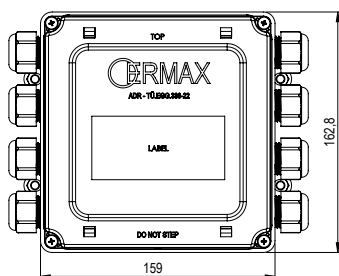
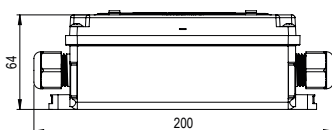
Application/ Description

Article No.

### Junction box Housing of black polycarbonate IP Rating: IP69K

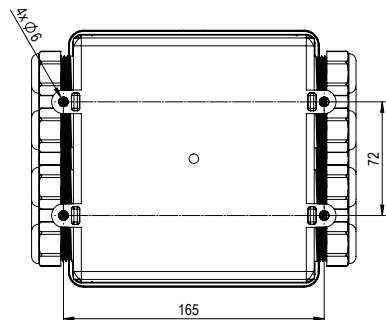
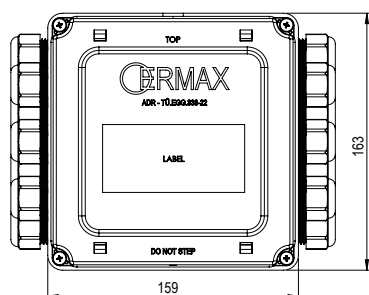
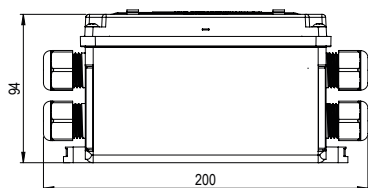
#### Low version - Connections:

- Connection: 1 x Cable gland with grommet Ø11-13 mm  
 1 x Cable gland with grommet Ø7-11 mm  
 2 x Cable gland with grommet Ø4-6 mm  
 4 x Cable gland with grommet 2 x Ø5,5 mm



#### High version - Connections:

- Connection: 1 x Cable gland with grommet Ø11-13 mm  
 4 x Cable gland with grommet Ø7-11 mm  
 8 x Cable gland with grommet Ø4-6 mm  
 1 x Cable gland with grommet 2 x Ø5,5 mm



099 864 100  
92.0000.9385

099 864 500  
92.0000.9386

## Pass-through Junction box

Application/ Description

Article No.

### Junction box with cable Housing of black polycarbonate IP Rating: IP69K

#### Low version - Connections:

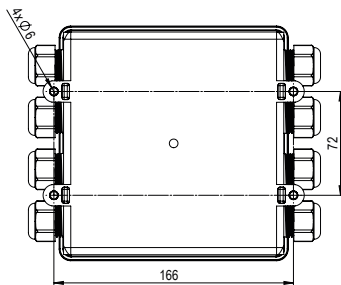
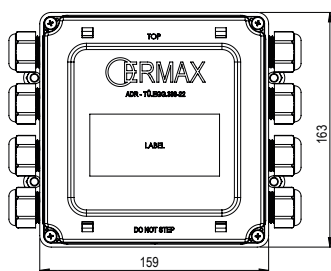
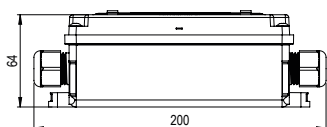
Inlet: 15 pin Ermax socket, 500 mm cable

Outlet: 15 pin Ermax plug, 500 mm cable

Connection: 1 x 2 pin Super Seal socket for positions light, right  
1 x 2 pin Super Seal socket for positions light, left  
2 x Cable gland with grommet Ø4-6 mm  
2 x Cable gland with grommet 2 x Ø5,5 mm

**099 864 151**

92.0000.9379



## Pass-through Junction box

Application/ Description

Article No.

### Junction box with cable Housing of black polycarbonate IP Rating: IP69K

#### Low version - Connections:

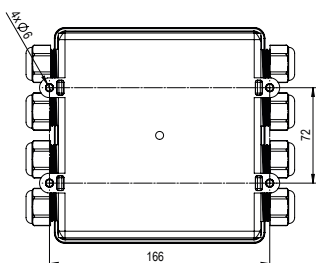
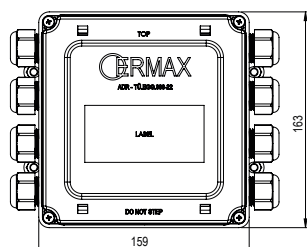
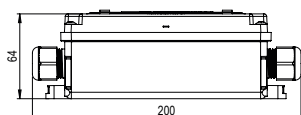
Inlet: 15 pin Ermax socket, 500 mm cable

Outlet: 15 pin Ermax plug, 500 mm cable

Connection: 2 x Cable gland with grommet  $\varnothing$ 4-6 mm  
4 x Cable gland with grommet 2 x  $\varnothing$ 5,5 mm

099 864 150

92.0000.9378



#### High version - Connections:

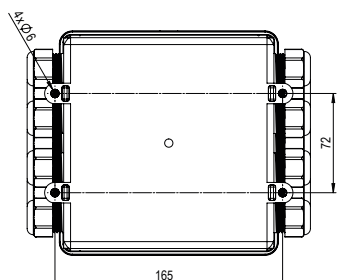
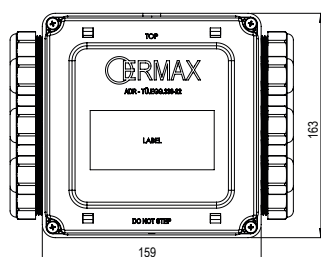
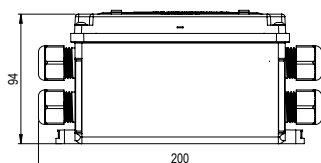
Inlet: 15 pin Ermax socket, 500 mm cable

Outlet: 15 pin Ermax plug, 500 mm cable

Connection: 6 x Cable gland with grommet  $\varnothing$ 4-6 mm  
6 x Cable gland with grommet 2 x  $\varnothing$ 5,5 mm

099 864 550

92.0000.9383





## Rear connection Junction box

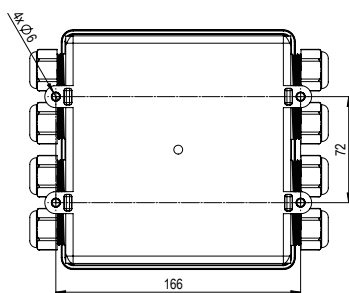
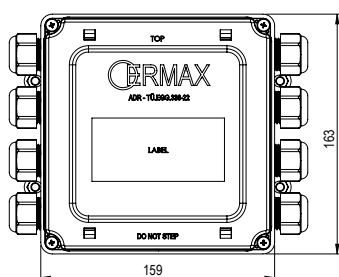
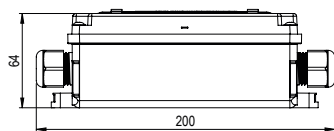
Application/ Description

Article No.

**Junction box**  
**Housing of black polycarbonate**  
**IP Rating: IP69K**

**Low version - Connections:**

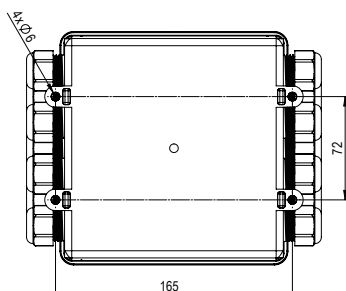
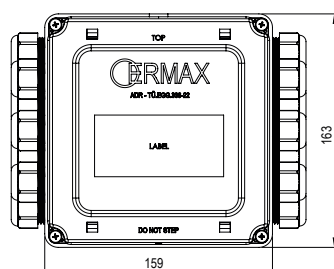
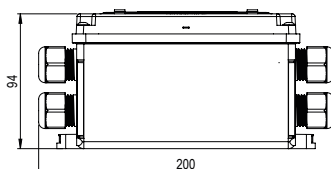
- Inlet: 15-polige Ermax Steckdose, 500 mm Kabel
- Connection: 1 x 7 pin AMP socket for right tail light
- 1 x 7 pin AMP socket for left tail light
- 1 x 2 pin Super Seal socket for right position light
- 1 x 2 pin Super Seal socket for left position light
- 1 x 2 pin Super Seal socket for reverse light
- 1 x 2 pin Super Seal socket for rear fog light
- 1 x Cable gland with grommet 2 x Ø5,5 mm



**099 864 110**  
 92.0000.9376

**High version - Connections:**

- Inlet: 15-polige Ermax Steckdose, 500 mm Kabel
- Connection: 1 x 7 pin AMP socket for right tail light
- 1 x 7 pin AMP socket for left tail light
- 1 x 2 pin Super Seal socket for right position light
- 1 x 2 pin Super Seal socket for left position light
- 1 x 2 pin Super Seal socket for reverse light
- 1 x 2 pin Super Seal socket for rear fog light
- 1 x 2 pin Super Seal socket for stop light
- 1 x 2 pin Super Seal socket for AUX 3
- 1 x Cable gland with grommet 2 x Ø5,5 mm
- 2 x Cable gland with grommet Ø4-6 mm
- 2 x Cable gland with grommet Ø7-10 mm



**099 864 510**  
 92.0000.9381

## Rear connection Junction box



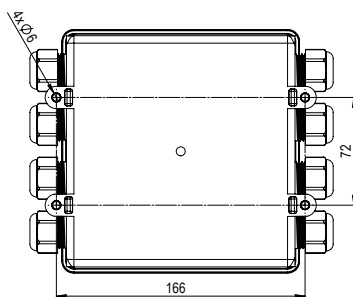
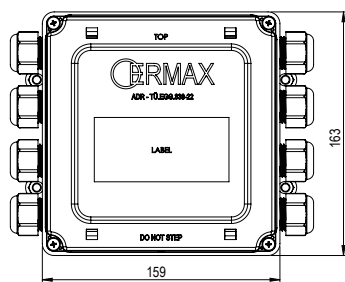
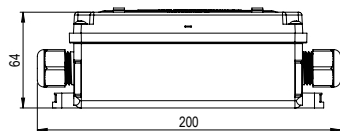
Application/ Description

Article No.

### Junction box with cable Housing of black polycarbonate IP Rating: IP69K

#### Low version - Connections:

- Inlet: 15 pin Ermax socket, 500 mm cable
- Outlet: 1 x 7 pin AMP plug on 1300mm cable for right tail light  
1 x 7 pin AMP plug on 1300mm cable for left tail light
- Connection: 2 x Cable gland with grommet 2 x Ø5,5 mm  
2 x Cable gland with grommet 2 x Ø4-6 mm  
1 x Cable gland with grommet 2 x Ø7-10 mm



099 864 113

92.0000.9377

Rear connection Junction box



Application/ Description

Article No.

**Junction box with cable**  
**Housing of black polycarbonate**  
**IP Rating: IP69K**

**High version - Connections:**

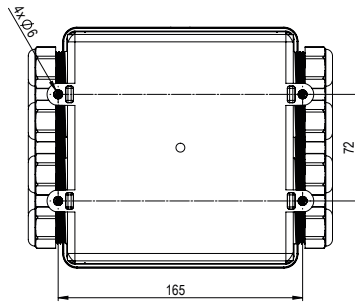
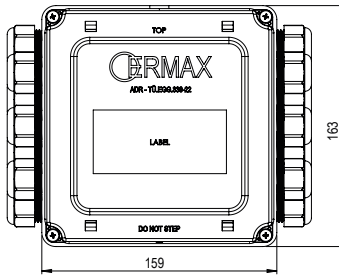
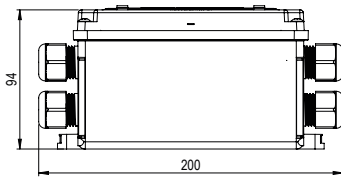
Inlet: 15 pin Ermax socket, 500 mm cable

Connection: 1 x 2 pin Super Seal socket for right position light

1 x 2 pin Super Seal socket for left position light

3 x Cable gland with grommet Ø4-6 mm

8 x Cable gland with grommet 2 x Ø5,5 mm



**099 864 501**  
 92.0000.9380

## Rear connection Junction box

Application/ Description

Article No.

### Junction box with cable Housing of black polycarbonate IP Rating: IP69K

#### High version - Connections:

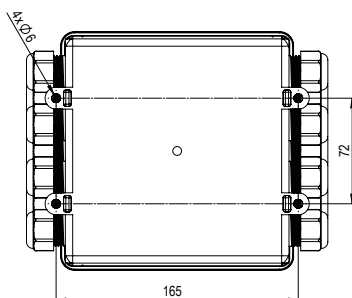
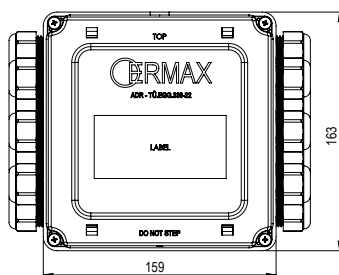
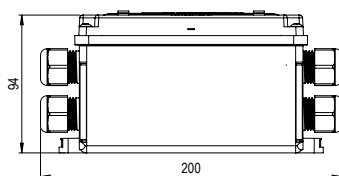
Inlet: 15 pin Ermax socket, 1500 mm cable

Outlet: 2 x 3 7-pin AMP plug, angled - 2100 mm cable for tail light  
RH +LH

Connection: 1 x 2 pin Super Seal socket for position light, right  
1 x 2 pin Super Seal socket for position light, left  
1 x 2 pin Super Seal socket for stop light  
1 x 2 pin Super Seal socket for reverse light  
1 x 2 pin Super Seal socket for rear fog light  
1 x 2 pin Super Seal stikdåse med AUX 3  
2 x Cable gland with grommet Ø7-11 mm  
2 x Cable gland with grommet Ø4-6 mm  
1 x Cable gland with grommet 2 x Ø5,5 mm

099 864 531

92.0000.9382



## Rear connection Junction box with SIMAC

Application/ Description

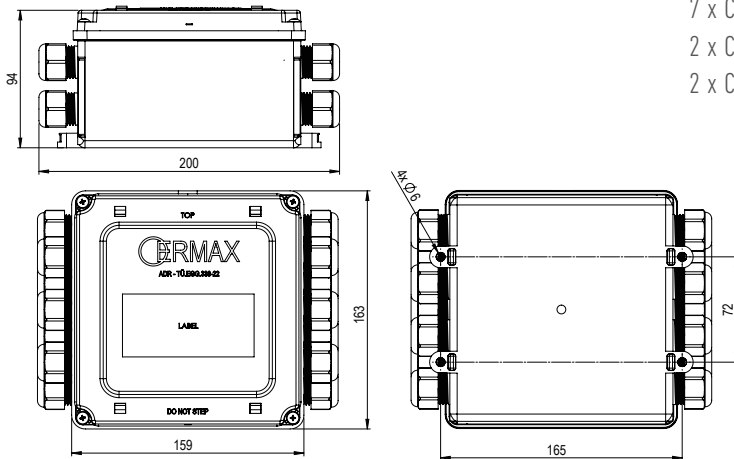
Article No.

**Junction box with cable with SIMAC**  
**Housing of black polycarbonate**  
**IP Rating: IP69K**

**High version - Connections:**

Inlet: 15 pin Ermax socket, 500 mm cable

Connection: 2 x 2 pin Super Seal socket with right/left SIMAC,  
 7 x Cable gland with grommet 2 x Ø5,5 mm  
 2 x Cable gland with grommet Ø4-6 mm  
 2 x Cable gland with grommet Ø7-10 mm

**099 869 501**

92.0000.9384

## Rear connection Junction box with SIMAC

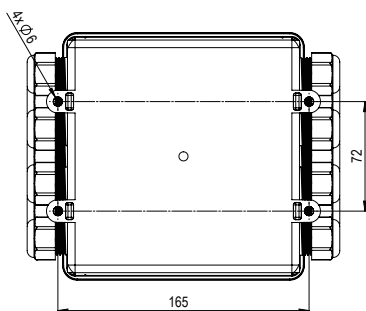
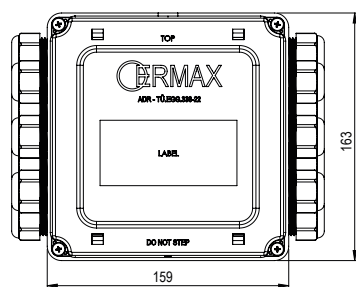
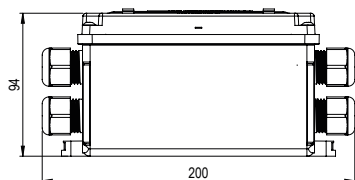
Application/ Description

Article No.

### Junction box with cable with SIMAC Housing of black polycarbonate IP Rating: IP69K

#### High version - Connections:

- Inlet: 15 pin Ermax socket, 1500 mm cable
- Connection: 2 x 2 pin Super Seal socket for left and right position light
- 2 x 2 pin Super Seal socket for left and right SIMAC
- 1 x 2 pin Super Seal socket for reverse light
- 1 x 2 pin Super Seal socket for fog light
- 1 x 2 pin Super Seal socket for stop light
- 2 x Cable gland with grommet Ø4-6 mm
- 4 x Cable gland with grommet 2 x Ø5,5 mm



099 869 506

92.0000.xxxx

## Universal box

Application/ Description

Article No.

**Universal box with clamp straps and plug cartridge**  
**Housing of black polycarbonate**  
**IP Rating: IP69K**

**High version - Connections:**

**Additional inlets/outlets:**

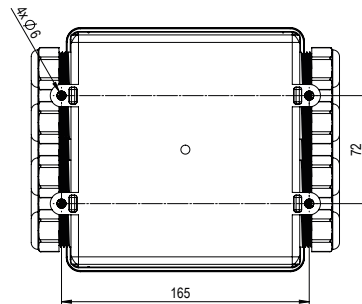
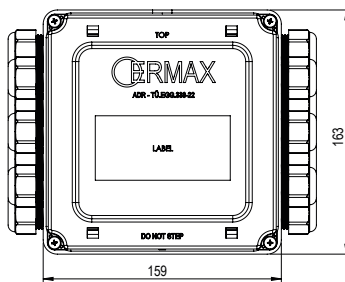
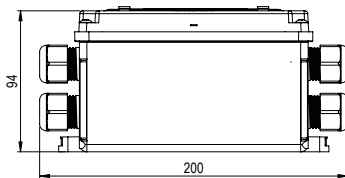
1 x Cable gland with grommet  $\varnothing$ 11-13 mm

6 x Cable gland with grommet  $\varnothing$ 4-6 mm

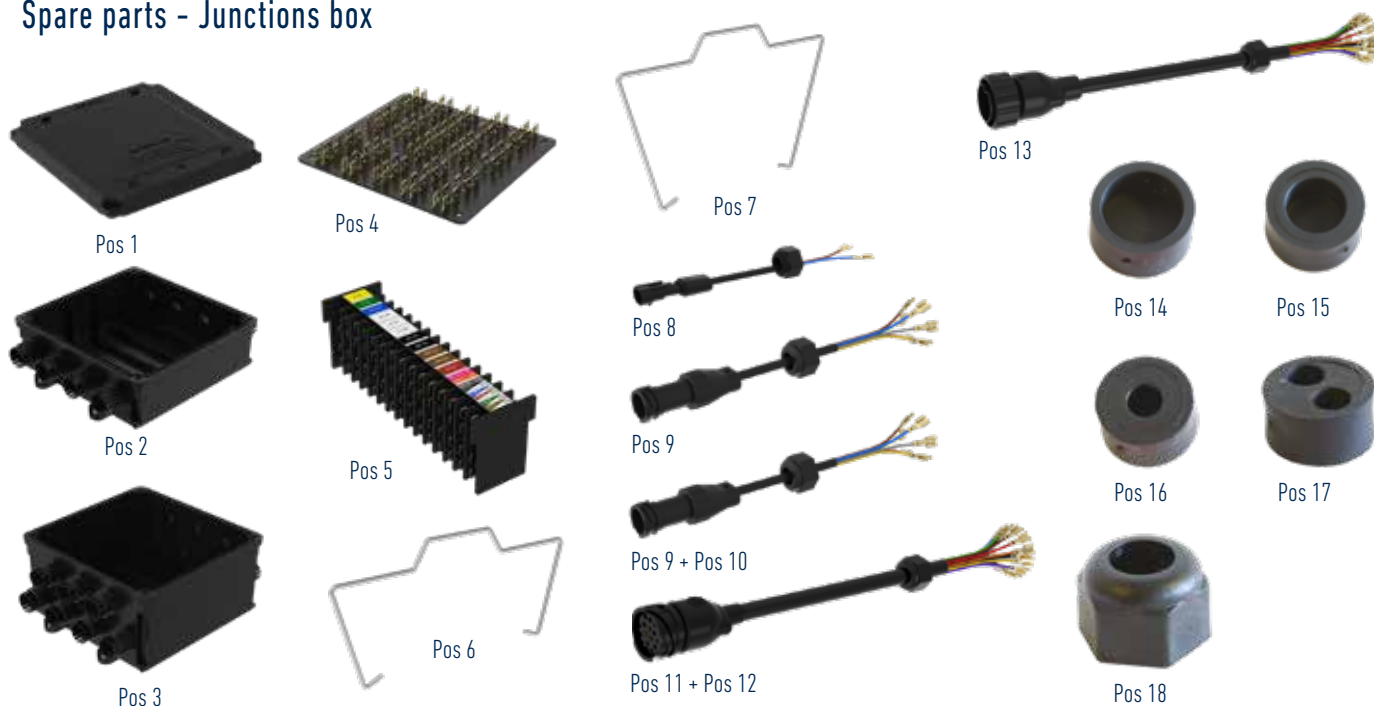
7 x Cable gland with grommet 2 x  $\varnothing$ 5,5 mm

099 864 651

92.0000.9371



### Spare parts - Junctions box



### Spareparts / Accessories Ermax Junction box

Cover for junction box. Incl. Screws. Suitable for both the low and high version of the junction box. Measurements ( H x W x L): 18 x 153 x 157 mm	1	099 110 800
Cover for junction box. Incl. Screws. Suitable for both the low and high version of the junction box. Measurements ( H x W x L): 18 x 153 x 157 mm	2	099 110 801
Junction box, high version - without cover and cable glands. 14 cable inlets ( without nuts and rubber grommets) 5 mounting grooves for self-tapping screws in the bottom.	3	099 110 802
Terminal board for junction box with 104 terminals. Suitable for both low and high version of the junction box. Incl. screws for installation.	4	099 110 803
Terminal cartridge for junction box, removable with 120 terminals.	5	099 110 804
Locking brace for junction box, low version. The locking brace is used to keep the cover in place on the junction box. 2 pcs per box is needed. Material: Stainless steel.	6	099 110 805
Locking brace for junction box, high version. The locking brace is used to keep the cover in place on the junction box. 2 pcs per box is needed. Material: Stainless steel.	7	099 110 806
Connection cable 300mm with Super Seal socket for junction box. Mounted with grommet 2 x Ø5,5 mm and nut for junction box. 200 mm stripped wire with blade receptacles.	8	099 110 820
Connection cable 300 mm with 7 pole AMP socket for junction box (6 x 1 mm <sup>2</sup> ). Mounted with grommet 2 x Ø4-6 mm and nut for junction box. 200 mm stripped wire with blade receptacles.	9	099 110 870
Connection cable 300 mm with 7 pole AMP socket for junction box (6 x 1 mm <sup>2</sup> + 1 x 2,5 mm <sup>2</sup> ). Mounted with grommet 2 x Ø4-6 mm and nut for junction box. 200 mm stripped wire with blade receptacles.	10	099 110 875
Connection cable 700 mm with 15 pole Ermax socket for junction box. Mounted with grommet 2 x Ø11-13 mm and nut for junction box. 200 mm stripped wire with blade receptacles.	11	099 110 880
Connection cable 1700 mm with 15 pole Ermax socket for junction box. Mounted with grommet 2 x Ø11-13 mm and nut for junction box. 200 mm stripped wire with blade receptacles.	12	099 110 881
Connection cable 700 mm with 15 pole Ermax plug for junction box. Mounted with grommet 2 x Ø11-13 mm and nut for junction box. 200 mm stripped wire with blade receptacles.	13	099 110 885
Rubber sealing for cablegland housing in junction box Ø16/Ø13-11 mm	14	099 110 207
Rubber sealing for cablegland housing in junction box, Ø16/Ø10-7 mm	15	099 110 208
Rubber sealing for cablegland housing in junction box, Ø16/Ø6-4 mm	16	099 110 209
Rubber sealing for cablegland housing in junction box, Ø16/2 xØ5,5 mm	17	099 110 210
Nut for cablegland housing	18	099 110 206



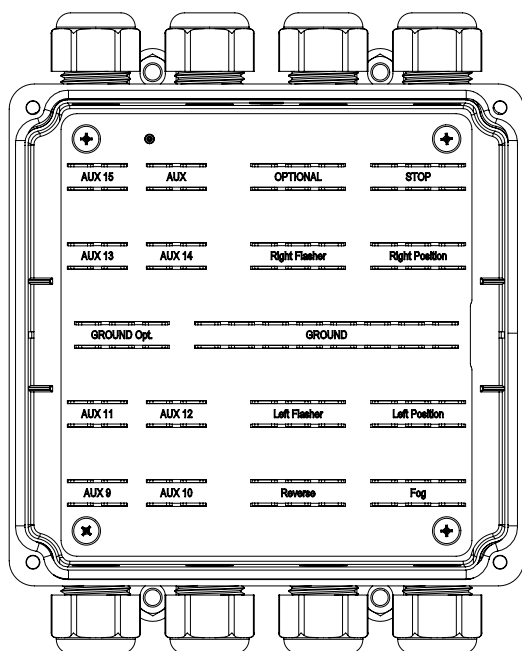
### Spare parts Junction box (Old version - Generation 1)



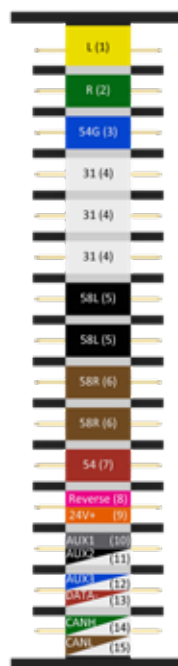
Junction box without cover and connection, 8 x connection possibilities, 158 x 143 mm	1	<b>099 110 200</b> 92.0000.6562
Cover for junction box, low version, 158 x 143 x 18 mm	2	<b>099 110 201</b> 92.0000.6563
Cover for junction box, high version, 158 x 143 x 45 mm	3	<b>099 110 202</b> 92.0000.6564
Seal for inlet-/outlet in junction box, Ø34 x Ø23 x 3 mm	4	<b>099 110 203</b> 92.0000.6565
Bayonet-ring for inlet / outlet	5	<b>099 110 204</b> 92.0000.6566
Cable gland M22/2,0	6	<b>099 110 205</b> 92.0000.6567
Nut for cable gland	7	<b>099 110 206</b> 92.0000.6568
Rubber blind for cable gland Ø13-11 mm	8	<b>099 110 207</b> 92.0000.6569
Rubber blind for cable gland, Ø11-7 mm	9	<b>099 110 208</b> 92.0000.6570
Rubber blind, for inlet / outlet - for cable Ø6-4 mm	10	<b>099 110 209</b> 92.0000.6571
Rubber blind for cable gland, Ø5,5 mm x 2	11	<b>099 110 210</b> 92.0000.6572
Super Seal socket with black and white (-) cable	12	<b>099 110 211</b> 92.0000.6573
7 poled AMP 1.5 socket	13	<b>099 110 212</b> 92.0000.6574
Heating cable (resistor) 24V with cable shoe - 5W. Length: 545 mm	14	<b>093 865 125</b> 92.0000.1466

## Pin assignment

Connection ISO 12098 pin numbers / Number of spade terminals 6.3 x 0.6 mm



Terminal plate



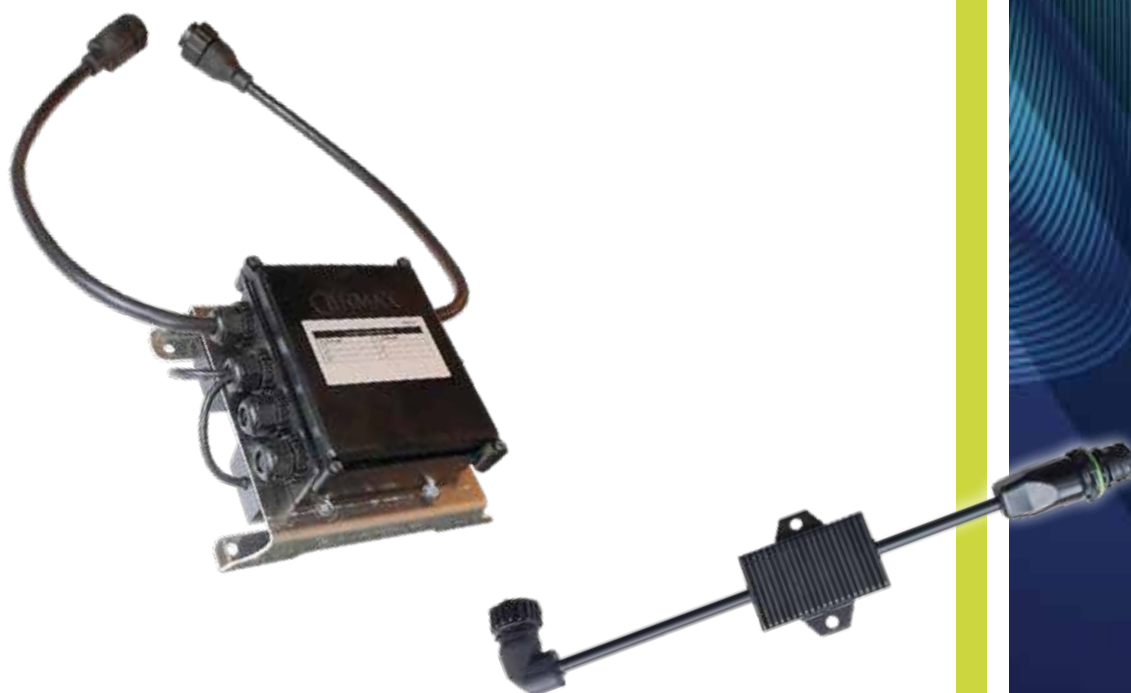
Terminal block



	Position	Description	Pieces available on terminal plates	Pieces available on terminal block
ISO 12098	1	Left indicator	6 pcs.	8 pcs.
	2	Right indicator	6 pcs.	8 pcs.
	3	Rear fog light	6 pcs.	8 pcs.
	4	Mass (-)	16 pcs.	21 pcs.
	5	Left position	6 pcs.	14 pcs.
	6	Right position	6 pcs.	14 pcs.
	7	Brake light	6 pcs.	8 pcs.
	8	Reversing light	6 pcs.	4 pcs.
	9	Power supply, continuous positive	4 pcs.	4 pcs.
	10	AUX 1, wear display	4 pcs.	4 pcs.
	11	AUX 2, brake control for trailer	4 pcs.	4 pcs.
	12	AUX 3, lifting axle	4 pcs.	4 pcs.
	13	Mass for PINs 9-15 (ISO12098)	4 pcs.	4 pcs.
	14	CANH - data communication	4 pcs.	4 pcs.
	15	CANL - data communication	4 pcs.	4 pcs.
Additional groups		Mass (-) optional AUX Optional	6 pcs. 4 pcs. 6 pcs.	-- -- --

# ELECTRONIC CONTROL UNITS

---



## Electronic control boxes - applications

### Light failure control



Failure at an indicator must for vehicles with a permission for driving in public traffic be shown optically or acoustically. This regulation is valid for all EU countries (EU Regulation 48 Art. 6.55.8).

If there is a surveillance of the brake light at the pulling vehicle there must also be a failure indicator for the brake lights.

As a LED light has a very low consumption there might be problems with the failure control at certain trucks. The low consumption is estimated as failure of the light control and shown as a failure.

Using the ERMAX LED control box the LED tail lights are tested and a resistance for indicator and stop function is mounted.

Should the consumption of the LED fall to below 10 mA (LED light or connections are defect) the resistance is disconnected, and the failure will be shown at the dashbord in the driver's cab according to the regulation.

#### Disclaimers:

A failure control device must not have any influence on the vehicle mileage log book of the trucks, and therefore Ermax cannot grant an overall guarantee that the application will work perfectly at all trucks.

## Intelligent LED Control Units for monitoring and failure control of LED tail lights

No worries - suitable for all types of vehicles regardless of the truck

ERMAX LED Control units Generation 2.0 - Compatible with all truck brands\*

The new ERMAX LED control units are compatible with the older monitoring technologies as well as with the new ISO13207 standard for failure control. This means, that all known vehicles and trucks regardless of production year\* can communicate with the new ERMAX LED failure control units - generation 2.0 - no matter which truck a trailer is combined with.



LED Control unit 24V, universal  
- suitable for all tail lights functions



LED Control unit 24V,  
for both directions indicator - and stop light functions



LED Control unit 24V,  
for both directions indicator- and stop light functions  
- are integrated in the tail lights TM11 and TM12



LED Control box 24V,  
for direction indicator- and stop light functions as well as  
junction box (also version with integrated SIMAC®)

### Highlights

\* Valid for all known brands within EU as of 12/2020

- ERMAX LED Control units are compatible with all brands and building-year of trucks produced in EU\*, meaning, that a trailer with ERMAX LED failure control can be combined with all towing vehicles, old as new
- Use a technology which is NOT limited to ISO13207 and therefore suitable for all vehicles\*
- Easy and flexible built-in of the small compact variants due to the long cables, meaning that they can either be mounted directly behind the tail lights or mounted further ahead at the front under the vehicle
- The combined control unit for main cable installation combines both monitoring of the light functions, SIMAC® and at the same time function as a junction box
- The new Generation 2.0 LED failure control technology is already used as an integrated part of the ERMAX tail lights TM10, TM11 og TM12
- Approvals: ADR, EMC-R10



TM10 LED tail light



TM11 LED tail light

## TECHNICAL SPECIFICATIONS

### LED Control Unit 24V Generation 2.0 – Failure control LED tail lights

#### ERMAX LED Control Units Generation 2.0 – Applications

Ermac LED control units Generation 2.0 technology is already used today in several variants in order to solve the known problems concerning light monitoring.

Generation 2.0 LED control units monitor the direction indicator light function and / or the stop light function, and ensure full failure control, when LED tail lights are used at the trailer. In case of light failure, the light monitoring system at the truck is activated according to the regulation ECE 48.

The small compact LED control unit with AMP plug connections is easily mounted in front of the tail light in the right or left side. One variant monitors the direction indicator light function (098 298 146) and can be combined with the variant which monitors the stop light function (098 298 148).

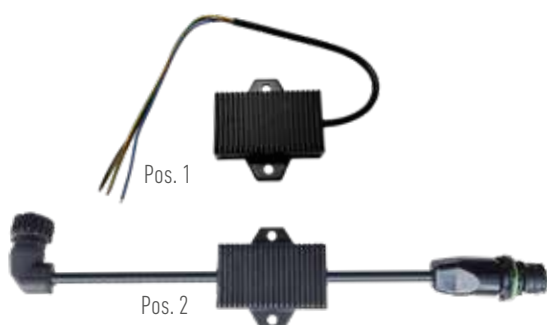
If no AMP plugs are used, a universal variant with Open-end can be used for all tail light functions (one unit per function – 098 298 144).

By a complete ERMAX lighting installation the easiest variant to use, is the combined control box, which monitors both direction indicator- and stop-light functions (098 298 160). This is also available in a variant with SIMAC® (control of flashing side marker lights) (098 298 170) and both variants function also as a junction box, where all tail light functions can be reached.



Failure control function	Inlet	Outlet	Dimension (Control unit)	Distance mounting holes	Pos.	Article No.
Universal - for all tail light functions (one unit per function)	--	400 mm cable with Open-end	120 x 52 x 30 mm	70 mm / Ø8,5 mm	1	098 298 144
Indicator light	850 mm cable with 7-poled AMP socket	600 mm cable with 7-poled AMP plug	120 x 52 x 30 mm	70 mm / Ø8,5 mm	2	098 298 146
Stop light	1.800 mm cable with 7-poled AMP socket	1.500 mm cable with 7-poled AMP plug	120 x 52 x 30 mm	70 mm / Ø8,5 mm	2	098 298 148
Indicator- and stop light (one unit per function)	Mounting at the back of the housing of TM11 og TM12 Connection with 3 spring-loaded contact pins		118 x 38 x 25 mm	-	3	098 298 149
Indicator- and stop light and also junction box*	500 mm cable with 15-poled Ermac bayonet socket	500 mm cable with 15-poled Ermac bayonet plug	285 x 270 x 170 mm	250 x 240 mm / 4 x Ø8,5mm	4	098 298 160
Indicator- and stoplight, SIMAC and junction box*	500 mm cable with 15-poled Ermac bayonet socket	500 mm cable with 15-poled Ermac bayonet plug	285 x 270 x 170 mm	250 x 240 mm / 4 x Ø8,5mm	4	098 298 170

\* The LED Control box 098 298 160 and 098 298 170 functions as junction box and give the possibility to reach outlets of all ISO12098 light connections.

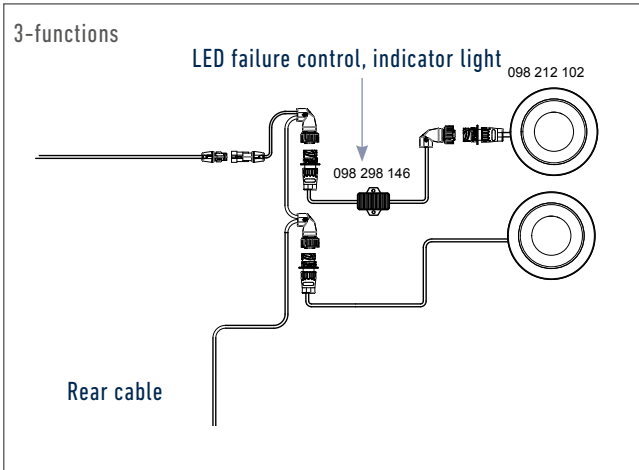


## TECHNICAL SPECIFICATIONS

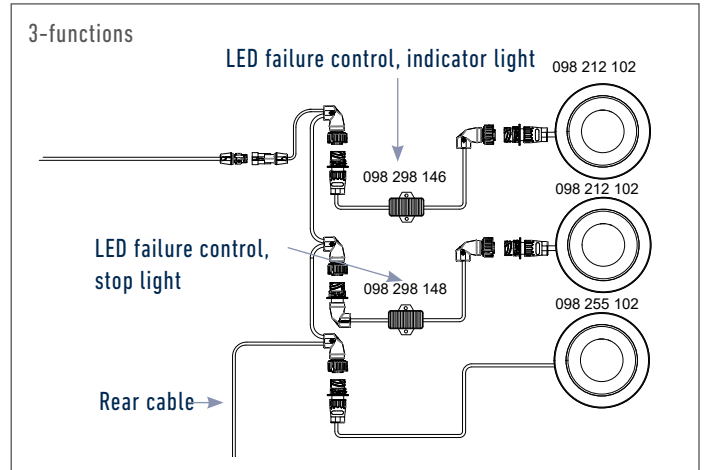
### LED Control Unit 24V Generation 2.0 - Failure control LED tail lights

#### Examples of applications

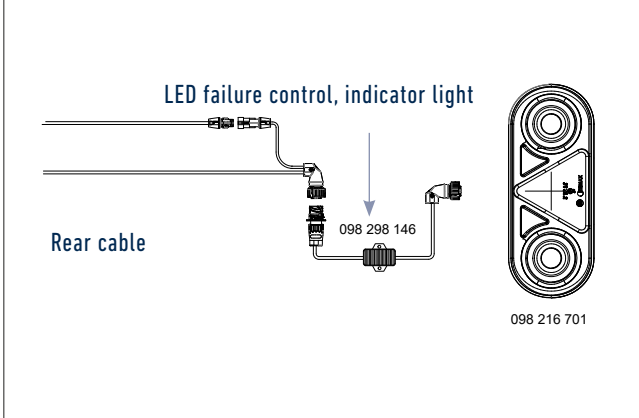
Ex: Configuration with failure control of indicator light



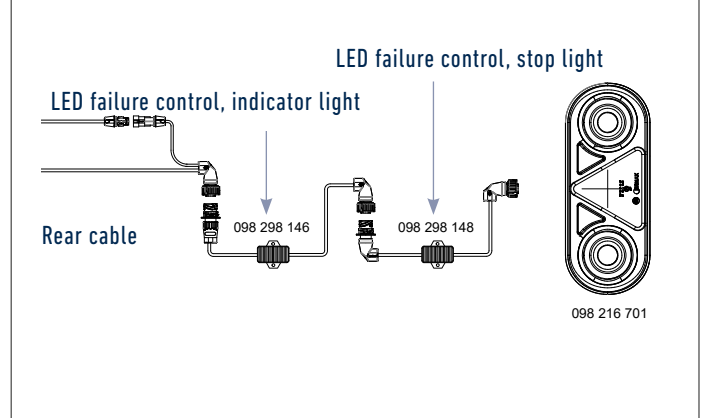
Ex: Configuration with failure control of indicator- & stop light



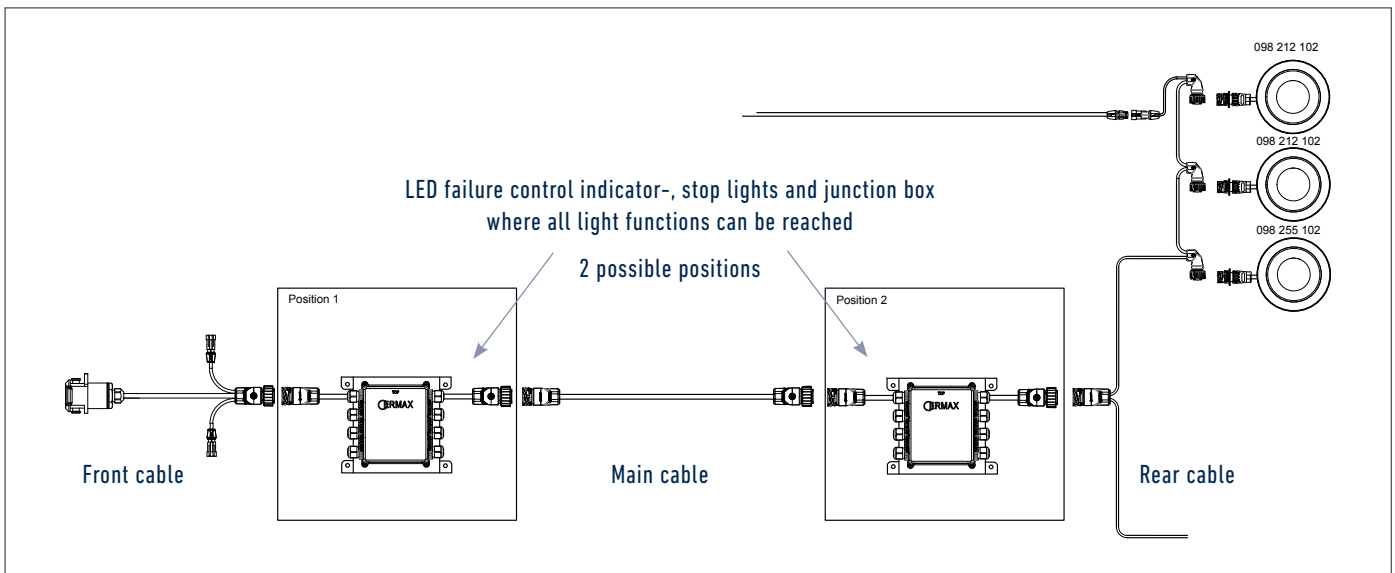
7-functions



7-functions



Ex: Configuration with failure control of indicator- & stop light - and junction box function

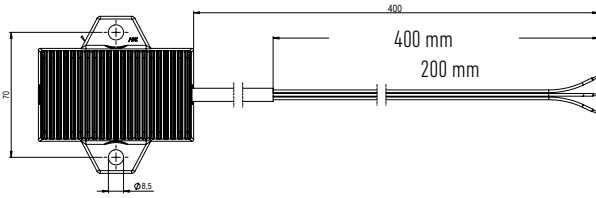


## TECHNICAL SPECIFICATIONS

### LED Control Unit 24V Generation 2.0 - Failure control LED tail lights

#### Drawings / Dimensions

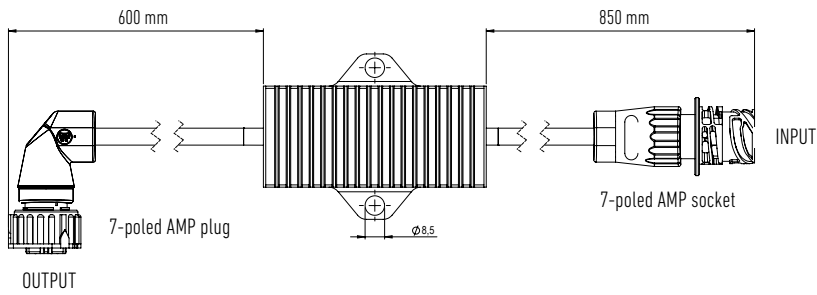
098 298 144



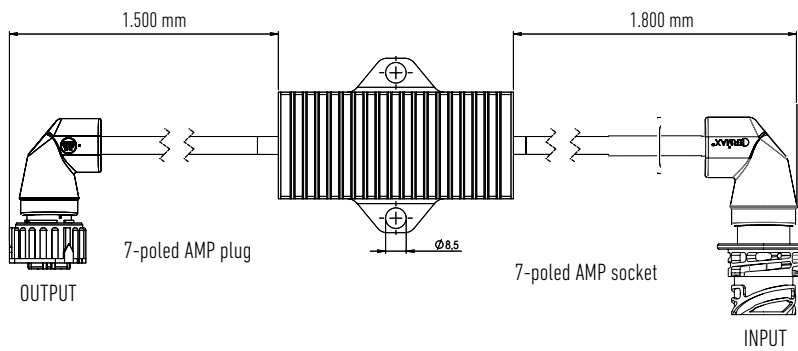
Contact assignment

Position	Colour	Function	Description
1	Brown	Ground	Minus
2	Blue	Input	Switch / Relay
3	Yellow - Green	Output	Tail light / light functions

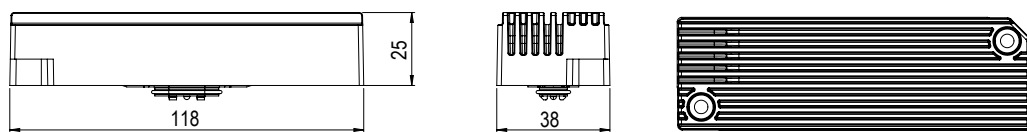
098 298 146



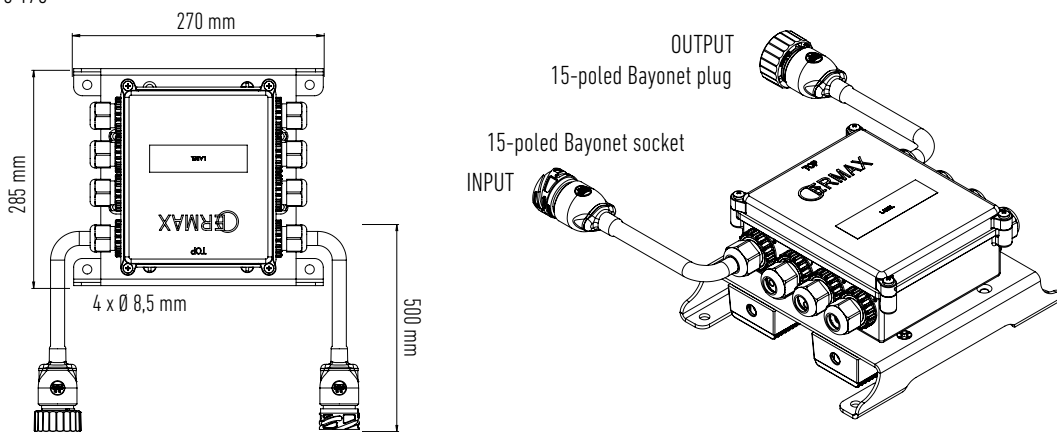
098 298 148



098 298 149



098 298 160 / 098 298 170





## Application overview - Vehicle brands and models

Vehicle-information				Variant of ERMAX LED control unit, which is usable*	
Vehicle brand	Type	Model	ISO13207	LED Control unit Gen. 1.0	LED Control unit Gen. 2.0
DAF	All	-		✓	✓
Iveco	All	-		✓	✓
MAN	F2000	-2000		✓	✓
	L2000	-2000		✓	✓
	M2000	-2000		✓	✓
	TG-A	2000-2007		✓	✓
	TG-L	2005-2017		✓	✓
	TG-L	2017-	✓		✓
	TG-M	2005-2016		✓	✓
	TG-M	2016-	✓		✓
	TG-S	2007-2016		✓	✓
	TG-S	2016-	✓		✓
	TG-X	2007-2016		✓	✓
Mercedes	Actros	1995-2015		✓	✓
	Actros	2015-	✓		✓
	Antos	2012-2016		✓	✓
	Antos	2016-	✓		✓
	Atego	1998-2017		✓	✓
	Atego	2017-	✓		✓
	Arocs	2013-2016		✓	✓
	Arocs	2016-	✓		✓
	Axor	2002-2017		✓	✓
	Axor	2017	✓		✓
	SK	1989-1998		✓	✓
Renault	All	-		✓	✓
Scania	92, 112, 142			✓	✓
	93, 113, 123, 143			✓	✓
	94, 114, 124, 144, 164	1995-2005		✓	✓
	P, R, T Series	2004-2017		LED Control unit not necessary	
	P, R, T Series	2018-	✓		✓
	G-Series	2007-		LED Control unit not necessary	
Volvo	FH I	1993-2012		✓	✓
	FH II	2012-		LED Control unit not necessary	
	FL I	1986-1999		✓	✓
	FL II	1999-2013		✓	✓
	FL II	2013-		LED Control unit not necessary	
	FM I	1998-2001		✓	✓
	FM II	2001-2010		✓	✓
	FM II	2010-		LED Control unit not necessary	



# PLUGS & SOCKETS

---



### Loose plugs



Plug type	Yellow Rubber grommet	Pol	Cable shoe	Red end Position-Rubber grommet	Pos.	Article No.
-----------	-----------------------	-----	------------	---------------------------------	------	-------------

Super Seal plug	Ø 1,8 - 2,4 mm	2	Plug grommet 0,5 - 1,0 mm <sup>2</sup>		1	<b>099 110 019</b> 92.0000.1686
Super Seal socket	Ø 1,8 - 2,4 mm	2	Plug 0,5 - 1,0 mm <sup>2</sup>		2	<b>099 110 018</b> 92.0000.1685
Super Seal plug with blind seals	Ø 1,8 - 2,4 mm	2	10 pcs. pr. plastic bag		3	<b>099 110 024</b> 92.0000.9057
Super Seal plug incl. blanking plug	Ø 1,8 - 2,4 mm	3	Plug grommet 0,5 - 1,0 mm <sup>2</sup>	✓	4	<b>099 111 102</b> 92.0000.1690
Super Seal socket incl. blanking plug	Ø 1,8 - 2,4 mm	3	Plug grommet 0,5 - 1,0 mm <sup>2</sup>	✓	5	<b>099 111 103</b> 92.0000.1691
Super Seal plug	Ø 1,8 - 2,4 mm	4	Plug grommet 0,5 - 1,0 mm <sup>2</sup>	✓	6	<b>099 111 032</b> 92.0000.7567
Super Seal socket	Ø 1,8 - 2,4 mm	4	Plug grommet 0,5 - 1,0 mm <sup>2</sup>	✓	7	<b>099 111 026</b> 92.0000.7566

### Accessories

Rubber grommet for 2 poled Super Seal plug					8	<b>099 110 712</b> 92.0000.1687
Rubber grommet for 3 poled Super Seal plug					9	<b>099 110 713</b> 92.0000.1688
Rubber grommet for 4 poled Super Seal plug					10	<b>099 110 714</b> 92.0000.1689
T-coupling for 2 poled Super seal plug ( 3 sockets)					11	<b>099 111 415</b> 92.0000.1692
Blanking plugs for 2 poled Super Seal socket - black plastic					12	<b>099 110 028</b> 92.0000.0004
Blanking plugs for 2 poled Super Seal plug - black plastic					13	<b>099 110 029</b> 92.0000.0023
Blanking plugs for 3 poled Super Seal plug - black plastic					14	<b>099 110 039</b> 92.0000.7987
Blanking plugs for 15 poled Bajonet socket						<b>099 110 025</b> 92.0000.8191

## Loose plugs & blanking plugs



Plug type	Pol	Rund Plug grommet	Blue* Rubber grommet	White Rubber grommet	Clear Position-Rubber grommet	Pos.	Article No.
AMP 1.5 socket Straight	4	1,0-2,5mm <sup>2</sup>	Ø1,2-2,1 mm (Yellow)			1	<b>099 110 468</b> 92.0000.7746
AMP 1.5 plug Angled	4	0,5-1,0 mm <sup>2</sup>	Ø1,2-2,1 mm (Grey)		✓	2	<b>099 110 469</b> 92.0000.7747
AMP 1,5 plug Straight	7	0,5 - 1,0 mm <sup>2</sup> 1,0 - 2,5 mm <sup>2</sup>	Ø 1,2 - 2,1 mm	Ø 2,2 - 3,0 mm	✓	3	<b>099 111 481</b> 92.0000.1791
AMP 1,5 plug angled	7	0,5 - 1,0 mm <sup>2</sup> 1,0 - 2,5 mm <sup>2</sup>	Ø 1,2 - 2,1 mm	Ø 2,2 - 3,0 mm	✓	4	<b>099 111 485</b> 92.0000.1792
AMP 1,5 socket Straight	7	0,5 - 1,0 mm <sup>2</sup> 1,0 - 2,5 mm <sup>2</sup>	Ø 1,2 - 2,1 mm	Ø 2,2 - 3,0 mm	✓	5	<b>099 111 541</b> 92.0000.6456

### Accessories

Rubber grommet for 7- and 4-poled AMP plug/socket - with cable inlet Ø5,8 mm	6	<b>099 110 715</b> 92.0000.7691
Rubber grommet for 7- and 4-poled AMP plug/socket - With 2 x cable inlets Ø5,8 mm	7	<b>099 110 716</b> 92.0000.7692
Rubber grommet for 7- and 4-poled AMP plug/socket - With 2 x cable inlets - 1 x Ø5,8 mm / 1 x 5,5x3,3 mm for side cable	8	<b>099 110 717</b> 92.0000.7693
Blanking plugs for 7 poled AMP-socket Black plastic	9	<b>099 110 023</b> 92.0000.9279
Blanking plugs for 7 poled AMP plug with bayonet gland Black plastic	10	<b>099 110 026</b> 92.0000.6201
Blanking plugs for 15 pole bayonet socket	11	<b>099 110 025</b> 92.0000.8191

### 7 poled plugs & sockets ISO 1185 N



Pos. 1



Pos. 2



Pos. 3



Pos. 4



Pos. 5

ISO Norm	Plug type	Pol	Material	Flat plug connection	Cable outlet	Pos.	Article No.
----------	-----------	-----	----------	----------------------	--------------	------	-------------

1185	Socket	7	Plastic-housing with Alu-cover	6,3 x 0,8 mm	Rubber seal for cable Ø: 1 x 5,6-9,8 mm, End open 1 x 5,6-9,8 mm, End closed 1 x 5,6 mm, End closed	1	<b>090 257 127</b> 92.0000.6174
1185	Socket	7	Plastic-housing with Alu-cover	Dual Flat plug 6,3 x 0,8 mm	Rubber seal for cable Ø: 1 x 5,6-9,8 mm, End open 1 x 5,6-9,8 mm, End closed 1 x 5,6 mm, End closed	1	<b>090 257 130</b> 92.0000.7869
1185	Socket	7	Aluminum	6,3 x 0,8 mm	Rubber seal for cable Ø 9,5-12,5	2	<b>090 257 134</b> 92.0000.6175
1185	Plug	7	Plastic	6,3 x 0,8 mm	Rubber grommet for cable Ø7 mm	3	<b>090 257 721</b> 92.0000.6178
1185	Plug	7	Aluminum	6,3 x 0,8 mm	Gland and rubber blind	4	<b>090 257 716</b> 92.0000.6176
1185	Plug	7	Aluminum	Schraub Connection	Gland and rubber blind	5	<b>090 257 715</b> 92.0000.7321

### 7 poled plugs & sockets ISO 3731 S



ISO Norm	Plug type	Pol	Material	Flat plug connection	Cable outlet	Pos.	Article No.
3731	Socket	7	Plastic-housing with Alu-cover	6,3 x 0,8 mm	Rubber seal for cable Ø: 1 x 5,6-9,8 mm, End open 1 x 5,6-9,8 mm, End closed 1 x 5,6 mm, End closed	1	<b>090 257 123</b> 92.0000.6173
3731	Socket	7	Plastic-housing with Alu-cover	Dual Flat plug 6,3 x 0,8 mm	Rubber seal for cable Ø: 1 x 5,6-9,8 mm, End open 1 x 5,6-9,8 mm, End closed 1 x 5,6 mm, End closed	1	<b>090 257 131</b> 92.0000.7870
3731	Socket	7	Aluminum	6,3 x 0,8 mm	Rubber seal for cable Ø 9,5-12,5	2	<b>090 257 118</b> 92.0000.7322
3731	Plug	7	Plastic	6,3 x 0,8 mm	Rubber grommet for cable Ø7 mm	3	<b>090 257 725</b> 92.0000.6179
3731	Plug	7	Aluminum	6,3 x 0,8 mm	Gland and rubber blind	4	<b>090 257 719</b> 92.0000.6177
3731	Plug	7	Aluminum	Schraub Connection	Gland and rubber blind	5	<b>090 257 718</b> 92.0000.7322

## 7 poled plugs & sockets ISO 1724



Pos 1



Pos 2



Pos 4



Pos 5



Pos 6

ISO Norm	Plug type	Pol	Material	Connection	Operation voltage	Consumption	Rubber cover	Pos	Article No.
1724	socket	7	Plastic	Screw	12V	20A		1	<b>090 147 328</b> 92.0000.7176
1724	socket	7	Plastic	Flat plug	12V	20A		2	<b>090 147 329</b> 92.0000.7800
1724	Plug	7	Plastic	Screw	12V	20A	✓	4	<b>090 147 727</b> 92.0000.7802
1724	Plug	7	Plastic	Screw	12V	20A		5	<b>090 147 716*</b> 92.0000.7814
1724	Plug	7	Plastic	Screw	12V	20A	✓	6	<b>090 147 717</b> 92.0000.7801

### Spare parts

Flat flange gasket for socket 090 147 328/329

**090 147 912**

Socket holder

**090 147 939**

\* 090 147 716 – with cable gland + rubber grommet for one or two cables



## 15 poled plugs & sockets ISO 12098



Pos. 1



Pos. 2



Pos. 3



Pos. 4



Pos. 5



Pos. 6



ISO Norm	Plug type	Pol	Material	Cable gland	Crimp Contact	Pos.	Article No.
12098	socket	15	Plastic	For cable Ø 12,0-18,0 mm	3 x 2,5 mm <sup>2</sup> 12 x 1,0 - 1,5 mm <sup>2</sup>	1	<b>090 265 404</b> 92.0000.6180
12098	socket	15	Plastic	For cable Ø 12,0-18,0 mm	3 x 2,5 mm <sup>2</sup> 12 x 1,0 - 1,5 mm <sup>2</sup>	2	<b>090 265 405</b> 92.0000.6181
12098	Plug	15	Plastic	For cable Ø 12,0-18,0 mm	3 x 2,5 mm <sup>2</sup> 12 x 1,0 - 1,5 mm <sup>2</sup>	3	<b>090 265 606</b> 92.0000.6182
12098	socket	15	Plastic	For cable Ø 7,0-12,0 mm	Screw-connection	1	<b>090 265 407</b> 92.0000.7371
12098	Plug	15	Plastic	For cable Ø 12,0-18,0 + 7,0-12,0 mm	Screw-connection	3	<b>090 265 608</b> 92.0000.7372

### Accessories / Spare parts

Contact (Male) for socket , crimping. 1,0 mm <sup>2</sup> - 1,5 mm <sup>2</sup> - ISO 4091 / 7638/ 12098	4	<b>090 190 181</b> 92.0000.9192
Contact (Male) for socket, crimping 2,5 mm <sup>2</sup> - ISO 4091 / 7638/ 12098	4	<b>090 190 182</b> 92.0000.9193
Contact (Male) for socket, crimping 4,0 mm <sup>2</sup> - ISO 4091 / 7638/ 12098	4	<b>090 190 184</b> 92.0000.9194
Contact (Male) for socket, crimping 6,0 mm <sup>2</sup> - ISO 4091 / 7638/ 12098	4	<b>090 190 186</b> 92.0000.9195
Contact for plug (female), crimping. 1,0 mm <sup>2</sup> - 1,5 mm <sup>2</sup> - ISO 4091 / 7638/ 12098	5	<b>090 190 191</b> 92.0000.9196
Contact for plug (female), crimping. 2,5 mm <sup>2</sup> - ISO 4091 / 7638/ 12098	5	<b>090 190 192</b> 92.0000.9197
Contact for plug (female), crimping. 4,0 mm <sup>2</sup> - ISO 4091 / 7638/ 12098	5	<b>090 190 194</b> 92.0000.9198
Contact for plug (female), crimping. 6,0 mm <sup>2</sup> - ISO 4091 / 7638/ 12098	5	<b>090 190 196</b> 92.0000.9199
Mounting angle for ABS socket	6	<b>090 198 918</b> 92.0000.8153

### 14 poled plugs & sockets VBG



Pos. 1



Pos. 2



Pos. 3

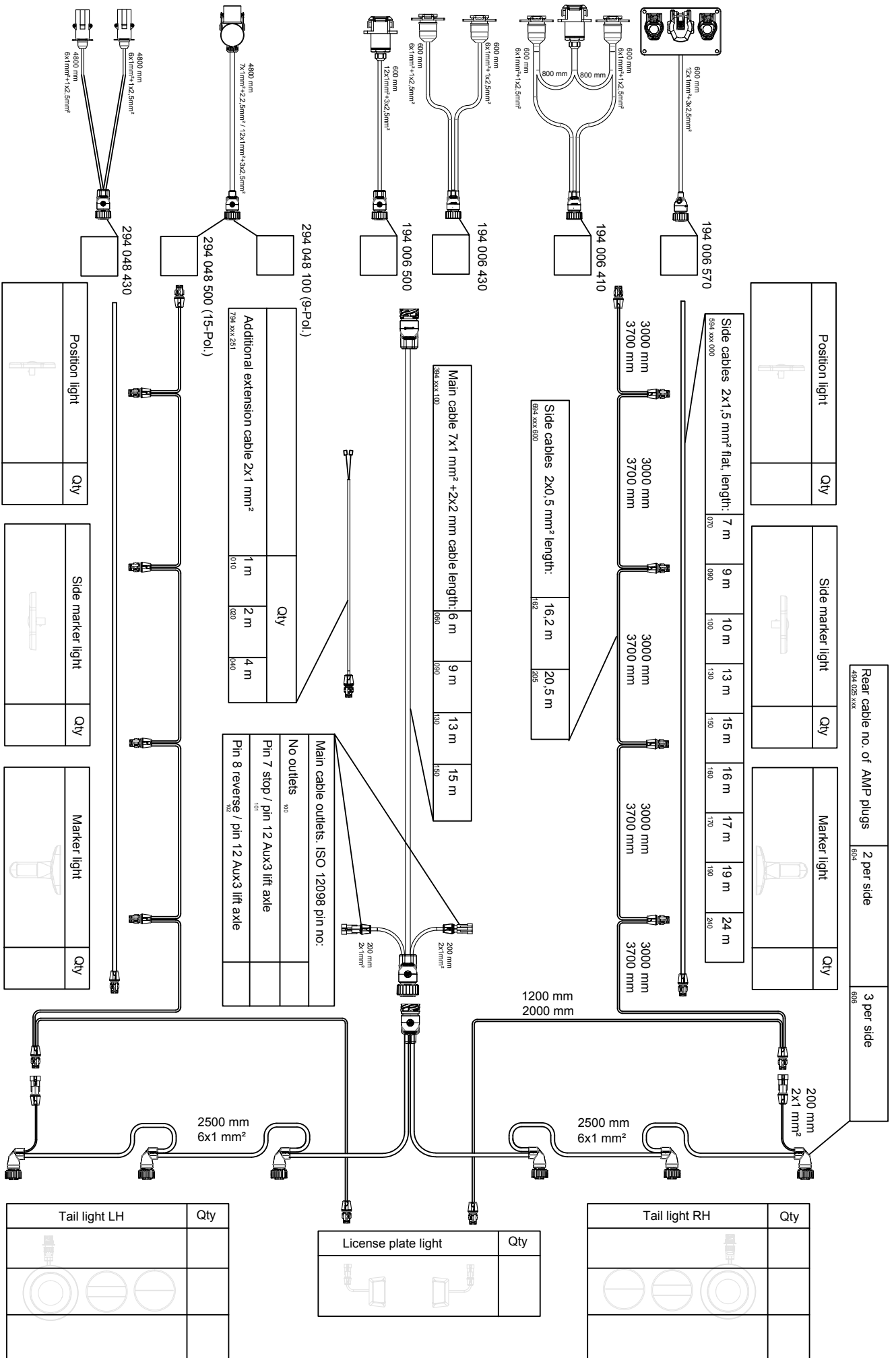
SAL	Plug type	Pol	Material	Cable gland	Crimp Contact	Pos.	Article No.
--	Socket	14	Plastic	For cable Ø 10,5-15,0 mm	Pin 1 & 2 - 9,5 mm 2 5A Einzelpin - 6,5 mm 15 A Doppelpin - 6,5 mm 15 A	1	<b>090 166 290</b> 92.0000.6180
--	Plug	14	Plastic	For cable Ø 10,5-15,0 mm	Pin 1 & 2 - 9,5 mm 2 5A Einzelpin - 6,5 mm 15 A Doppelpin - 6,5 mm 15 A	2	<b>090 166 360</b> 92.0000.6653
SAL	Plug	14	Plastic	For cable Ø 10,5-15,0 mm	Pin 1 & 2 - 9,5 mm 2 5A Einzelpin - 6,5 mm 15 A Doppelpin - 6,5 mm 15 A	3	<b>090 166 361</b> 92.0000.6654

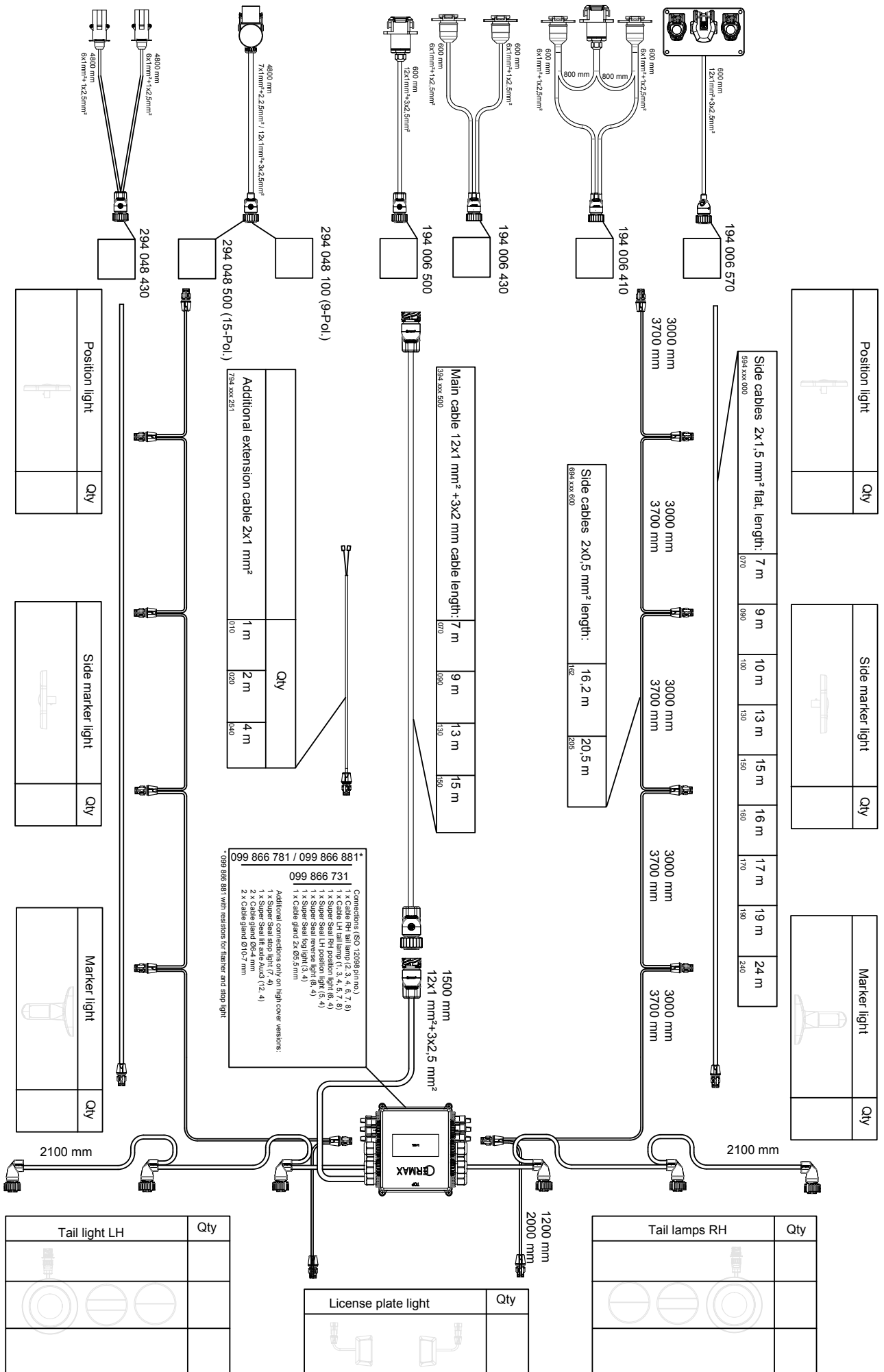
# CONFIGURATION

---

Complete lighting systems

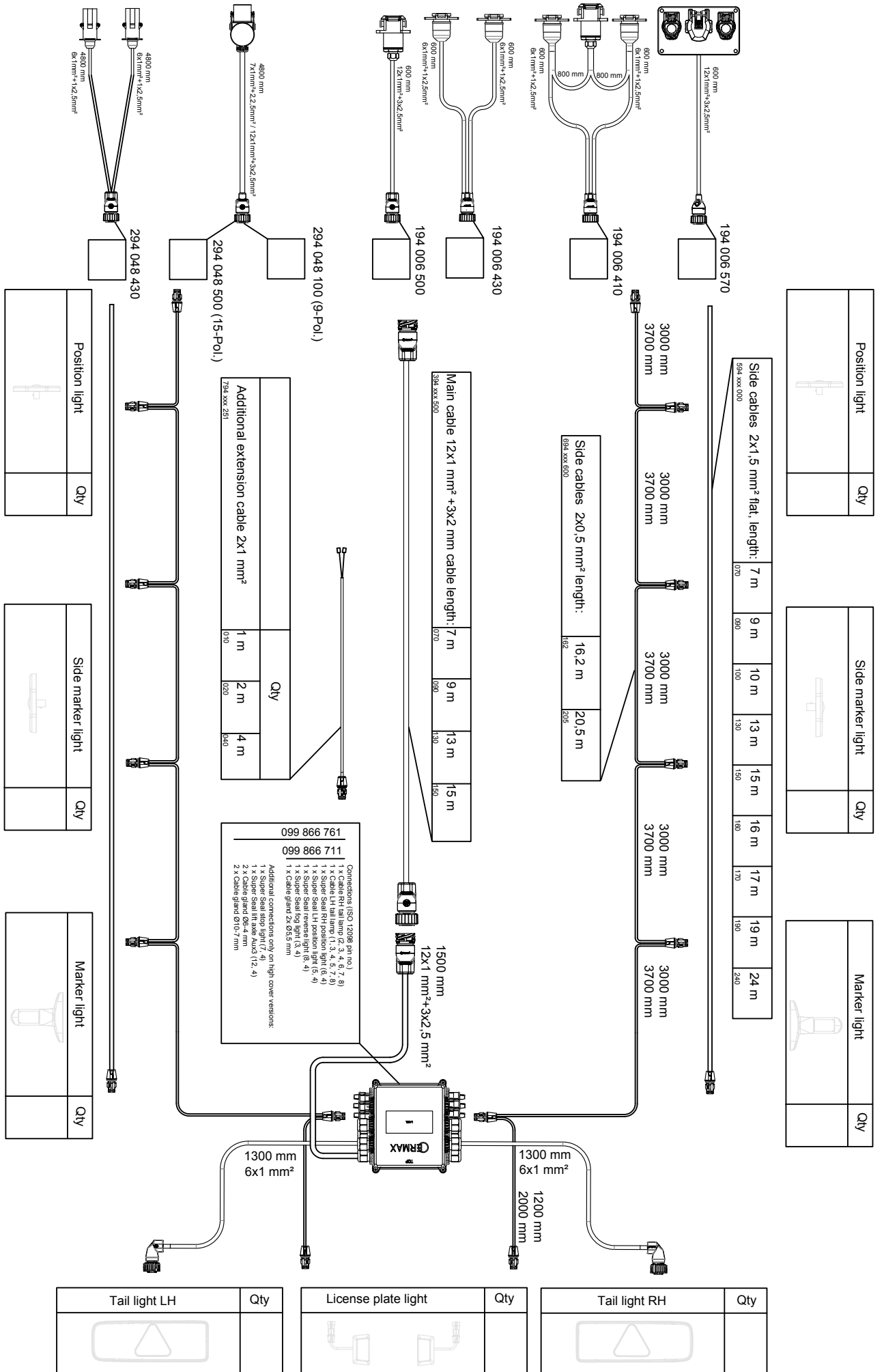




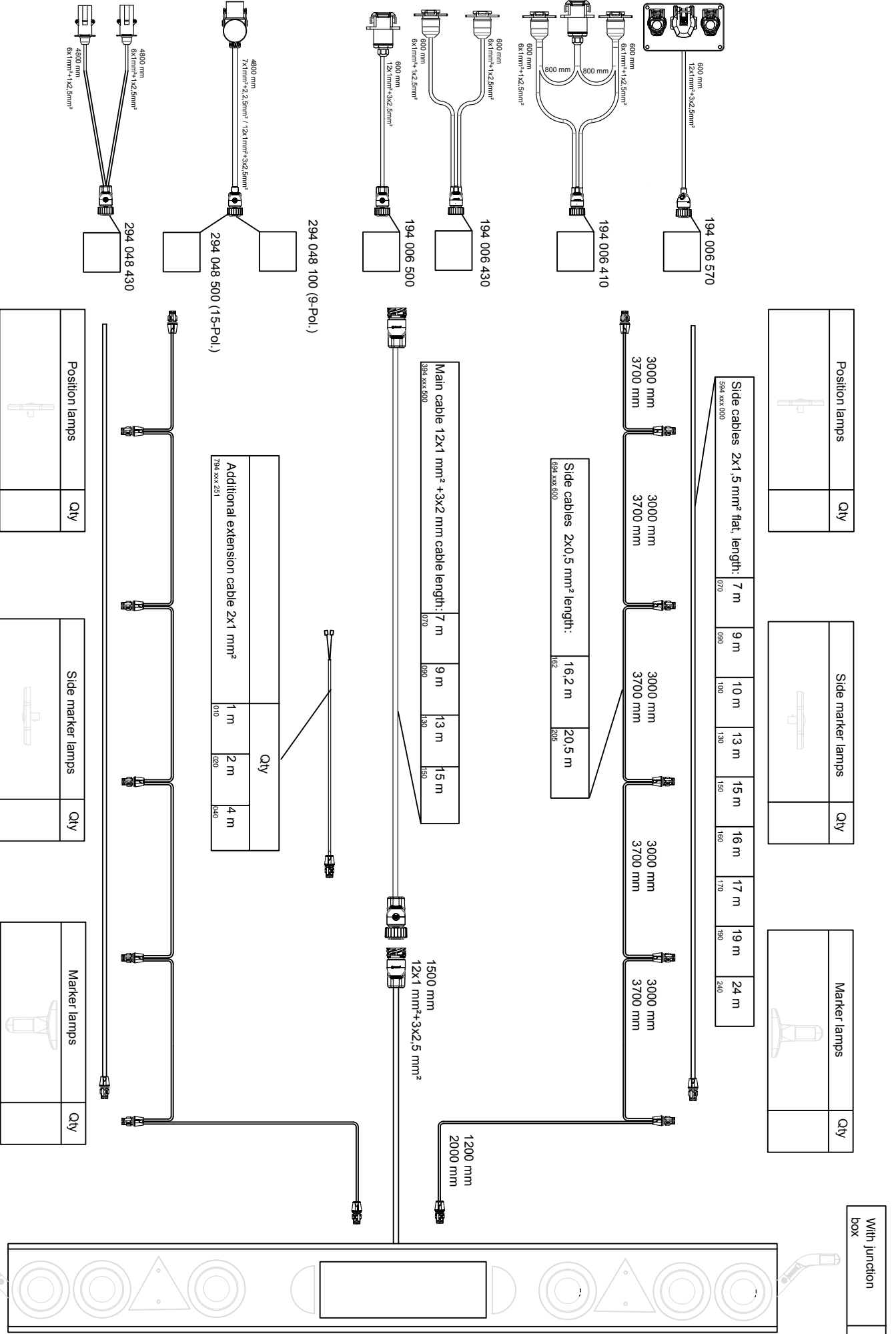


With Simac unit for flashing side marker light.  
 (Final drawing will be corrected with LH+RH outputs on front connection)





With Simrac unit for flashing side marker light.  
(Final drawing will be corrected with LH+RH outputs on front connection)







Brands of the BPW Group:



**ERMAX**®

**HBN-Teknik** A/S

**HESTAL**®

**idem**  
telematics

June 2023 • Version 8.0

**ERMAX**®

ERMAX A/S  
Vranderupvej 2 • DK-6000 Kolding  
Tel. +45 3969 6800 • [www.ermax.dk](http://www.ermax.dk)