



LED Work Lights in thermally conductive plastic

Innovative design and highest quality

LED work light in thermally conductive plastic

Small, compact and highly durable

Developed for highly corrosive environments

Welcome to the new family member in the ERMAX rear- and work light range. A new work light with the same compact design as the current well-known ERMAX work light range with aluminium housing, but now upgraded with a housing made of heat-transporting composite plastic. A feature that makes it highly suitable for use in corrosive environments.

The ERMAX work light range fulfils the highest demands for quality, functionality and reliability. The innovative LED technology ensures a long life-time, energy efficiency and high capacity – with maintenance and standstill times all reduced to a minimum.

ERMAX work lights are suitable for all applications, where efficient high-quality light is essential for working productively and safely – day and night – even for extended periods.

The material used fulfils all demands for high stability and impact-resistance against shock, vibration, dirt and moisture.

High quality and suitable for demanding tasks.

ERMAX work lights – why ?

1 Strong lens – unbeatable

Strong, impact-resistant lens made of polycarbonate moulded into the housing.

2 Clear lens

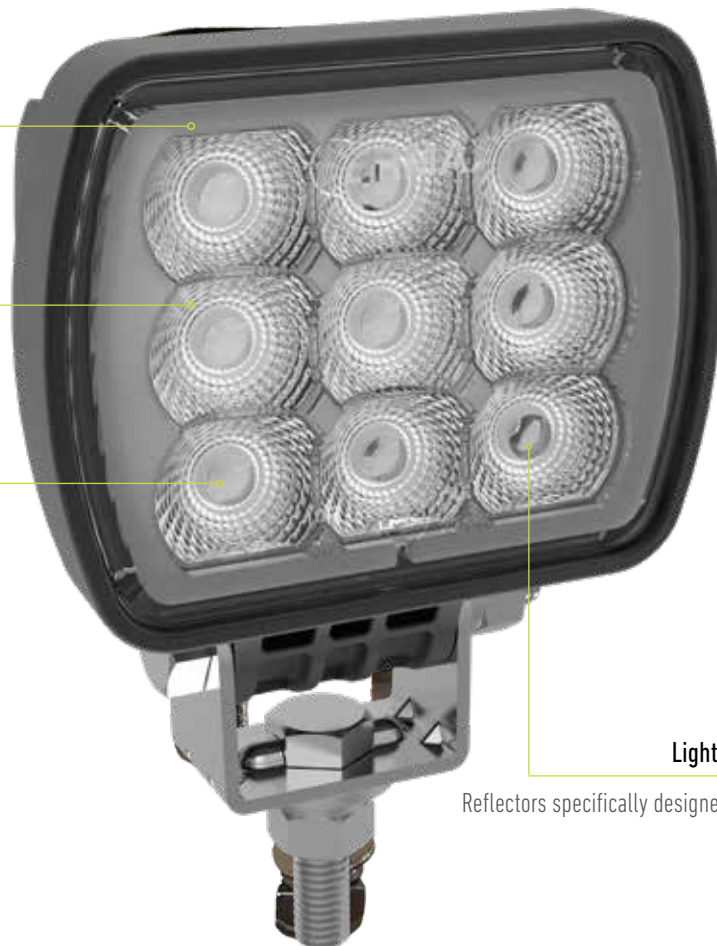
Less loss between the theoretical and effective lumen due to the clear lens.

3 High Power LEDs

Long-life LED technology – LEDs with extremely long life-times of up to 50,000 hours.

4 Usable everywhere

Compact design means lots of flexibility in the field for mounting options.



Light distribution 5

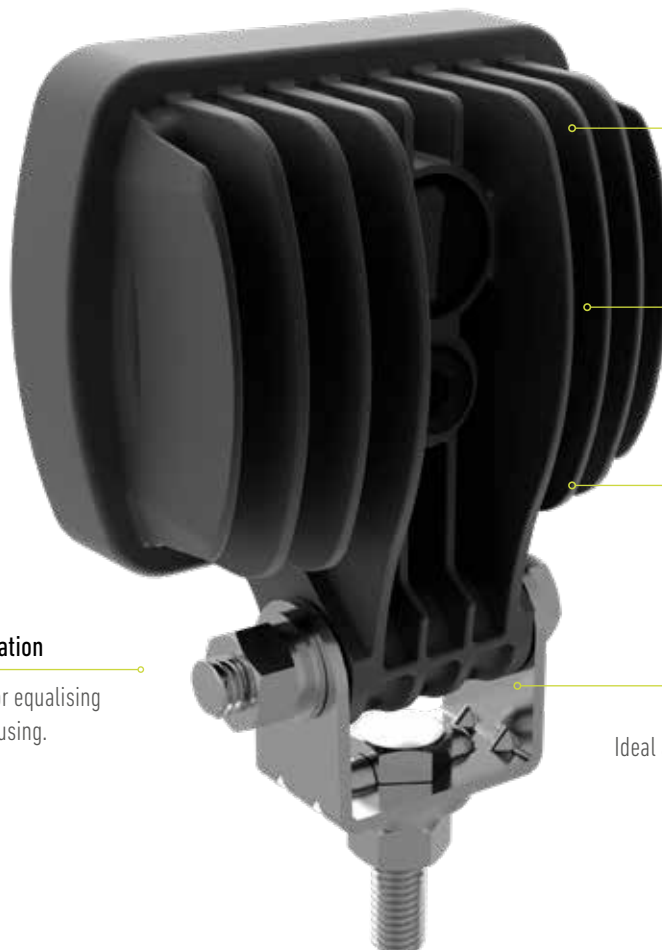
Reflectors specifically designed to optimise brightness.

Modern light and LED technology

Work safer and more productively in clear light

Highlights

- Innovative development, design and the highest product quality
- The most modern light and LED technology – high light performance and homogeneous distribution
- Strong polycarbonate impact-resistant lens
- Less loss between theoretical and effective lumen due to the clear lens
- Compact design – can be mounted and used anywhere
- Can be used as reversing light (ECE -R23) with 30° angling on vertical mounting
- High light output and homogeneous light distribution
- Unsurpassed durability and first-class tested OEM quality



6 Pressure equalisation
 Integrated valve for equalising pressure in the housing.

7 Thermally conductive plastic
 Housing made of heat-transporting composite plastic - suitable for use in corrosive environments.

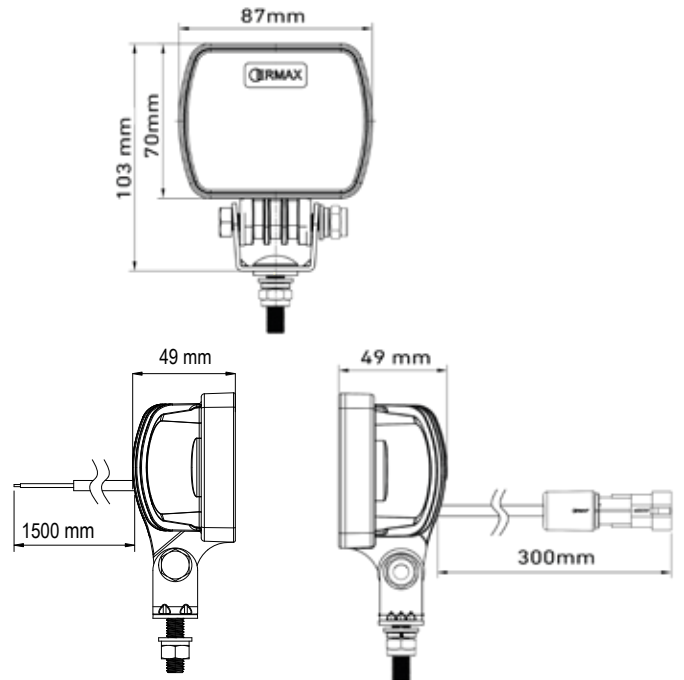
8 Effective heat dispersal
 Surplus heat from the LEDs will be efficiently dispersed due to their position.

9 Overheating and reverse polarity protection
 Protected against overheating and reverse polarity.

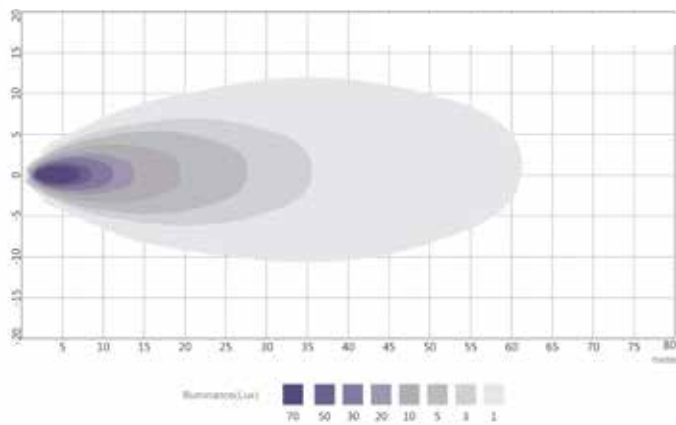
10 Bracket of steel AISI 304 quality
 Austenitic, acid-resistant steel. Ideal as a bracket thanks to multiple configuration options.

LED Work Lights – Housing made of thermally conductive plastic

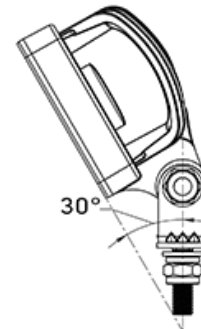
Theoretical Lumen: 1,600



Illumination



Bird's eye view 1.2 metres above the ground with an incline angle of 5°



Approved as reversing light
- with 30° tilt when vertically-mounted

- Particularly suitable for use in highly corrosive environment
- Housing material: Thermally conductive plastic



Voltage	Consumption	Connection	Cable length	Light source	Lumen, theoretical/effective	Light pattern	Article no.
12/24 V	16 W	Open end	1,500 mm	9 x high power LEDs	1,600/1,200	Flood	098 174 290
12/24 V	16 W	Super Seal plug	6,000 mm	9 x high power LEDs	1,600/1,200	Flood	098 174 293
12/24 V	16 W	Super Seal socket	300 mm	9 x high power LEDs	1,600/1,200	Flood	098 174 295
12/24 V	16 W	Integrated Deutsch (DT2) socket	--	9 x high power LEDs	1,600/1,200	Flood	098 174 297

A supplement to a strong family

Variants with aluminium housing

LED Reversing light 098 256 25x

Lumen 650

Lens: Impact-resistant Polycarbonate

Housing: Aluminium

Connection: Open-end,
Super Seal socket/plug



LED work lights 098 174 25x

Lumen 800

Lens: Impact-resistant Polycarbonate

Housing: Aluminium

Connection: Open-end,
Super Seal socket/plug



LED work lights 098 174 26x

Lumen 1,600

Lens: Impact-resistant Polycarbonate

Housing: Aluminium

Connection: Open-end, Super Seal socket/plug,
Deutsch DT2 socket

* Approved as reversing light (ECE-R23) with 30° tilt vertically-mounted



LED work lights 098 174 27x

Lumen 2,400

Lens: Impact-resistant Polycarbonate

Housing: Aluminium

Connection: Open-end, Super Seal socket/plug,
Deutsch DT2 socket

* Approved as reversing light (ECE-R23) with 35° tilt vertically-mounted



This type is also available with handle and on/off switch.

LED work lights 098 174 28x

Lumen 3,200

Lens: Impact-resistant Polycarbonate

Housing: Aluminium

Connection: Super Seal socket, Deutsch DT2 socket



Technical specifications – common to all variants

- Impact-resistant lens made of polycarbonate
- Housing made of aluminium, painted black (anti-corrosion layers)
- Housing made of composite plastic – heat-transporting *
- Mounting bolts M8/30 mm
- Mounting bracket made of stainless steel, AISI 304 quality
- Temperature range -40 °C to +65 °C
- Floodlight pattern
- Colour temperature 6,500 0Kelvin
- IP Rating IP69K
- Overheating and reverse polarity protection
- ADR and EMC/R10 approved
- ECE-R23 approved (098 174 26* and 098 174 27*)

* 098 174 29x range only

ERMAX Work Lights – suitable for every application

Commercial, agriculture & forestry and off-road vehicles

ERMAX work lights are suitable for all applications where efficient high-quality light is essential for working productively and safely – day and night – even for extended periods.



Trucks and special vehicles

Work is often done in darkness, when safety requires a well-illuminated working area.



Trailers

Work lights are often mounted at the front, at the back or on the side of a trailer to ensure maximum safety when loading and unloading.



Agricultural and forestry

Work is often interrupted and can last for many hours – day and night – the working area must be illuminated in the best possible way.



Off-road

Tough working conditions demand good lighting – with long life and highest light performance.

Easy installation and adjustment of cable length

Various connection options

ERMAX work lights are available with various connection options: connection cable with Open-end, Super Seal socket/plug or Deutsch (DT2) socket integrated into the light.

For variants with Super Seal socket or plug, Ermax always offers a standard cable length of 300 millimetres to the first plug connection. Cable length can be adjusted to requirement by a standard extension cable or adapter cable. This ensures optimum ease of maintenance.

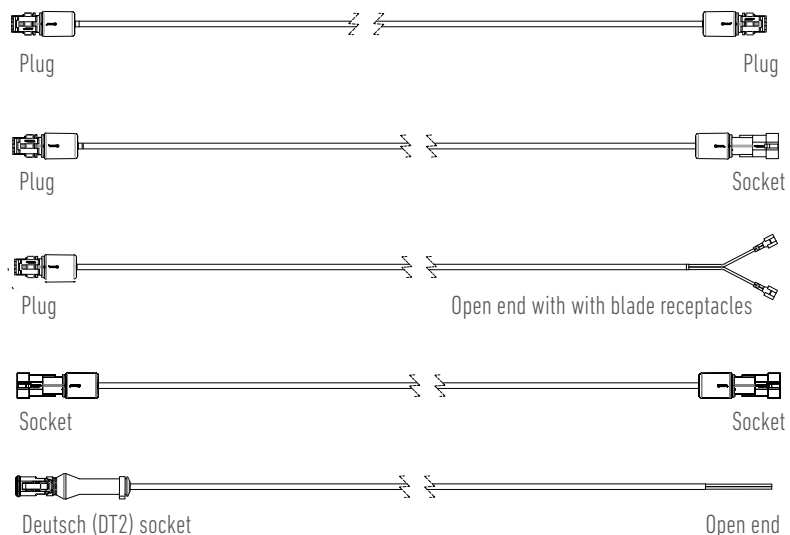
The large variety of cable solutions ensures the best installation without having to adjust cable length.

Connection/extension options

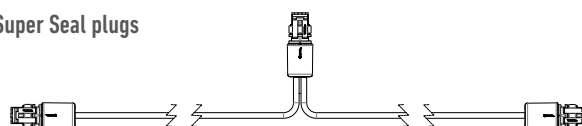


Connection:
 Super Seal socket
 Super Seal plug
 Deutsch socket (DT2)

Extension cable with Super Seal connection

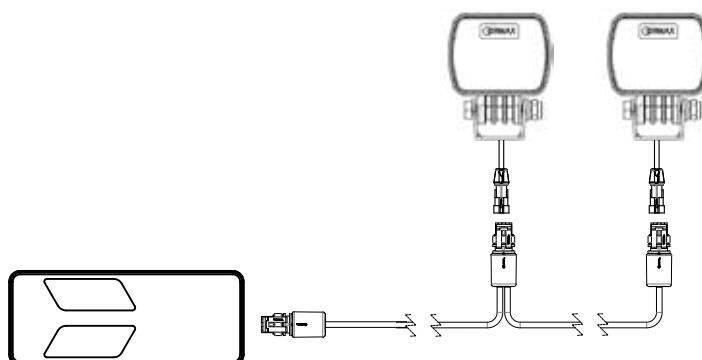


Y-Adapter with 3 x Super Seal plugs



Reversing light connected in series

- connected by a side cable with 1 inlet and 2 outlets with Super Seal plugs



2 x ERMAX reversing or work lights can be connected to an ERMAX tail light (max. 52 W)

Brands of the BPW Group:



January 2023 • Version 1.0



ERMAX A/S
Vranderupvej 2 • DK-6000 Kolding
Tel. +45 3969 6800 • www.ermak.dk