



WIDE LOAD MARKER SIGNS

Standardised Security

WIDE LOAD MARKER SIGN - Complete Kit-Set

Standardised Security

ERMAX have 2 Series of wide load marker sign kits making it possible to deliver standardised solutions covering almost every need. One Proff series and one ADR series.

The wide load marker signs – built of standard parts from the Ermax programme – are easy to mount and connect, and secure a simple operation and operational reliability in the daily work.

Both series are built up with a galvanized holder and a square pipe for fastening at the vehicle. The wide load marker sign is mounted with 3 flexible outer end marker lights with red, white and orange light. The lights are made of rubber and the LED-light-module is made of impact resistant polycarbonate which resists a tough environment and handling in the daily work.

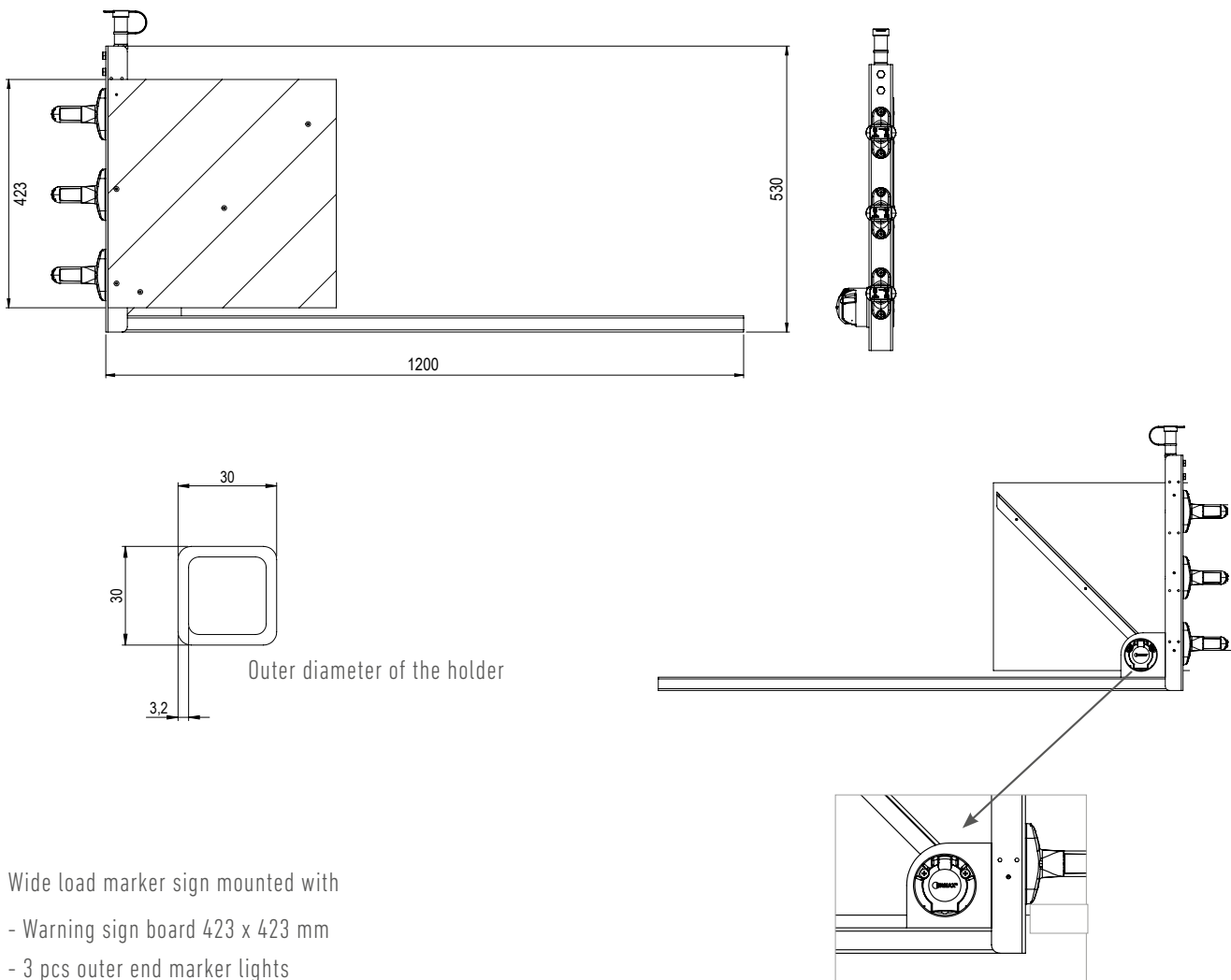
The Proff series has a pipe piece (ISO 72591) for mounting and connecting of the warning light. The connection to the wide load marker signs are made by means of a 7-poled ISO 1724 socket. Thus, a standard coil cable ISO 1724 (e.g. Ermax article number 090 180 165) can be used for connection at the vehicle. It is a commercially available cable and not a special cable, which means that defective or approaching cables can be replaced quickly = shorter service life in case of defects.

The ADR series is connected by means of a Super Seal plug, and the series is thus ADR approved in its basis configuration. Only the mounting of the warning light – due to the open plugs in the appurtenant connecting pipe – cannot be ADR approved.

For this series a coil cable (e.g. article number 994 030 300) can be used, which is connected to a corresponding Super Seal connection at the vehicle, which opens the possibility for mounting of further lights.



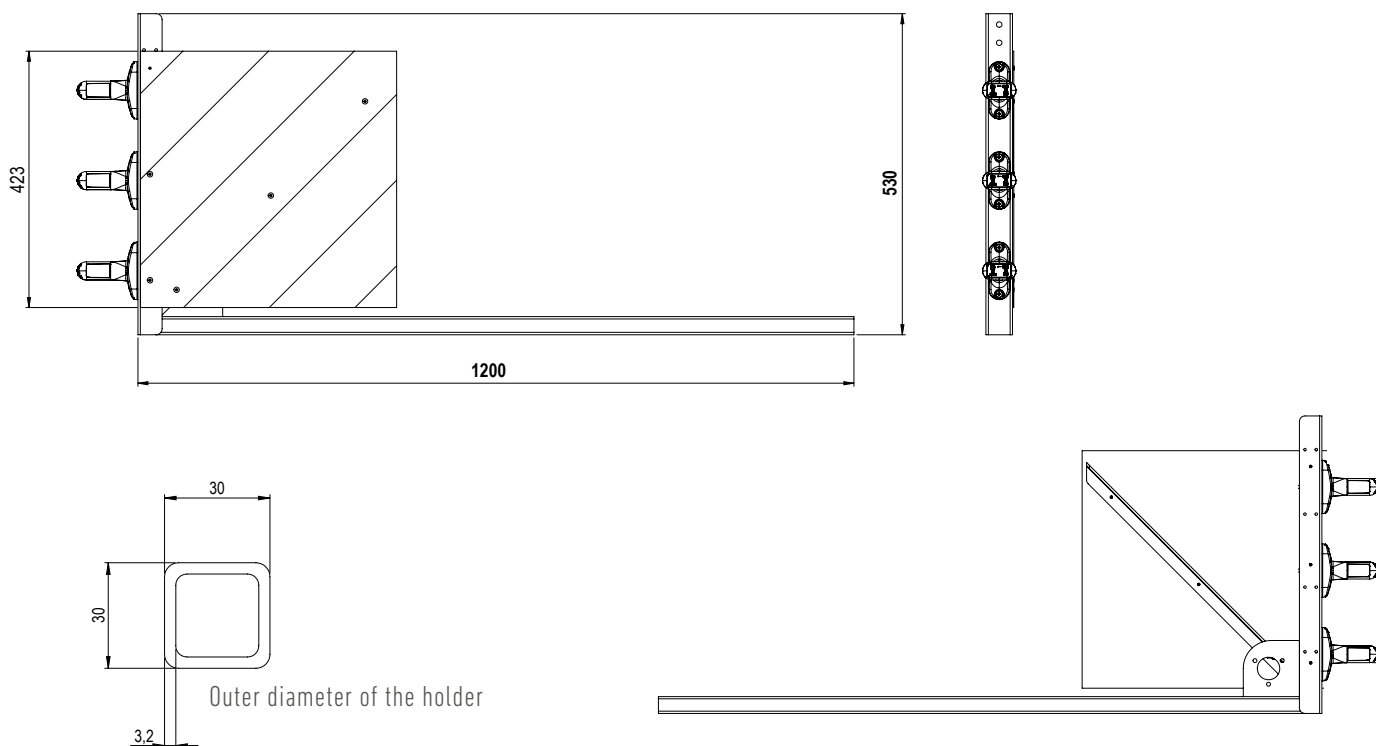
Wide load marker signs - Proff Series
 - with 7 poled ISO 1724 connection or 3 poled connection



- Wide load marker sign mounted with
- Warning sign board 423 x 423 mm
 - 3 pcs outer end marker lights
 - Mounting bracket for warning beacons
 - Plug connection through ISO1724 socket

Placement	Dimension (L x B)	Material	Connection	Article No.	Connection	Article No.
Rear - left	1.200 x 530 mm	Hot-galvanized	7 poled socket ISO 1724	098 269 800	3 poled socket	098 269 801
Rear - right	1.200 x 530 mm	Hot-galvanized	7 poled socket ISO 1724	098 269 805	3 poled socket	098 269 806
Front - left	1.200 x 530 mm	Hot-galvanized	7 poled socket ISO 1724	098 269 810	3 poled socket	098 269 811
Front - right	1.200 x 530 mm	Hot-galvanized	7 poled socket ISO 1724	098 269 815	3 poled socket	098 269 816
Complete set consisting of the above 4 Wide load marker signs				098 269 820		098 269 821

Wide load marker signs - ADR Series



Wide load marker sign mounted with

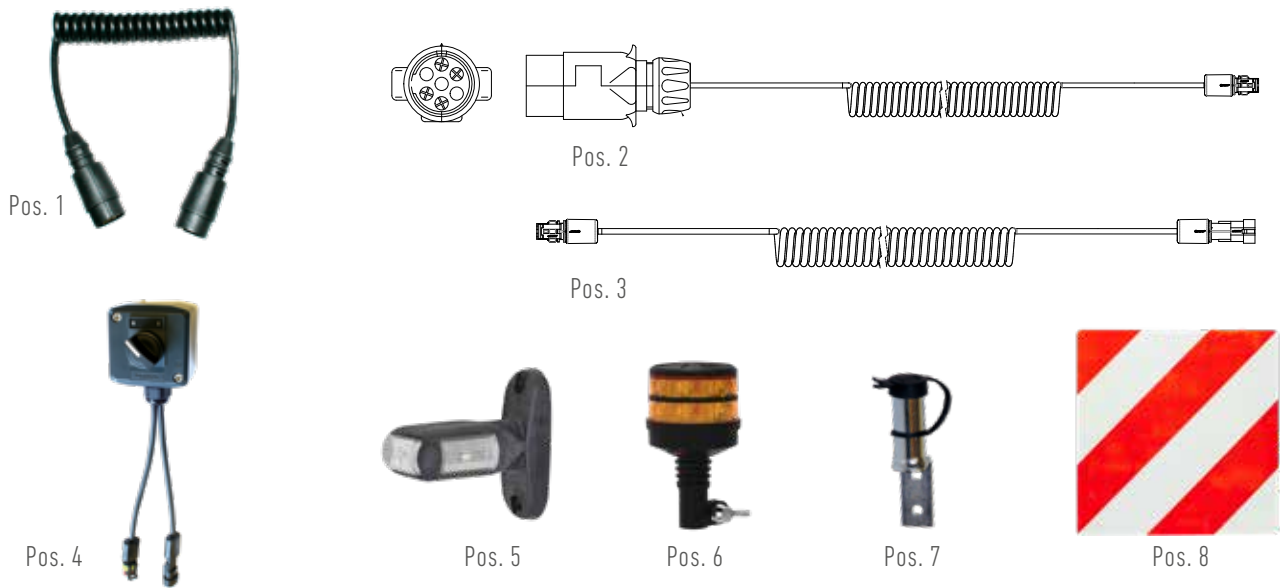
- Warning sign board 423 x 423 mm
- 3 pcs outer end marker lights
- Connection with Super Seal socket

Placement	Dimension (L x B)	Material	Connection	Article No.
Rear - left	1.200 x 530 mm	Hot-galvanized	Super Seal socket	098 269 830
Rear - right	1.200 x 530 mm	Hot-galvanized	Super Seal socket	098 269 835
Front - left	1.200 x 530 mm	Hot-galvanized	Super Seal socket	098 269 840
Front - right	1.200 x 530 mm	Hot-galvanized	Super Seal socket	098 269 845

Complete kit of 4 Wide load marker signs consisting of 098 269 830 + 835 + 840 + 845

098 269 850

Wide load marker signs - Spare parts (S) & Accessories (A)

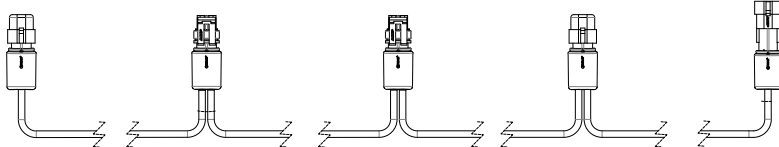
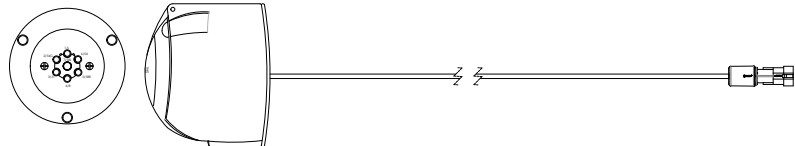
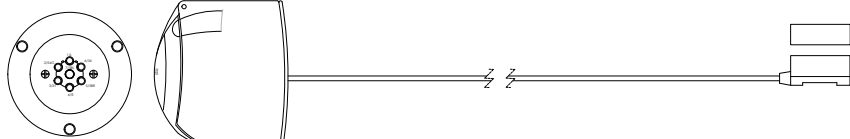


Proff Series	S / A	Pos.	
Coil cable 2x7 poled 1.500 mm - with ISO 1724 plug > ISO 1724 plug	A	1	090 180 165
Coil cable 3 core 1.500 mm - with 7 pole ISO 1724 plug > Super Seal plug	A	2	994 015 335
Coil cable 3 core 3.000 mm - with 7 pole ISO 1724 plug > Super Seal plug	A	2	994 030 335
On/off switch with 2x200 mm connection cable with Super Seal socket > plug	A	4	992 942 150
LED outer end marker - with 300 mm connection cable with Super Seal plug	S	5	098 241 218
Warning light LED 12-24V with for mounting bushes (see section with warning lights)	S	6	098 287 285
Mounting bracket, angled (no ADR approval)	S	7	098 295 562
Warning sign board - DIN 30710 one-sided aluminum, dimension: 423 x 423 (Right)	S	8	098 269 124
Warning sign board - DIN 30710 one-sided aluminum, dimension: 423 x 423 (Left)	S	8	098 269 126

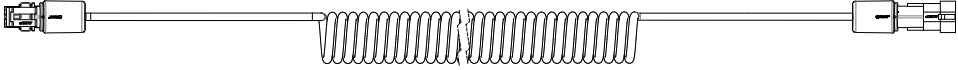
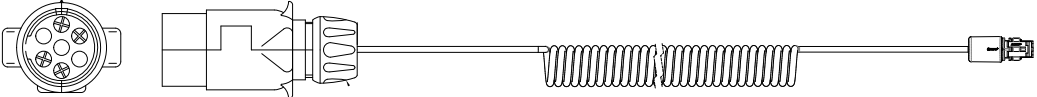



Spare parts for ISO 1724 plug - see the section with plugs & sockets

ADR Series	S / A	Pos.	
Coil cable 2 poled 3.000 mm - with Super Seal plug > Super Seal socket	A	3	994 030 300
On / off switch with 2x200 mm connection cable with Super Seal socket > plug	A	4	992 942 150
LED outer end marker - with 300 mm connection cable with Super Seal plug	S	5	098 241 218
Warning light LED 12-24V with for mounting bushes (see section with warning lights)	A	6	098 287 285
Mounting bracket, angled (no ADR approval)	A	7	098 295 562
Warning sign board - DIN 30710 one-sided aluminum, dimension: 423 x 423 (Right)	S	8	098 269 124
Warning sign board - DIN 30710 one-sided aluminum, dimension: 423 x 423 (Left)	S	8	098 269 126



Application/ Description	Article No.
<p>Side cable, chain</p> <p>1 x inlet with Super Seal socket and 4 x outlet with Super Seal plug Conductor cross-section: 2x1 mm² Cable type: FLRYY / PVC.</p> <p>800 mm distance between plugs: 200 mm</p> 	<p>694 008 401</p>
<p>Connection cable</p> <p>Socket 7 core ISO 1724 > Super Seal socket, 2 core Conductor cross-section: 2x1mm² Cable type: FLRYY / PVC Outlets on 7 core plug:</p> <p>1.500 mm, 2 core Ground (pin L/1), R. Pos.(pin 58R/5), L. Pos. (pin 58L/7)</p> <p>1.500 mm, 2 core Ground (pin 31/3), R. Pos.(pin 58R/5), L. Pos. (pin 58L/7)</p> 	<p>994 015 245</p> <p>994 015 240</p>
<p>Connection cable</p> <p>Socket 7 core ISO 1724 > Click-In adapter, 2 core Conductor cross-section: 2x1mm² Cable type: FLRYY / PVC Outlets on 7 pole socket: Ground (pin 31/3), RH. Pos. (pin 58R/5), LH. Pos (pin 58L/7)</p> <p>1.500 mm, 2 core Ground (pin L/1), R. Pos.(pin 58R/5), L. Pos. (pin 58L/7)</p> <p>1.500 mm, 2 core Ground (pin 31/3), R. Pos.(pin 58R/5), L. Pos. (pin 58L/7)</p> 	<p>994 015 275</p> <p>994 015 270</p>

Wide load marker signs - Accessories

	Application/ Description	Article No.
	<p>Coil cable, 2 poled</p> <p>Super Seal plug, 2 core > Super Seal socket, 2 core Conductor cross-section: $3 \times 1 \text{ mm}^2$ Pin 2(+) connected to 2 cores in the coil cables Number of coils: 64</p> <p>1.500 mm - 2 core</p> <p>3.000 mm - 2 core</p>	<p>994 015 300</p> <p>994 030 300</p>
		
	<p>Coil cable, 3 poled</p> <p>Plug 7 core ISO 1724 > Super Seal plug, 2 core Conductor cross-section: $3 \times 1 \text{ mm}^2$ Number of coils: 64</p> <p>3.000 mm - Outlets on 7 core plug: Ground (pin L/1), R. pos. (pin 58R/5), L. pos. (pin 58L/7)</p> <p>1.500 mm - outlets on 7 core plug: Ground (pin 31/3), R. Pos. (pin 58R/5), L. Pos. (pin 58L/7)</p> <p>3.000 mm - Outlets on 7 core plug: Ground (pin 31/3), R. Pos. (pin 58R/5), L. Pos. (pin 58L/7).</p>	<p>994 030 330</p> <p>994 015 335</p> <p>994 030 335</p>
		
	<p>Coil cable 2x7 poled ISO 1724 - 12V</p> <p>with ISO1724 Plug > ISO1724 Plug Conductor cross-section: $6 \times 1,0 \text{ mm}^2 + 1 \times 1,5 \text{ mm}^2$</p> <p>1.500 mm</p> <p>7 core</p>	<p>090 180 165</p>
	<p>On / off switch</p> <p>2 x 200 mm Connection cable with Super Seal socket > plug</p>	<p>992 942 150</p>
		

Brands of the BPW Group:



September 2023 • Version 2.2



ERMAX A/S
Vranderupvej 2 • DK-6000 Kolding
Tel. +45 3969 6800 • www.ermx.dk