



TM12 LED TAIL LIGHT

Compact and modern design

Unique design – and rather cool

Modern technology and design combined

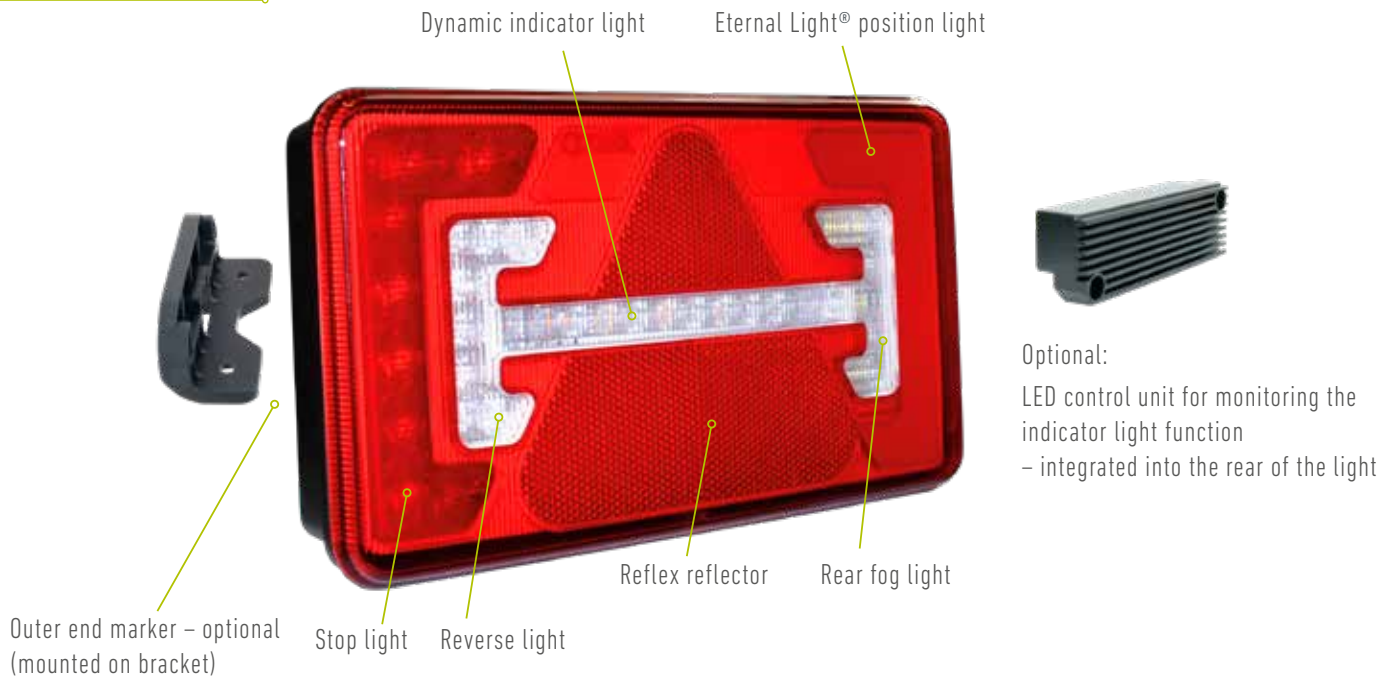
ERMAX TM12 LED tail light is the market's most compact tail light with a built-in LED control unit. The design is based on the newest light and LED technology, and meets the toughest standards in terms of technique, quality and functionality.

The TM12 tail light is developed with 100% LED technology and with a unique, harmonious design – with white optics on the rear fog light function as well as a long modern, dynamic indicator light. Likewise, the Eternal Light® technology is used in the TM12 tail light, whereby a soft, homogeneous and traffic-safe light-picture is obtained.

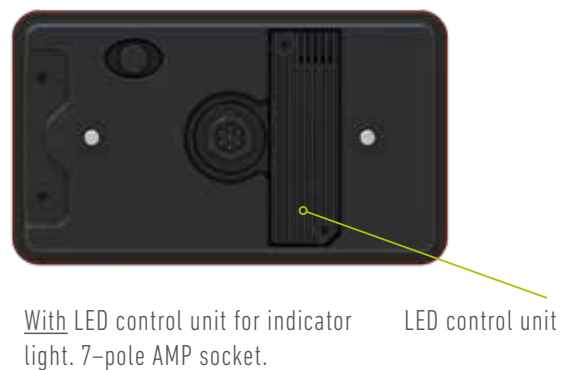
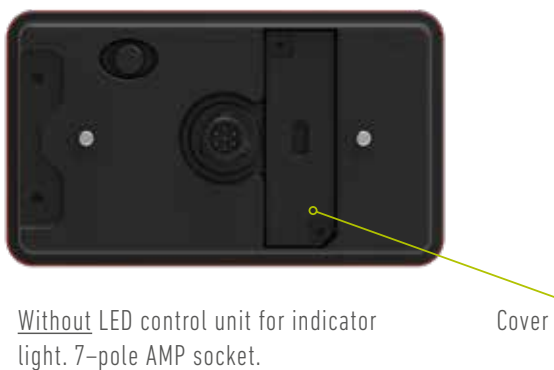
Due to the compact size, the TM12 tail light is particularly suitable for vehicles with limited mounting or installation space.



TM12 – left tail light



Rear variants



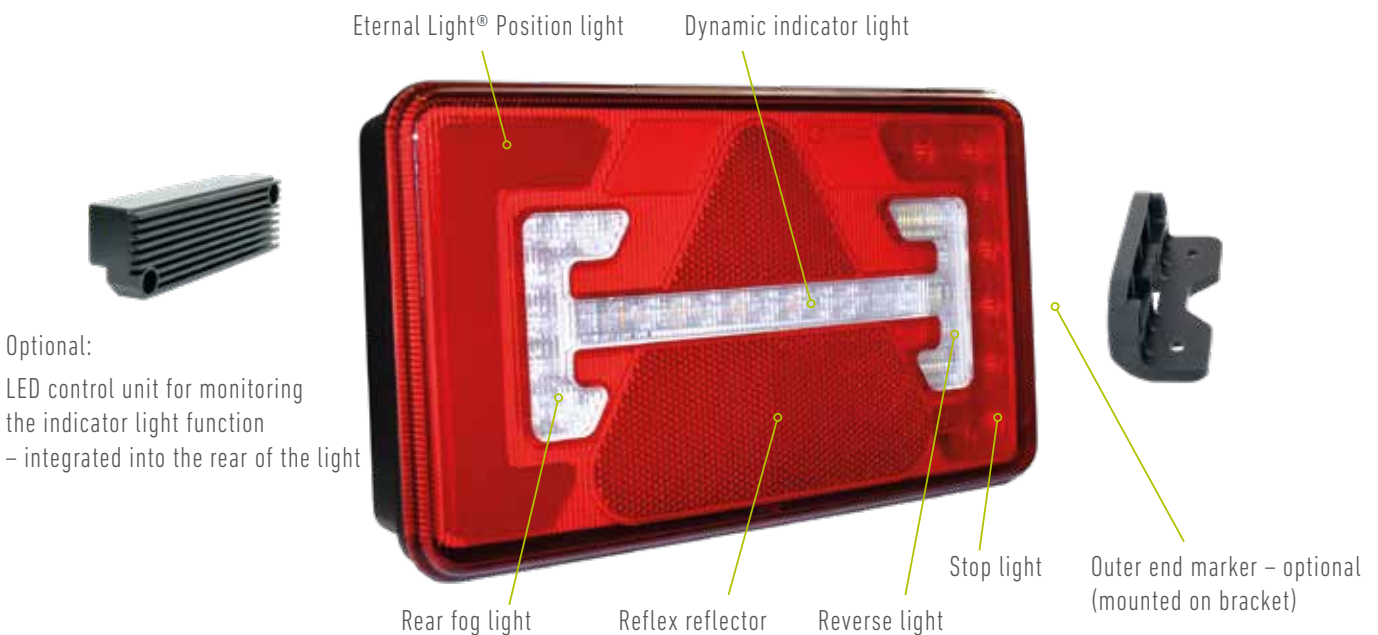
Compact rear light with integrated control unit

Solves many challenges

Highlights

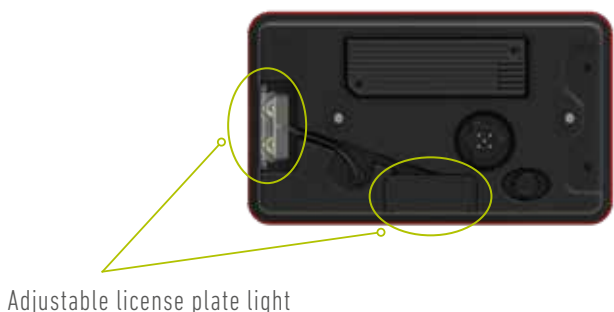
- Housing and lens made of highly resistant polycarbonate
- ERMAX patented position light – Eternal Light® – for optimum traffic safety
- Dynamic indicator light
- Integrated multi-volt 12/24V LED control for monitoring of indicator light function, both ISO 13207 and older vehicles according to ECE R48 (optional)
- Compact – especially suitable for vehicles with limited installation space
- Can be used for both trailer and truck – uniform look
- The market's only tail light with adjustable IP69K license plate light
- ECE-, EMC- and ADR-certified
- IP69K rating

TM12 – right tail light



TM12 tail light – TRUCK variant

With adjustable license plate light. Used together with adapter cable *



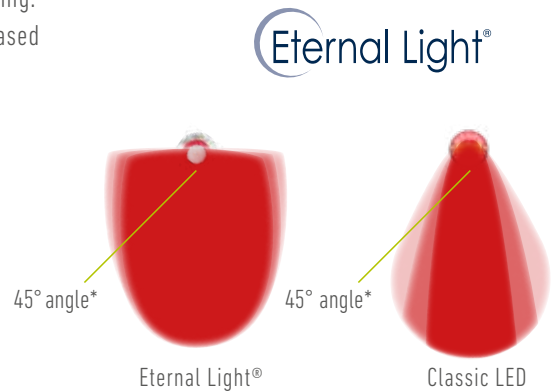
Impressive technology

The best choice

Eternal Light® lighting technology – increases traffic safety

ERMAX Eternal Light® technology is designed for the best possible SAFETY when driving. It offers the best possible homogeneous light function and has various advantages based on test results.

- Eternal light® is perceived by other road users earlier than classic LED lights or bulb lights.
- Contributes to reducing the number of accidents in connection with changing lanes and right turns.
- Gives a soft visuality when platooning. Prevents fatigue in case of long-lasting impact and thus also accidents.

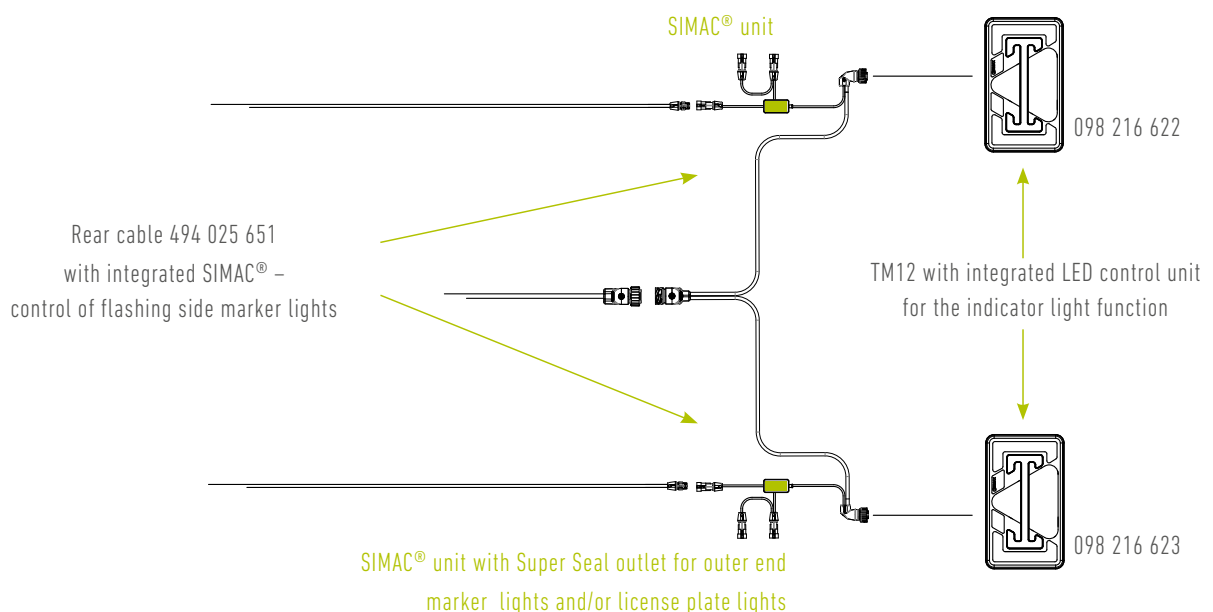


Newest technology for monitoring and controlling lighting functions

The use of the newest technology provides the possibility of an integrated LED control for monitoring the direction indicator light function in the ERMAX TM12 tail light. If monitoring of the stop light function or control of flashing side marker lights is required, ERMAX offers various innovative solutions, which can be intelligently connected as part of the cable system or as Plug-In solution.

- Integrated LED control in the tail lights for monitoring the indicator light function, which uses a technology that is not only limited to ISO 13207, but can be used for all types of vehicles* according to ECE R48.
- Intelligent SIMAC® control of flashing side marker lights according to ECE R48 integrated into the rear cable.

ERMAX cable system with SIMAC®



* Applies to all known brands in EU countries from 11/2019


Variants and functions

For every purpose


TM12 tail light	RH → LH ←	5-pole socket / M6 bolts	7-pole AMP socket / M8 bolts	Position Stop Dynamic indicator	Reverse	Rear fog	Reflex reflector	License plate	LED indicator failure control	Artikel no.
-----------------	--------------------	-----------------------------	---------------------------------	---------------------------------------	---------	----------	------------------	---------------	----------------------------------	-------------

15-pole front connection (ISO12098)

 * Adapter cable 994 002 065	←	✓		✓	✓*	✓	△	✓		098 216 615
	→		✓	✓	✓	✓	△			098 216 620
OBS - hole pattern slightly offset on variant with integrated license plate light										

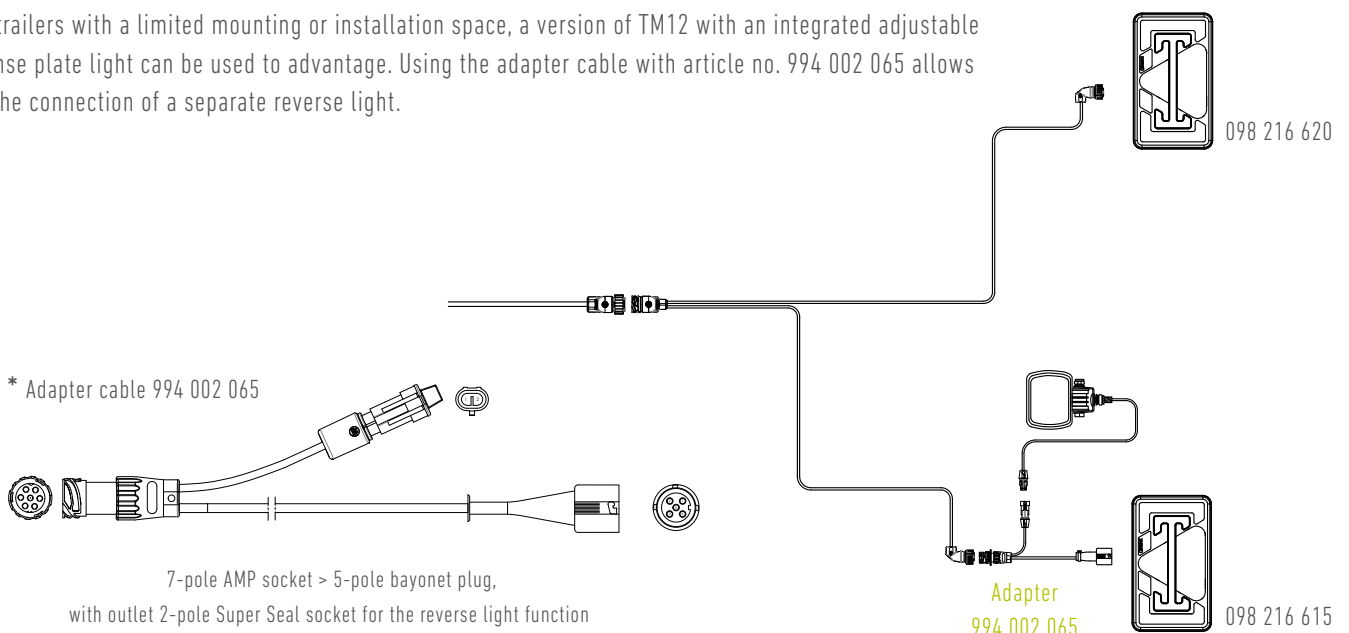
	→		✓	✓	✓	✓	△			098 216 620
	←		✓	✓	✓	✓	△			098 216 621
	→		✓	✓	✓	✓	△	✓		098 216 622
	←		✓	✓	✓	✓	△	✓		098 216 623

Truck variant

	→		✓	✓	✓	✓	□			098 216 630
	←		✓	✓	✓	✓	□			098 216 631

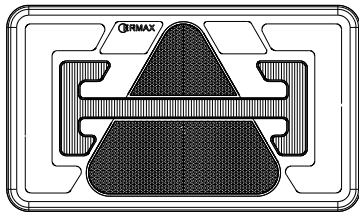
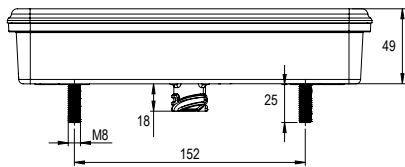
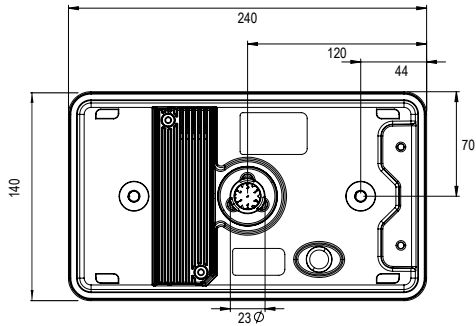
Combination of TM12 tail lights when integrated license plate light is needed

For trailers with a limited mounting or installation space, a version of TM12 with an integrated adjustable license plate light can be used to advantage. Using the adapter cable with article no. 994 002 065 allows for the connection of a separate reverse light.

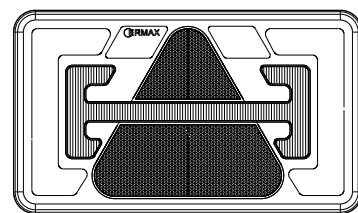
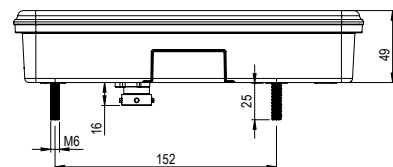
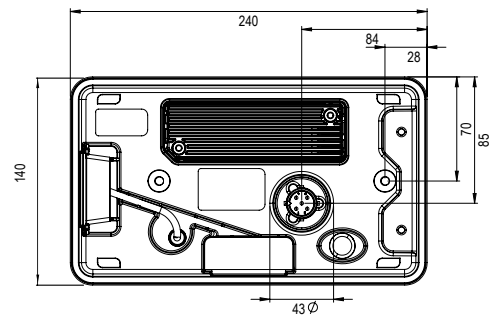


Drawings and dimensions

TM12 trailer variant with 7-pole socket
without license plate light

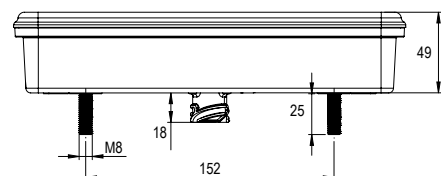
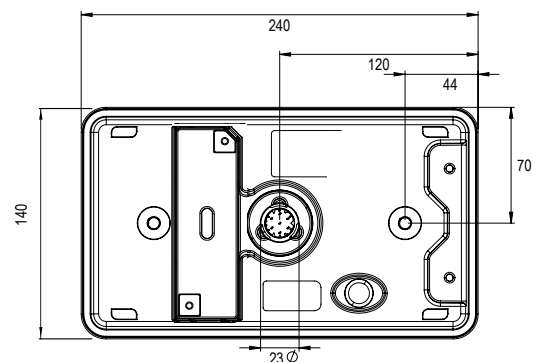
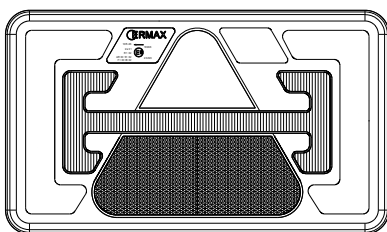


TM12 trailer variant with 5-pole socket
with license plate light



OBS - hole pattern slightly offset on this variant
with integrated license plate light

TM12 TRUCK variant with 7-pole socket
(without license plate light)



Spare parts and accessories



Pos. 1



Pos. 2



Pos. 3



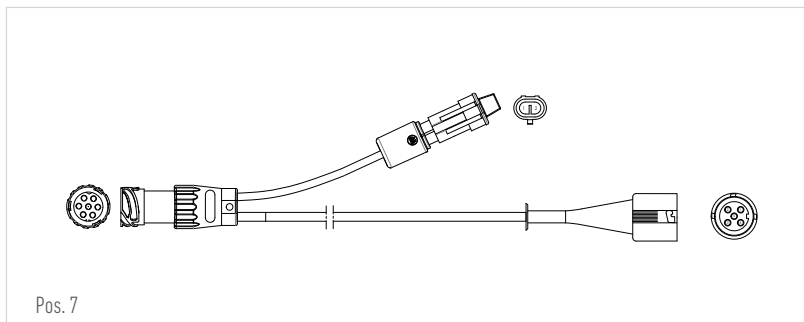
Pos. 4



Pos. 5



Pos. 6



Pos. 7

Spare parts and accessories

Bracket, angled, made of plastic – for mounting of outer end marker light Supplied with 2 pcs. stainless Torx screws – bolt hole distance of 77 mm	1	098 292 610
LED outer end marker light 12/24V, right / left – 300 mm connection cable with Super Seal plug	2	098 241 218
LLED outer end marker light 12/24V, right – 300 mm connection cable with Super Seal plug	3	098 241 448
LED outer end marker light 12/24V, left – 300 mm connection cable with Super Seal plug	3	098 241 449
Protection cover, plastic, for tail light – bolt hole distance of 152 mm	4	098 296 705
Protection cover – to be used on the TM12 tail light if the LED control unit is removed Tightens and protects the contacts of the LED control unit	5	098 296 700
LED control unit 12/24V for mounting on TM12 tail light for controlling of the indicator light Connection with 3 spring loaded contacts	6	098 298 149
Adapter cable 200 mm 7-pole AMP socket > 5-pole bayonett plug and outlet with 2-pole Super Seal socket for reverse light function To be used on tail lights with license plate light function on vehicles with 7-pole AMP connector	7	994 002 065

Die Marken der BPW Gruppe:



ERMAX®

HBN-Teknik A/S

HESTAL®

idem
telematics

June 2022 • Version 1.0

ERMAX®

ERMAX A/S
Vranderupvej 2 • DK-6000 Kolding
Tel. +45 3969 6800 • www.ermak.dk