



Junction boxes - The next generation

Excellent flexibility and product quality

The next generation of junction boxes

A new, modern and optimised junction box offering excellent flexibility

The new junction box from ERMAX

We have learned a great deal from our experience over the years with the well-known ERMAX junction box, but now is the time for a new generation and a more modern, significantly optimized junction box.

We are pleased to welcome the new generation of ERMAX junction boxes, offering lots of options and much greater flexibility. Of course, they are also super easy to fit and come with ADR approval and IP-Rating IP69K.

2 basic variants

At first glance, the new junction boxes look very similar to the old ones. And that was our intention. But they have undergone a series of improvements and optimisations to make an even safer, even more impact-resistant junction box.



Flat, compact variant



Tall variant



Variant with connection plug

A new generation of ERMAX junction boxes – Why ?

- 1 Optional connection system**
Flat or tall junction box with either terminal plate or removable terminal block.
- 2 Longevity and durability**
The junction box is made of polycarbonate, making it extremely stable and impact-resistant.
- 3 Flexibility**
Prepared connections outside the junction box are on short sections of cable – offers more flexibility on installation and less strain on the junction box.
- 4 Unique design**
Cast screw connections - by simply changing the rubber grommet, the cable dimension is adjusted.
- 5 Considerably more connection options**
All ISO 12098 connections are available and additional connections are possible because of the bigger box with more space.
- 6 Less prone to vibration**
Less sensitive to vibrations, as there are no plug connections directly on the junction box.
- 4 Easy to fit**
The fastening holes are outside the box, so the box does not need to be opened. Increase the tightness of the junction box. Mounting bracket can be mounted to hold the cover
- 6 Tested, top-notch quality**
All products are subject to our strict quality criteria and testing methods in order to guarantee excellent product quality.

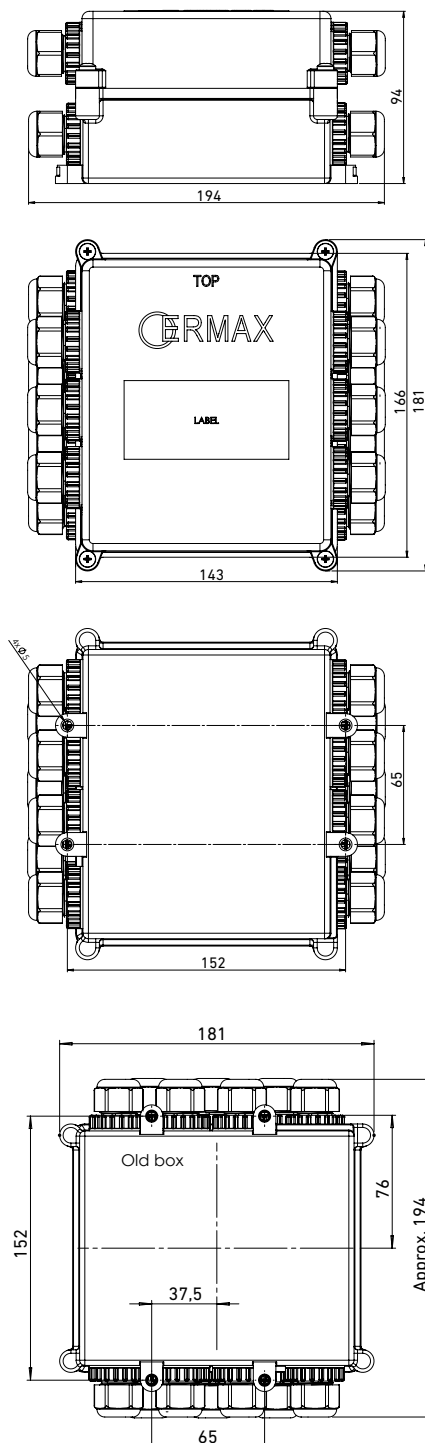
The next generation of junction boxes

What is the difference?

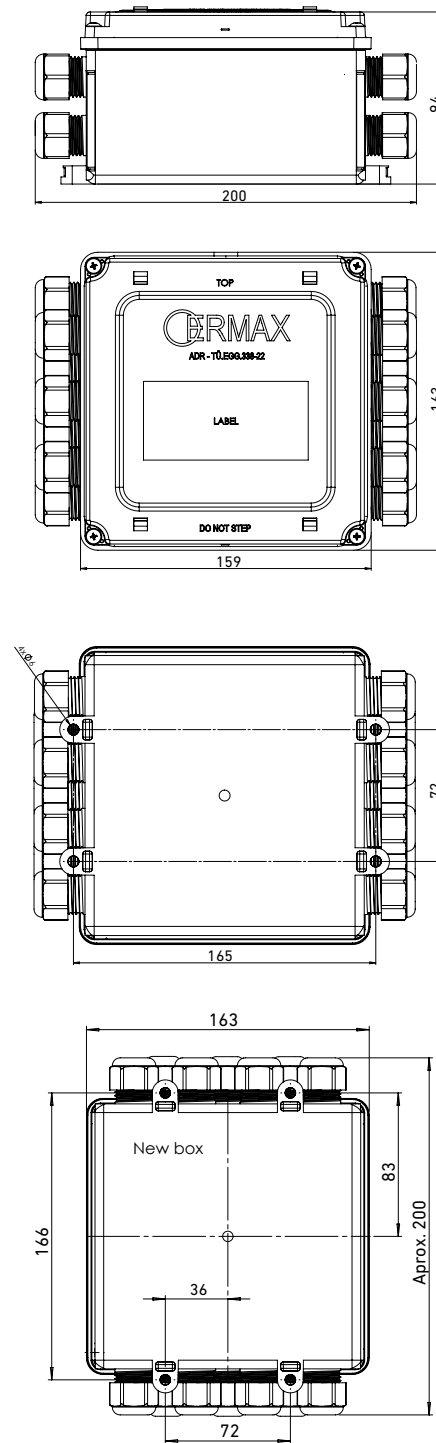
Size and hole pattern

- The new junction box is a little larger.
- The hole pattern has changed to 166.2 x 72 mm.

Previous box



New generation box



The next generation of junction boxes

What is the difference?

Plug connection

- Plug connections are fed out of the junction box with a short cable, which means the junction box can be adapted to virtually any connector types.
- The short cable with the connector makes connecting the junction box much simpler and more flexible.



Example - new box

Connection to terminal plate or terminal block

- 16 cables can be fed into the flat junction box
- 28 into the tall junction box.
- PG screw connections - 8 in the flat junction box
- 14 in the tall junction box.
- Same PG screw connection in all outputs. When replacing the rubber grommet, the PG screw connection is adjusted to the cable dimensions.
- Cable dimensions \varnothing 4-13 mm.



Terminal plate (fixed)

- 102 spade terminals are available.
- In addition to all ISO 12098 connections, there are 3 free groups.



Connection of terminal plate

Removable terminal block

- 115 spade terminals available on removable terminal block. All ISO 12098 connections are accessible.
- Connection with terminal block – here, there is access to fastening rails on the bottom of the box, where screws can be fitted anywhere in order to fit relays, fuse holders, additional terminal strips, etc.



Connection of terminal strip

Membrane for ventilation

- The membrane creates a perfect seal for the junction box so it withstands even immersion in water. Can still “breathe” without water ingress.



Membrane

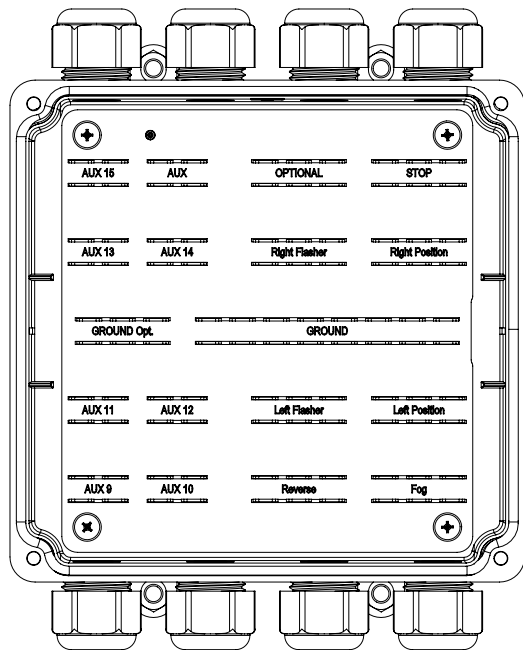
Locking brace

- Locking brace to hold the cover can be retrofitted.
- Available for flat and tall junction box.

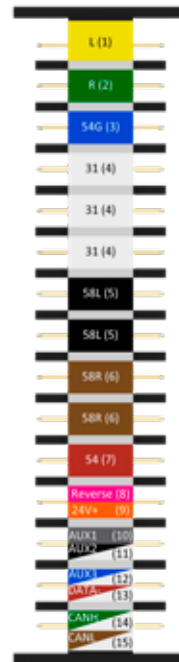


Pin assignment

Connection ISO 12098 pin numbers / Number of spade terminals 6.3 x 0.6 mm



Terminal plate



Terminal block



	Position	Description	Pieces available on terminal plates	Pieces available on terminal block
ISO 12098	1	Left indicator	6 pcs.	8 pcs.
	2	Right indicator	6 pcs.	8 pcs.
	3	Rear fog light	6 pcs.	8 pcs.
	4	Mass (-)	16 pcs.	21 pcs.
	5	Left position	6 pcs.	14 pcs.
	6	Right position	6 pcs.	14 pcs.
	7	Brake light	6 pcs.	8 pcs.
	8	Reversing light	6 pcs.	4 pcs.
	9	Power supply, continuous positive	4 pcs.	4 pcs.
	10	AUX 1, wear display	4 pcs.	4 pcs.
	11	AUX 2, brake control for trailer	4 pcs.	4 pcs.
	12	AUX 3, lifting axle	4 pcs.	4 pcs.
	13	Mass for PINs 9-15 (ISO12098)	4 pcs.	4 pcs.
	14	CANH - data communication	4 pcs.	4 pcs.
	15	CANL - data communication	4 pcs.	4 pcs.
Additional groups		Mass (-) optional	6 pcs.	--
		AUX	4 pcs.	--
		Optional	6 pcs.	--

The next generation of junction boxes

Examples of universal and through-flow boxes



099 864 100



099 864 500

Universal box – with terminal plate

IP69K 

Version	Input	Output	Previous article number	New article number
Flat	1 x PG Ø13-11 mm	1 x PG Ø7-11 mm / 2 x PG Ø4-6 mm 4 x PG Ø2-5,5 mm	099 866 700	099 864 100
High	1 x PG Ø13-11 mm	4 x PG Ø7-11 mm / 8 x PG Ø4-6 mm 1 x PG Ø2-5,5 mm	099 866 750	099 864 500



099 864 651

Universal box – with clamping bracket and removable terminal strip

IP69K 

Version	Input	Output/Connections	Previous article number	New article number
High	1 x PG Ø11-13 mm	6 x PG Ø4-6 mm 7 x PG with 2 x Ø5.5 mm	099 865 028	099 864 651



099 864 151



099 864 150

Through-flow box – with terminal plate

IP69K 

Version	Input	Output/Connections	Previous article number	New article number
Flat	15-pin bayonet socket	15-pin bayonet plug and 2 x Super-Seal	099 866 740	099 864 151
Flat	15-pin bayonet socket	15-pin bayonet plug	099 866 745	099 864 150

Examples of universal and tail junction boxes



099 864 110



099 864 510



099 864 113



099 864 501



099 864 531



099 869 501



099 869 506

Tail junction box – with terminal plate

IP69K

Version	Input	Output/Connections	Previous article number	New article number
Flat	15-pin bayonet socket	2 x 7-pin AMP-socket 4 x Super-Seal	099 866 710	099 864 110
High	15-pin bayonet socket	2 x 7-pin AMP socket 6 x Super-Seal	099 866 760	099 864 510
Flat	15-pin bayonet socket	2x1 - 7-pin AMP plug on 1,300 mm cable	099 866 713	099 864 113
High	15-pin bayonet socket	--	099 866 751	099 864 501
High	15-pin bayonet socket	2x3 - 7-pin AMP socket	099 866 781	099 864 531
High	15-pin bayonet socket	2 x Super-Seal (SIMAC)	099 869 751	099 869 501
High	15-pin bayonet socket	2 x Super-Seal (SIMAC) 6 x Super-Seal (SIMAC)	099 869 756	099 869 506

Brands of the BPW Group:



December 2022 • Version 1.0



ERMAX A/S
Vranderupvej 2 • DK-6000 Kolding
Tel. +45 3969 6800 • www.ermak.dk